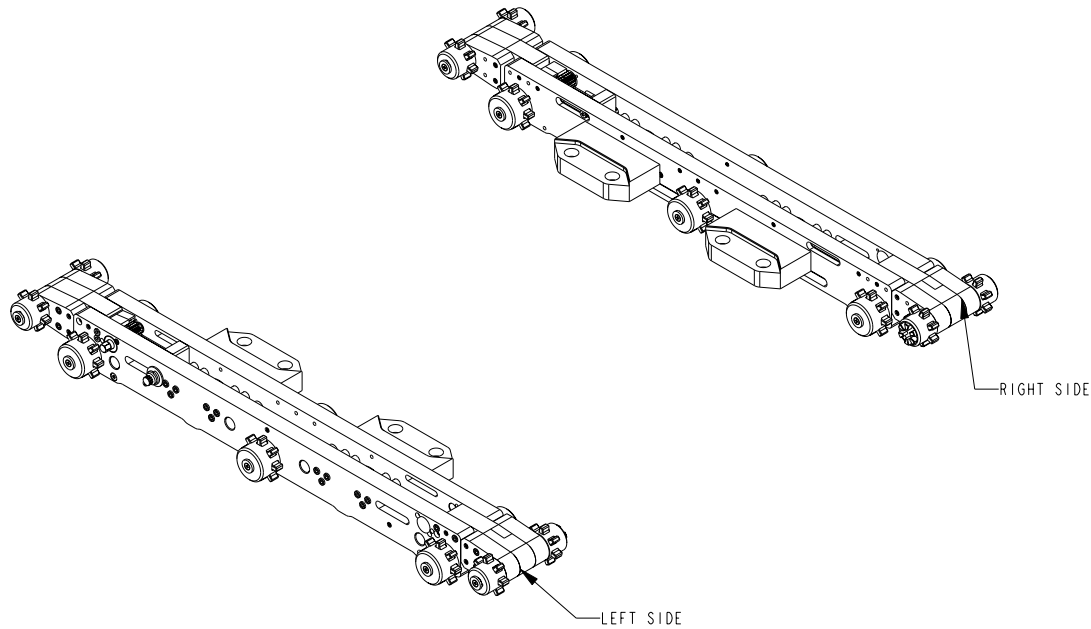


NOTES:  
 1. RAIL ASSEMBLY SHOULD YIELD A LEFT AND RIGHT SIDE



**BILL OF MATERIAL (CURRENT LEVEL)**

| ITEM | PT/ASSY | DESCRIPTION                                | TYPE | QTY. |
|------|---------|--|------|------|
| 1    | 22422   | TUG SHAFT RETAINER                         | PART | 18   |
| 2    | 22531   | T2 SPROCKET                                | PART | 12   |
| 3    | 22603   | T2 AXLE                                    | PART | 8    |
| 4    | 23454   | T2 INSIDE RAIL PLATE                       | PART | 2    |
| 5    | 23455   | T2 OUTSIDE RAIL PLATE                      | PART | 2    |
| 6    | 23456   | T2 FIXED SLIDER                            | PART | 2    |
| 7    | 23457   | T2 ADJ SLIDER                              | PART | 2    |
| 8    | 23459   | T2 ALUM RAIL SPACER                        | PART | 24   |
| 9    | 23461   | T2 RAIL ROLLER                             | PART | 4    |
| 10   | 23463   | T2 ROLLER SHAFT                            | PART | 4    |
| 11   | 23467   | T2 PINION                                  | PART | 2    |
| 12   | 23468   | T2 RACK                                    | PART | 2    |
| 13   | 23552   | T2 STAINLESS BUSHING                       | PART | 2    |
| 14   | 23559   | 7 TOOTH T2 DRIVE SPROCKET                  | PART | 6    |
| 15   | 23560   | RAIL DRIVE END C'BORE                      | PART | 4    |
| 16   | 23561   | RAIL DRIVE END C'BORE                      | PART | 4    |
| 17   | 23562   | FIXED SLIDER DRIVE END                     | PART | 2    |
| 18   | 23862   | RAIL LOCKING BLOCK INSERT                  | PART | 2    |
| 19   | 23863   | RAIL LOCKING BLOCK GUIDE                   | PART | 2    |
| 20   | 23864   | RAIL LOCKING BLOCK SPACER                  | PART | 2    |
| 21   | 24515   | T2V3 RAIL SUPPORT                          | PART | 4    |
| 22   | 24518   | T2V3 OUTPUT SHAFT                          | PART | 2    |
| 23   | 24520   | 7 TOOTH T2V3 DRIVE SPROCKET                | PART | 2    |
| 24   | 91179   | .510"ID X .605"OD X .04" WASHER            | PART | 2    |
| 25   | 91225   | 7/16" SS FLAT WASHER                       | PART | 2    |
| 26   | 91226   | 7/16" SS LOCK WASHER                       | PART | 2    |
| 27   | 92201   | 1/8" X 5/8" ROLL PIN                       | PART | 1    |
| 28   | 92206   | 7/16"-14 X 2" 12 PT BOLT                   | PART | 2    |
| 29   | 95026   | 1/8" SQ. X .400"L KEY STOCK                | PART | 20   |
| 30   | 95092   | 10-32 X 3/8" FLAT HEAD                     | PART | 18   |
| 31   | 95154   | 5/16" X 2"L SHOULDER SCREW                 | PART | 2    |
| 32   | 95179   | 5/8" BALL BEARING                          | PART | 20   |
| 33   | 95273   | 1/4"-20 X 1.75"L SOCKET CAP                | PART | 4    |
| 34   | 95287   | 0.24" X 0.5" COMP SPRING                   | PART | 2    |
| 35   | 95308   | BALL BEARING 1-3/8" OD 5/8" SHAFT ASSEMBLY | PART | 8    |
| 36   | 95321   | 10-24 X 3/8"L SOCKET CAP SCREW             | PART | 4    |
| 37   | 95375   | 5/16"DIA X 3/4" L SHOULDER BOLT            | PART | 2    |
| 38   | 95376   | 1/4"-20 X 3.5" L CAP SCREW                 | PART | 24   |
| 39   | 95378   | 1/4"-20 X 2.5" L CAP SCREW                 | PART | 12   |

*A Touch of Brass*  
 A TOUCH OF BRASS INC

13832 MAGNOLIA AVE.  
 CHINO, CA 91710-7027  
 909-464-1000

**T2V3 RAIL ASSEMBLY**

DWG. NO. **02623**

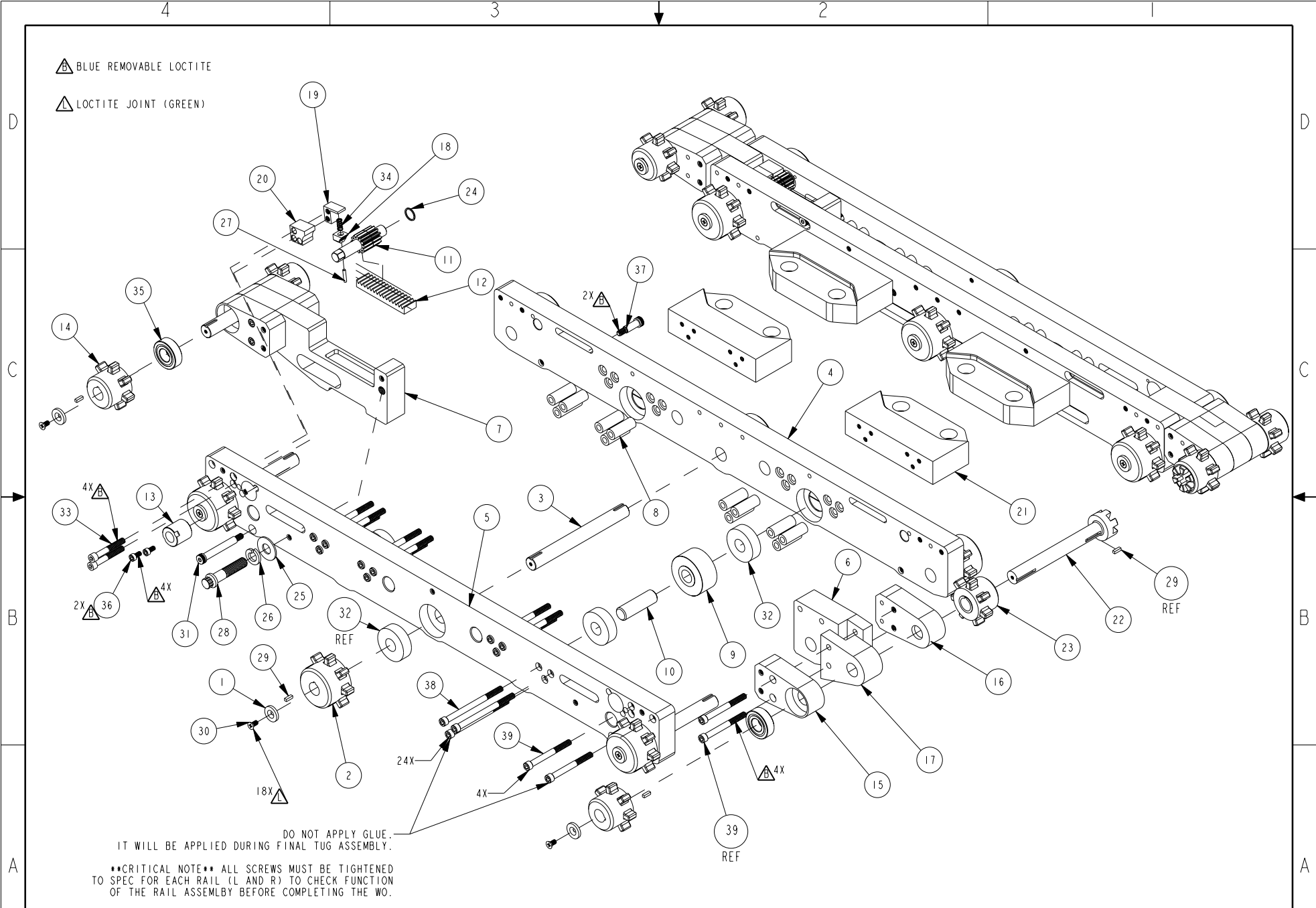
REV **B**

UNLESS OTHERWISE SPECIFIED, DIMENSIONS ARE IN INCHES.

SCALE 0.100

APPR.

SHEET 1 OF 2



*A Touch of Brass*  
A TOUCH OF BRASS INC

13832 MAGNOLIA AVE.  
CHINO, CA 91710-7027  
909-464-1000

T2V3 RAIL ASSEMBLY

|                |       |              |   |
|----------------|-------|--------------|---|
| DWG. NO. 02623 |       | REV B        | UNLESS OTHERWISE SPECIFIED, DIMENSIONS ARE IN INCHES. |
| SCALE 0.175    | APPR. | SHEET 2 OF 2 |   |