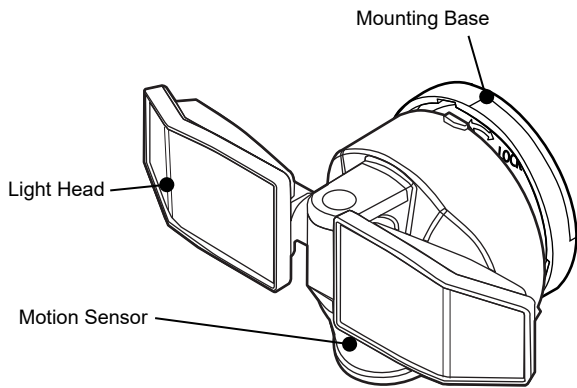
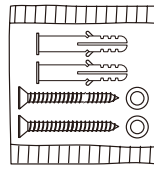


NiteSafe™ X2 Twin Security Floodlight



Items Required



Hardware Kit - Included
(Actual hardware may differ from illustration)



Phillips Head
Screwdriver



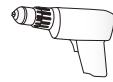
Step Ladder



Safety Goggles



Hammer



Drill

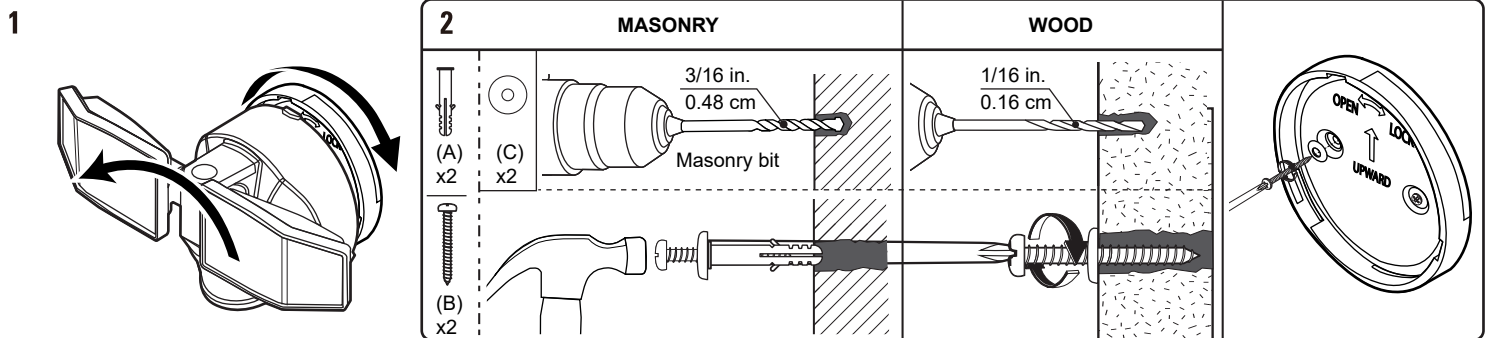


3/16" or 1/16" Drill bit

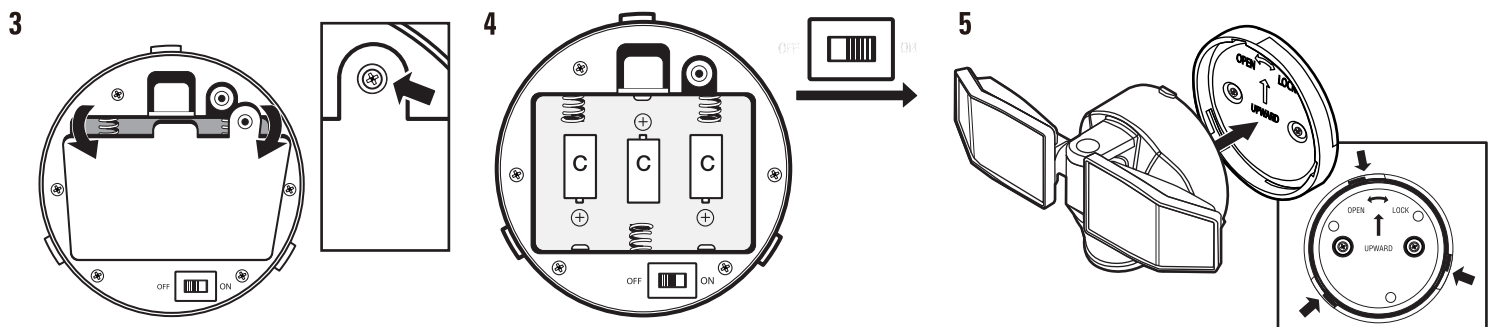
Warnings & Cautions

- LEDs can be damaged by electrostatic discharge (ESD) shock. Before installation, discharge yourself by touching a grounded bare metal surface to remove this hazard. To avoid damage, do not remove the clear lens over the LED module.
- NOT FOR EAVE MOUNTING ONTO PERFORATED EAVE MATERIAL. Doing so can allow water to seep into the fixture canopy.

Installation

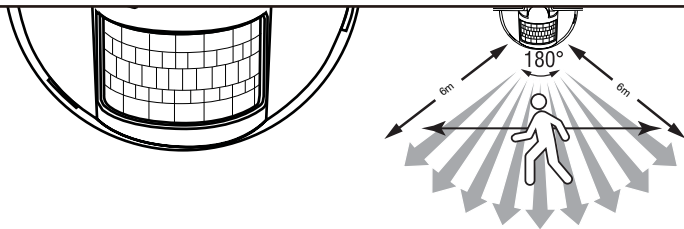


- Remove the mounting plate by turning counterclockwise until it comes loose.
- Locate the open holes for mounting at the middle of the mounting plate and drill a pilot hole in the centre. If mounting onto brick or masonry then use the 3/16in. drill bit to make a hole and place the raw plugs (A) in the pilot holes and hammer them into place until flushed with the surface of the masonry. Place the washer (C) over the mounting hole and drive the long screws (B) into the masonry anchor until it is snug. DO NOT OVERTIGHTEN. If mounting onto a wood surface then use the 1/16in. drill bit and use the wood screws (B) and washers (C) provided to secure the mounting plate.



- Remove the screw on the battery compartment cover. Remove the battery compartment cover.
- Insert 3 new alkaline C cell batteries (not included) into the battery compartment and orient them with the "+" and "-" markings on the back of the battery compartment. Re-attach the battery compartment cover by aligning the legs on the lower edge of the battery compartment cover onto the fixture body and close the cover until the catch at the top engages. Re-attach the screw. When ready to use, turn the switch, located below the battery compartment to "ON". There will be an approximate 15 second delay for the fixture to light up, even if there is motion. This will occur every time the fixture is turned "OFF" and back "ON" at the switch or the batteries are changed. Do not mix old and new batteries. Cold weather may have a negative impact on battery life.
- Attach the security light to the mounting plate by positioning the security light over the mounting plate at an angle. Engage the security light into the grooves of the mounting base and secure by twisting clockwise until the security light is seated vertically.

Motion Sensor

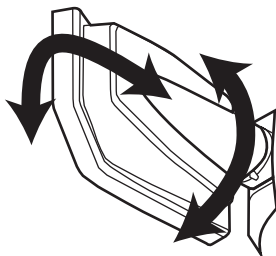


The light turns on when the motion sensor detects movement. Sensor detects motion up to 6m. The 180° coverage of the motion sensor is measured side-to-side. The sensor is more effective from side-to-side, rather than motion coming straight at it. The fixed timer is 15 seconds meaning the lights will stay on for approximately 15 seconds after detecting movement (only during the hours of darkness).

Extreme hot or cold weather could affect the performance of the built-in sensors that detect body heat. Certain winter clothing can shield a person's body heat from the sensor during extreme cold weather. During extreme hot weather, the sensor may not be able to distinguish the difference between normal body temperatures and the surrounding high temperatures. The sensor will begin working normally once weather conditions return to normal.

Light Orientation

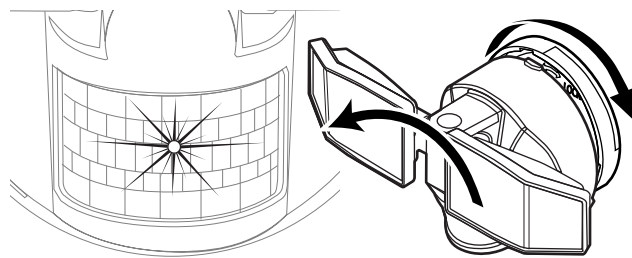
The individual light heads can be adjusted up/down and left/right to aim the light heads in the desired direction.



Troubleshooting Guide

Problem	Cause	Solution
Security light does not come on	<ol style="list-style-type: none"> 1. ON/OFF switch is not set correctly 2. Batteries are defective or depleted 3. Batteries are installed wrong 4. Battery compartment cover is loose 5. It is daylight 6. Movement is taking place outside of the motion sensor detection area 	<ol style="list-style-type: none"> 1. Slide switch to ON position 2. Replace the batteries 3. Reinstall the batteries correctly 4. Check battery compartment cover to ensure it is closed and secured with the screw 5. Light is operating as it was designed. Recheck at night or move fixture to a darker area 6. Move fixture within the desired detection area
Light continuously cycles ON and OFF (strobe effect)	<ol style="list-style-type: none"> 1. Light sensor is triggered by reflected light from the security light itself 2. Heat is being reflected from other sources and may be triggering sensor on and off 	<ol style="list-style-type: none"> 1. Change the position of the light heads, aiming light away from the reflecting surfaces 2. Remove heat source from detection zone or move fixture to new location
Light turns on during daylight hours	<ol style="list-style-type: none"> 1. Light may be installed in shadows/dark area 	<ol style="list-style-type: none"> 1. Light is operating as it was designed
Light comes on for no apparent reason	<ol style="list-style-type: none"> 1. Sensor may be triggered by a small animal or passing car 2. Hot air (dryer vent, car exhaust etc) may be triggering the sensor 	<ol style="list-style-type: none"> 1. Light is operating as it was designed 2. Remove heat source from detection zone or move fixture to a new location
Light stays on continuously	<ol style="list-style-type: none"> 1. Motion sensor may be picking up a continuous flow of warm air from an air vent, dryer vent or heat reflecting off a surface 	<ol style="list-style-type: none"> 1. Remove heat source from detection zone or move fixture to a new location

Battery Replacement



Low battery warning light (red glow inside the PIR) only stays on for 30 minutes. Use only alkaline batteries for replacement.

Remove the mounting base by turning counterclockwise until it comes loose. Then replace batteries as needed.

Care and Maintenance

IMPORTANT: Periodically clean the fixture using a mild, non-abrasive cleaner and soft cloth. Do not use solvents or cleaners containing abrasive agents. When cleaning the fixture, make sure the power is turned off. Do not spray cleaner directly onto any part of the fixture or LEDs.