

## DESCRIPTION

Computer-designed optics and precise aiming make the Eagle XL the right choice for amateur or professional sports facilities. U.L. listed for wet locations. CSA certified.

<b>Catalog #</b>		<b>Type</b>
<b>Project</b>		
<b>Comments</b>		<b>Date</b>
<b>Prepared by</b>		

## SPECIFICATION FEATURES

### Construction

**AIMING QUADRANT:** Vertical aiming quadrant with repositioning stop combines with horizontal aiming protractor to allow pre-aiming while pole is on the ground.  
**SOCKET HOUSING:** Die-cast socket housing has silicon gasket to keep out contaminants.

### Electrical

**BALLAST HOUSING:** Rugged aluminum ballast housing is finished in corrosion-resistant dark bronze polyester powder coat.  
**BALLAST COMPARTMENT:** Ballast/capacitor compartment provides cooler operation and extended component life.

### Optical

**REFLECTOR:** Computer-designed spun-aluminum reflector produces repeatable beam distribution.  
**LENS:** 1/8" tempered, heat- and shock-resistant lens sealed with closed-cell neoprene gasketing protects optics from dust and contaminants and is hinged for easy access.

### Efficiency Standards Notice

Select luminaires are manufactured to USA and California efficiency regulations. Ordering information for these territories is provided. The installer is responsible for installation to comply with these regulations.



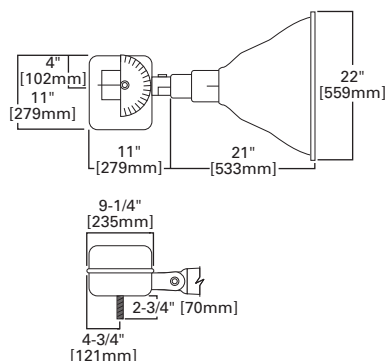
## XL EAGLE

**1000W**

**High Pressure Sodium  
Pulse Start Metal Halide**

**SPORTS FLOODLIGHTING**

## DIMENSIONS



### TECHNICAL DATA

U.L. Wet Location Listed  
 CSA Certified  
 EISA Compliant ©

### ENERGY DATA

**CWA Ballast Input Watts**  
 1000W HPS HPF (1100 Watts)  
 1000W MP HPF (1080 Watts) ©

### EPA

**Effective Projected Area:** 2.45

### SHIPPING DATA

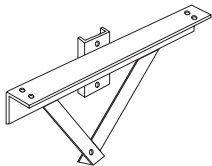
**Approximate Net Weight:**  
 45 lbs. (20 kgs.)



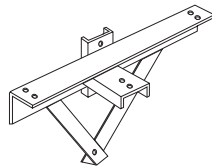
**PHOTOMETRICS**

Lamp Wattage	Lamp Type	NEMA Beam Type	Beam Spread H x V	Definition of NEMA Beam Type Classifications	
			Type	Beam Spread	
1000	High Pressure Sodium	3	44° x 44°	2	18° up to 29°
1000	High Pressure Sodium	4	62° x 62°	3	29° up to 46°
1000	High Pressure Sodium	5	100° x 100°	4	46° up to 70°
1000	High Pressure Sodium	6	106° x 106°	5	70° up to 100°
1000	Pulse Start Metal Halide	2	27° x 27°	6	100° up to 130°
1000	Pulse Start Metal Halide	3	40° x 40°		
1000	Pulse Start Metal Halide	4	70° x 70°		
1000	Pulse Start Metal Halide	5	74° x 74°		
1000	Pulse Start Metal Halide	6	110° x 110°		

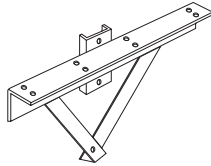
**MOUNTING ACCESSORIES (MOUNTING HARDWARE NOT INCLUDED)**



**S2C2WP (EPA .9)**  
Two-in-line crossarm



**S3C3WPM (EPA 3.6)**  
Three-in-line offset crossarm



**S4C4WP (EPA 4.5)**  
Four-in-line crossarm

**ORDERING INFORMATION**

Sample Number: HPXL-T3-1000-MT

Lamp Type <sup>1</sup>	Product Family	Distribution	Lamp Wattage <sup>1</sup>	Voltage <sup>3,4</sup>	Options (Add as Suffix)	Accessories (Order Separately)
HP=High Pressure Sodium <sup>2</sup> MP=Pulse Start Metal Halide	XL=Eagle	T2=Type II T3=Type III T4=Type IV T5=Type V T6=Type VI	1000=1000W	120V=120V 208V=208V 240V=240V 277V=277V 347V=347V 480V=480V MT=Multi-Tap, wired 277V <sup>5</sup> TT=Triple-Tap, wired 347V <sup>6</sup>	C3=3' Cord with No Plug (Specify Voltage) <sup>7</sup> F1=Single Fuse (120, 277 or 347V Only) F2=Double Fuse (208, 240 or 480V Only) LL=Lamp Included <sup>8</sup>	S/XL=Slipfitter Mount, Field Installed (Fits 2-3/8" O.D. Pipe) VS/XL=Vandal Shield HD/XL=Heavy-Duty Shroud TV/XL=Top Visor S2C2WP=Two-In-Line Crossarm for Wood Pole (EPA .9) S3C3WPM=Three-In-Line Offset Crossarm for Wood Pole (EPA 3.6) S4C4WP=Four-In-Line Crossarm for Wood Pole (EPA 4.5) WB/XL=Wood Crossarm Bolt

**NOTES:**

- All lamps are mogul-base. Lamp not included.
- Not available in T2 Distribution.
- Products also available in non-US voltages and 50Hz for international markets.
- EISA or CEC compliant ballasts are not required in 347V and not available with triple-tap ballasts that consists of 120V/277V/347V and wired 347V.
- Multi-Tap ballast 120/208/240/277V wired 277V.
- Triple-Tap ballast 120/277/347V wired 347V.
- Specify desired length in unit of feet, example, C6 for 6' cord.
- Lamp is shipped separate from luminaire. Lamp is Eaton designated product based on luminaire requirements. Specified lamp must be ordered as a separate line item.

**STOCK SAMPLE NUMBER: (NO REFLECTOR - BALLAST POD ONLY)**

Sample Number: MPXL -3-1000-MT

Lamp Type	Series	Distribution	Lamp Wattage	Voltage
MP=Pulse Start Metal Halide	XL=Eagle XL	3=Type III 4=Type IV 5=Type V 6=Type VI	1000=1000W	MT=Multi-Tap

**NOTE:**

Options not available with stock products. Order Accessories as separate items for field installation. Refer to standard ordering information to add options and accessories. Refer to In-Stock Guide for availability.

**STOCK SAMPLE NUMBER: (INCLUDED REFLECTOR AND DOOR)**

Sample Number: MPXL -T4-1000-480V

Lamp Type	Series	Distribution	Lamp Wattage	Voltage
MP=Pulse Start Metal Halide	XL=Eagle XL	T4=Type IV T5=Type V	1000=1000W	480V=480V

**NOTE:**

Options not available with stock products. Order Accessories as separate items for field installation. Refer to standard ordering information to add options and accessories. Refer to In-Stock Guide for availability.