



Catalog Number	
Project	Type

FEATURES & SPECIFICATIONS

APPLICATION — The TH series of tenon adaptors were designed to adapt an existing vertical 2-3/8" OD tenon to provide one or more horizontal 2-3/8" OD tenon sto allow mounting of a fixture via an adjustable slip fitter (2AF).

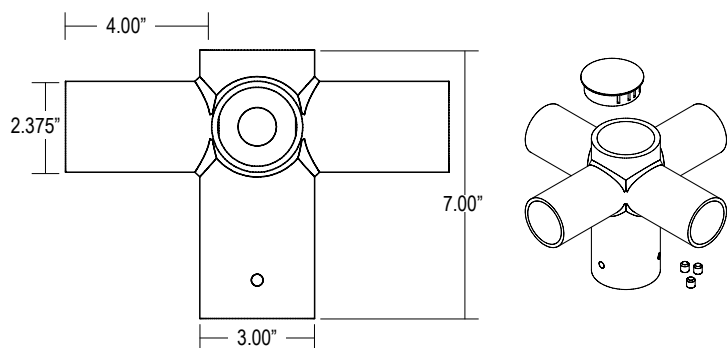
CONSTRUCTION — The heavy duty tenon is constructed of aluminum tubing. Stainless steel hardware and top cap provided.

FINISH — A Super Durable Polyester powder coat finish is electrostatically applied in our state of the art paint facility. Standard colors available: Black, Bronze, US Green, White. Custom colors available upon request.



Horizontal Tenon Adaptors

TH



TH490 shown. All tenon configurations conform to the same tubing and tenon dimensions.

ORDERING INFORMATION

Choose the bold face options for the appropriate luminaire configuration for your application and enter on the line above each fixture attribute. Accessories may be factory installed, depending on the particular accessory chosen, but still be ordered as a separate line item.

Example: **TH290-BZ**

TH		Finish	
Series	Tenon Configuration		
TH	190 1 Tenon	BK Black	
	290 2 Tenons at 90°	BZ Bronze	
	2180 2 Tenons at 180°	GR US Green	
	390 3 Tenons at 90°	WH White	
	3120 3 Tenons at 120°	SP Special ¹	
	490 4 Tenons at 90°		

NOTES

¹ Custom RAL color matching is available. Contact your Techlight sale representative for additional information.