

3/15/2017

Limited Quantities Available

Medium Cutoff Wallpack

HPS / 150 watts

Applications

Ideal for lighting parking facilities, entry ways, perimeters, pathways, and underpasses

Features

- Die-cast aluminum housing with hinged door frame (lamp included)
- Textured bronze finish with Borosilicate molded glass lens
- 1/2" conduit access, sides, top, or rear knockouts
- Dark Sky compliant,, photocell adaptable and UL listed for wet locations

Project:	
Catalog#:	
Approved by:	



HID/CFL Fixtures

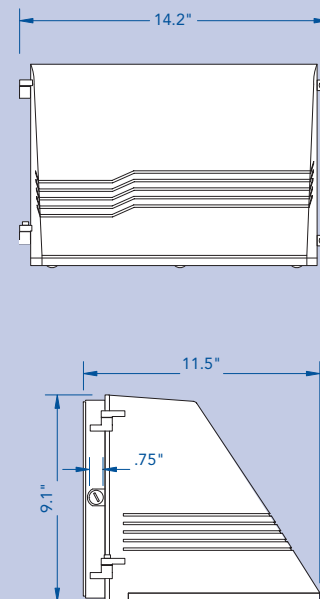
ORDERING INFORMATION

Catalog #	Watts	Volts †	Ballast	ANSI	Lamp Part #
MCWP-150-HPS-120	150 HPS	120	R-NPF	S55	LU150/55/MED

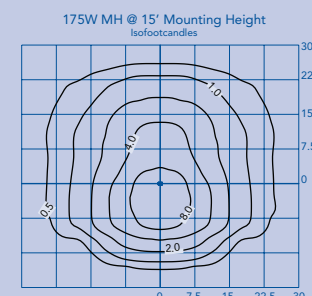
ACCESSORIES (sold separately)

Catalog #	Description
BPC120	Button photocell - 120v
BPC208/277	Button photocell - 208 or 277v

DIMENSIONS



PHOTOMETRICS



† 120 = 120 volts

Specifications subject to change without notice.

