

PENDANT LIGHT

QUESTIONS OR CONCERNS CONTACT CANARM AT:

1-800-265-1833 (English) 1-800-567-2513 (French) / Monday through Friday 8:00 AM to 5:00 PM E.S.T.

"INSTRUCTIONS PERTAINING TO RISK OF FIRE OR INJURY TO PERSONS"
"READ ALL INSTRUCTIONS"

"IMPORTANT SAFETY INSTRUCTIONS"
"SAVE THESE INSTRUCTIONS"

TOOLS AND MATERIALS REQUIRED:



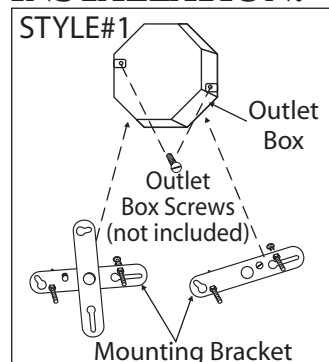
Wiring supplies as required by electrical code



SAFETY PRECAUTIONS:

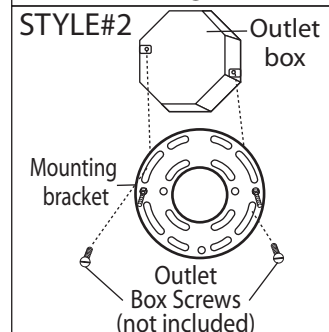
1. TURN OFF ELECTRICAL POWER BEFORE STARTING INSTALLATION OF LIGHT FIXTURE.
2. THIS PRODUCT MUST BE INSTALLED IN ACCORDANCE WITH THE APPLICABLE INSTALLATION CODE BY A PERSON FAMILIAR WITH THE CONSTRUCTION AND OPERATION OF THE PRODUCT AND THE HAZARDS INVOLVED.
3. FIRMLY ATTACH THE FIXTURE GROUND WIRE (BARE COPPER) TO THE MOUNTING BRACKET WITH THE GROUND SCREW (BY WRAPPING AROUND THE GROUND SCREW) AND THEN CONNECT IT TO THE HOUSE SUPPLY GROUND WIRE WITH A WIRE NUT.

INSTALLATION: NOTE: Product May Not Look Exactly As Shown In Figures.

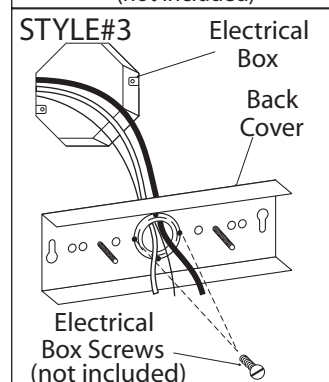


1. **NOTE:** Refer to the style of assembly that matches the style of your fixture.

Style#1-2: Mount the mounting bracket to outlet box using outlet box screws (not included). Make sure the studs or nipple on the mounting bracket are facing out from the outlet box.



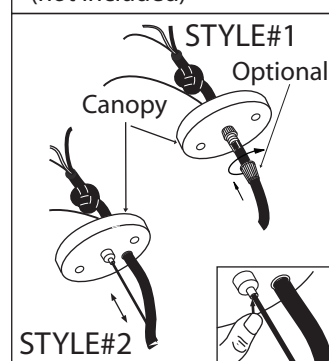
Style#3: Feed power cords from the outlet box through the centre hole of the back cover. Align holes of back cover over outlet box and secure with outlet box screws (not included).



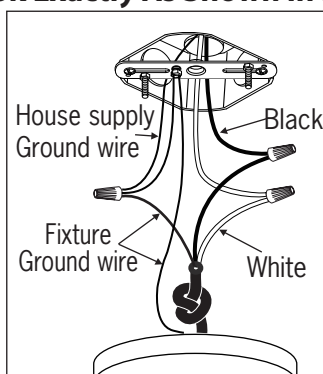
NOTE: Make sure the back cover is level before tightening the screws.

2. **Adjusting the length of flexible cord. For safety, do not release the knot inside canopy.**

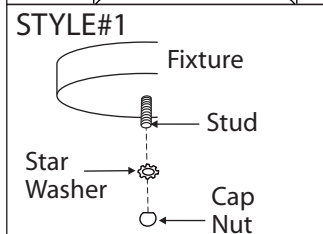
Style#1: Loosen the plastic screw for adjusting the length of flexible cord. Re-tighten plastic screw after adjusting. (This plastic screw is available in some models.)



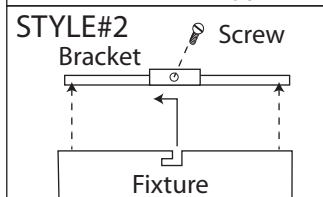
Style#2: Adjust the height of the fixture by pushing the button. Ensure the cord does not touch the light bulb (s) when adjusting the height of the fixture or the steel cable (s).



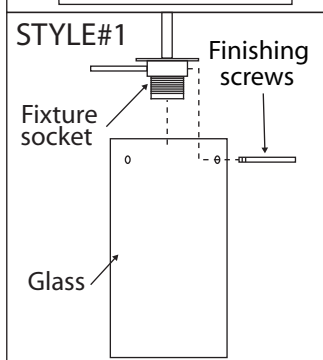
3. Firmly attach the fixture ground wire (bare copper) to the mounting bracket with the ground screw (by wrapping around the ground screw) and then connect it to the house supply ground wire with a wire nut. Connect the black wire (or wire marked "SPT-1") from the fixture to the black wire in the electrical box and connect the white wire from the fixture to the white wire in the electrical box.



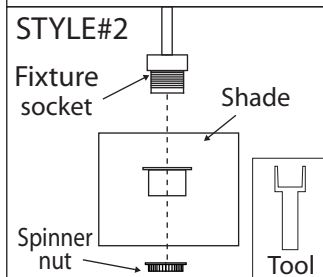
4. Once connections of wires are completed, carefully tuck wires and wire nuts into the outlet box making sure no bare wire (on the black and white) is visible at the wire nuts.



5. **Style#1:** Tuck electrical wires into outlet box and position fixture over studs or nipple on mounting bracket assembly. Secure fixture in place with star washer(s) and cap nut(s).



Style#2: Insert one screw into the mounting bracket - do not tighten yet. Tuck electrical wires into outlet box and position fixture over the mounting bracket. Line up the screw in the bracket to to the "7" hole on the fixture. Slide fixture to secure in place. Insert remaining screw. Tighten both screws to secure.



6. **Style#1:** Remove the finishing screws that are already on your fixture. Position glass in place and secure with finishing screws.
Style#2: Remove spinner nut from socket. Position shade on lamp and secure with spinner nut.

7. Install proper bulb type and wattage (not included).