

8/23/2017

**4 Lamp
Standard Ballast Factor
Multi-volt**

Project:	
Catalog#:	
Approved by:	

Meets DOE energy conservation standards

Features

- Line Voltage: 120-277V 50/60Hz
- Hybrid Lamp Operation
- Lamp End of Life Protection
- Program Start
- Active Power Factor Correction
- Type CC

Performance

- Meets ANSI Standard C82.11-2002
- Meets ANSI Standard C62.41-2002
- Meets FCC 18 Non CONSUMER Limits

Safety

- No PCB'S, Type HL
- UL & cUL listed (Class P, Type 1 Outdoor)
- OCV 600V

Application

- Maximum Ambient Temperature 131°F, 55°C
- Sound Rated : A
- Maximum case temperature Tc 194°F, 90°C
- Remote Mounting : 18ft. max. Lead length, 18AWG

Electronic Fluorescent Ballast

T5 Programmed Start Series Lamp Operation

Lamp Type	Lamp No.	Rated Lamp Watts	Min. Start Temp. (F/C)	Input Voltage (V)	Input Current (A)	Input Power (W)	THD ≤%	PF ≥	BF	CF ≤	BEF	BLE
* F54T5/HO	4	54	-20/-29	120	1.90	228	10	0.98	0.93	1.70	0.42	0.911
FT55W/2G11	4	55	-20/-29	120	1.90	226	10	0.98	0.91	1.70	0.38	--
CFT50W/2G11	4	50	-20/-29	120	1.60	200	10	0.98	1.15	1.70	0.57	--
F54T5/HO/EA	4	49	-20/-29	120	1.78	214	10	0.98	0.97	1.70	0.45	--
* F54T5/HO	3	54	-20/-29	120	1.50	176	10	0.98	1.03	1.70	0.58	--
FT55W/2G11	3	55	-20/-29	120	1.50	170	10	0.98	0.93	1.70	0.53	--
CFT50W/2G11	3	50	-20/-29	120	1.28	150	10	0.98	1.15	1.70	0.76	--
F54T5/HO/EA	3	49	-20/-29	120	1.34	162	10	0.98	0.97	1.70	0.60	--
* F54T5/HO	2	54	-20/-29	120	1.00	120	10	0.98	1.00	1.70	0.83	--
FT55W/2G11	2	55	-20/-29	120	0.94	113	10	0.98	0.91	1.70	0.81	--
CFT50W/2G11	2	50	-20/-29	120	0.84	100	10	0.98	1.15	1.70	1.15	--
F54T5/HO/EA	2	49	-20/-29	120	0.88	106	10	0.98	0.97	1.70	0.92	--
* F54T5/HO	4	54	-20/-29	277	0.81	225	10	0.98	0.95	1.70	0.43	0.930
FT55W/2G11	4	55	-20/-29	277	0.90	222	10	0.97	0.91	1.70	0.38	--
CFT50W/2G11	4	50	-20/-29	277	0.77	196	10	0.97	1.15	1.70	0.58	--
F54T5/HO/EA	4	49	-20/-29	277	0.78	209	10	0.96	0.97	1.70	0.46	--
* F54T5/HO	3	54	-20/-29	277	0.65	173	10	0.92	1.03	1.70	0.59	--
FT55W/2G11	3	55	-20/-29	277	0.60	160	10	0.92	0.93	1.70	0.58	--
CFT50W/2G11	3	50	-20/-29	277	0.53	146	10	0.92	1.15	1.70	0.78	--
F54T5/HO/EA	3	49	-20/-29	277	0.61	159	10	0.93	0.97	1.70	0.61	--
* F54T5/HO	2	54	-20/-29	277	0.43	117	10	0.98	1.00	1.70	0.85	--
FT55W/2G11	2	55	-20/-29	277	0.41	113	10	0.97	0.91	1.70	0.81	--
CFT50W/2G11	2	50	-20/-29	277	0.38	98	10	0.97	1.15	1.70	1.17	--
F54T5/HO/EA	2	49	-20/-29	277	0.39	104	10	0.96	0.97	1.70	0.93	--

* Primary Lamp Design



8/23/2014

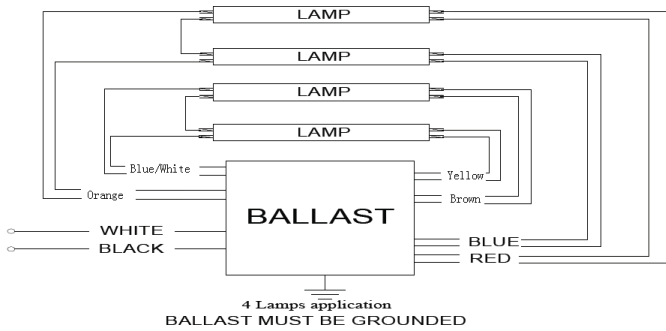
4 Lamp Standard Ballast Factor Multi-volt

Ballast Specifications

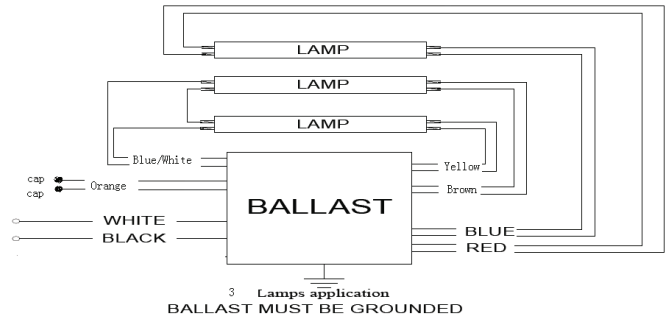
- Ballast shall have a THREE-year warranty
- Ballast shall be UL & cUL 935 Listed, & UL
- Ballast shall meet RoHS compliance
- Ballast shall be sound rated Class A
- Ballast shall have a Lamp Current Crest Factor of <1.7
- Ballast shall meet ANSI Standards C62.41 Cat. A
- Ballast shall comply with the limits of FCC Part 18 Class A (Non-consumer)
- Ballast shall have a -28°C minimum lamp starting temperature for primary lamp
- Ballast shall be Program Rapid Start Series Lamp Operation
- Ballast shall have minimum Power Factor of 96% for primary Lamp operation
- Ballast shall operate within +/- 10% of the ballast specified line voltage at 60 Hz
- Ballast shall have a maximum case hot spot temperature of 90 Celsius
- Ballast shall have Lamp End-Of-Life Protection

Wiring Diagrams

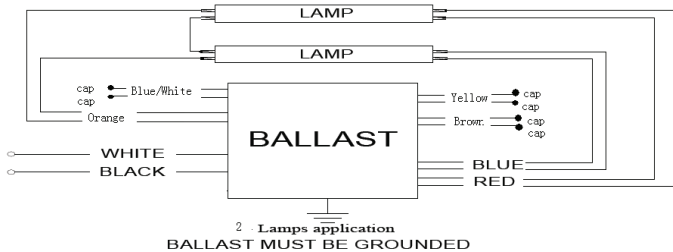
4 Lamp Application



3 Lamp Application

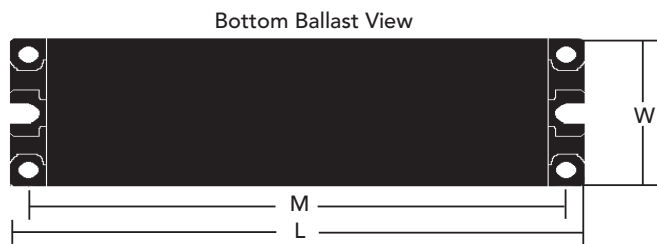
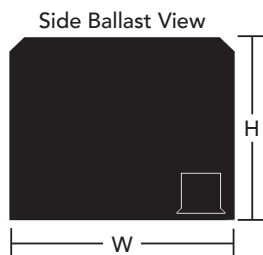


2 Lamp Application



Dimensions

- L: 16.75"
- W: 1.8"
- H: 1.2"
- M: 16.3"



• Specifications are subject to change without notice.



Project:	
Catalog#:	
Approved by:	