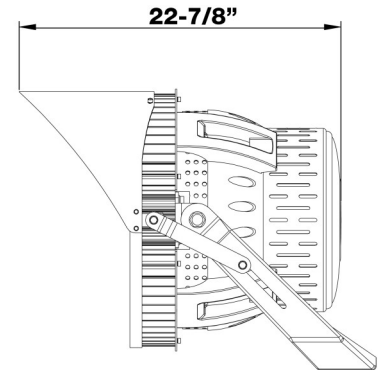
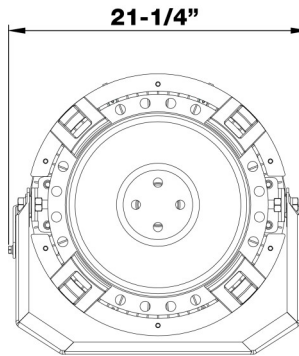




750W Sports Light

60° Beam Angle

5000K 347-480V



Features:

360° Lighting

60° Beam Angle

Big Heat Sink with Excellent Heat Dissipation

Internal Driver - Long Life high Efficiency LEDs

Advanced Multi-faceted Optics

Meanwell Drivers/Osram LEDs

240° Tilt; 220° Rotation

Direct Replacement for Metal Halide

10KV Surge Suppression

IP66 Waterproof Rating

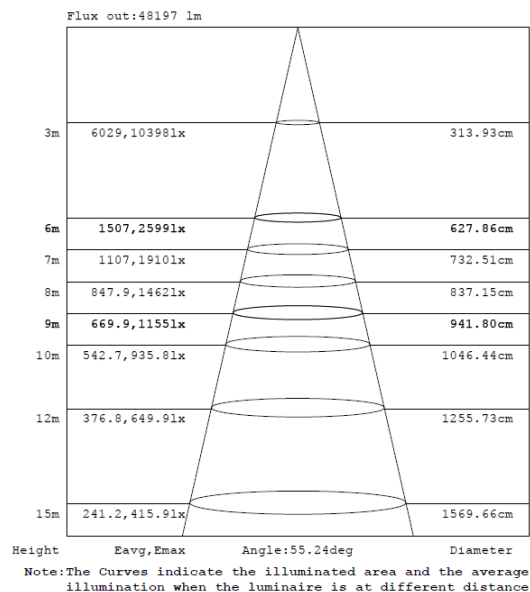
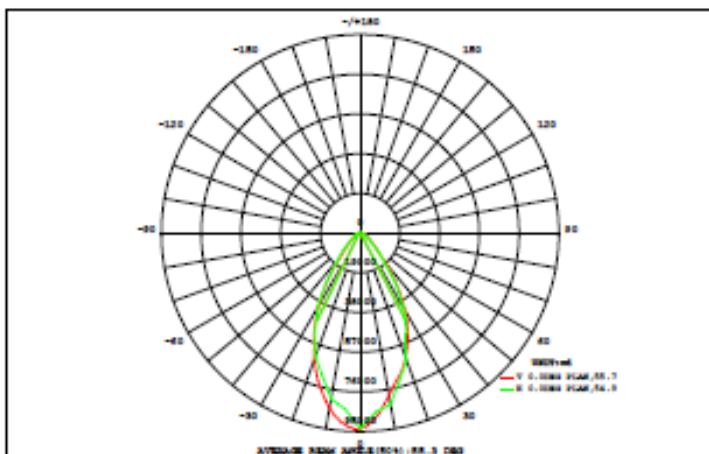
Lightweight - 66 lbs

-22° To 122° Operating Temperature

5 Year Warranty

Part#	Housing Color	Wattage	Lumens	CCT	Voltage	Light Pattern	BUG Rating	Lumens/Watt	DLC Product ID#
77018	Black/Red	750	99541	5000	347-480	60°		120	PLHXDF2X02OB

PHOTOMETRY





750W Sports Light

60° Beam Angle

5000K 347-480V

Technical Specifications:

Electrical:

Input Voltage: 347-480

Current: 1.56A @ 480V

Frequency: 60Hz

Power Factor: ≥ 0.99

THD: 14.2

Product Parameters:

750 Watts

Lumens: 99541

Efficacy: 133 Lumens Per Watt

50,000+ Hr LED Life Span

CCT: 5000K (Cool White)

Chromaticity Measurements:

Beam Angle: 60°

BUG Rating:

CRI: >70

R9: 27

DUV: .0004

Chromaticity (x,y): $x=.3373$; $y=.3539$

Chromaticity (u,v): $u=.2053$; $v=.4846$

Component Specifications:

LED: SMD3030

Driver: 100-277V 50-60HZ

Driver Output Volts: 40-45 VDC

Driver Output Amps: 3.7A

10,000V Surge Protection

Dimming: 1-10V

Operating Temperature:

Minimum Starting -22°F - 122°F

Construction:

Housing: Aluminum

Powder Coated

IP Rating: IP66

Lens Material: Polycarbonate

Mounting: Yoke (Bracket) OR Slipfitter

Listings: ETL

Carton Qty: 1

Weight: 66 lb

Warranty:

Morris Products carries a 5 year warranty from date of purchase against defects in materials and workmanship (assuming normal and proper usage).