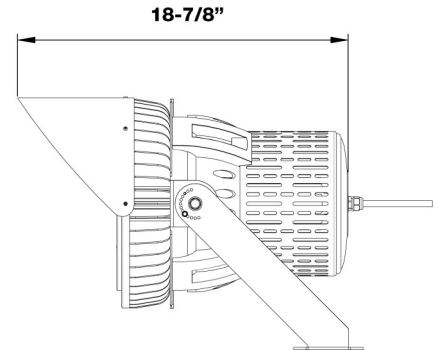
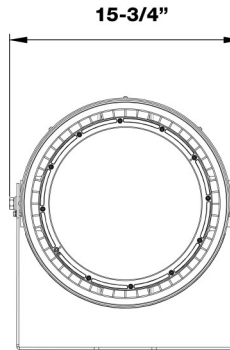




500W Sports Light

30° Beam Angle

5000K 120-277V



Features:

360° Lighting

30° Beam Angle

Big Heat Sink with Excellent Heat Dissipation

Internal Driver - Long Life high Efficiency LEDs

Advanced Multi-faceted Optics

Meanwell Drivers/Osram LEDs

240° Tilt; 220° Rotation

Direct Replacement for Metal Halide

10KV Surge Suppression

IP66 Waterproof Rating

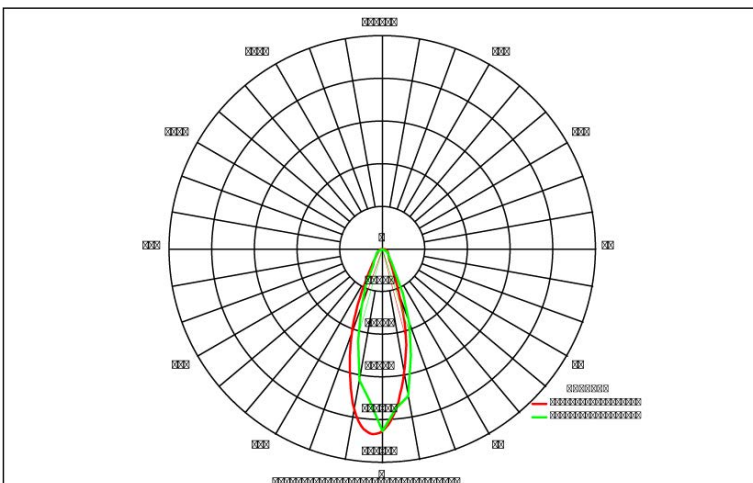
Lightweight - 34 lbs

-22° To 122° Operating Temperature

5 Year Warranty

Part#	Housing Color	Wattage	Lumens	CCT	Voltage	Light Pattern	BUG Rating	Lumens/Watt	DLC Product ID#
77000	Black/Red	500	64,379	5000	120-277	30°		129	PLG8QDG77K08

PHOTOMETRY





500W Sports Light

30° Beam Angle

5000K 120-277V

Technical Specifications:

Electrical:

Input Voltage: 120-277
Current: 4.17A @ 120V; 2.0A @ 277V
Frequency: 60Hz
Power Factor: ≥ 0.99
THD: 15

Product Parameters:

500 Watts
Lumens: 64,379
Efficacy: 129 Lumens Per Watt
50,000+ Hour LED Life Span
CCT: 5000K (Cool White)

Chromaticity Measurements:

Beam Angle: 30°
BUG Rating:
CRI: > 82
R9: 9
DUV: .00323
Chromaticity (x,y): $x=.3374$; $y=.3517$
Chromaticity (u,v): $u=.2862$; $v=.4836$

Component Specifications:

LED: SMD3030
Driver: 100-277V 50-60HZ

Driver Output Volts: 45-48 VDC Driver
Output Amps: 4.5A
10,000V Surge Protection

Dimming: 1-10V

Operating Temperature:

Minimum Starting -22°F - 122°F

Construction:

Housing: Aluminum
Powder Coated
IP Rating: IP66

Lens Material: Polycarbonate

Mounting: Yoke (Bracket) OR Slipfitter(sold Separately)

Listings: ETL

Carton Qty: 1

Weight: 34 lb

Warranty:

Morris Products carries a 5 year warranty from date of purchase against defects in materials and workmanship (assuming normal and proper usage).