

# MONUMENT®

## Lighted Bath Exhaust Fan

- 50 CFM Exhaust Fan with Light
- C-UL-US Certified
- Pressure Compensating Fan Motor
- Five-Year Limited Warranty

### Fan Specifications

Housing	25 Ga. Galvanized Steel
Diffuser	Opaque Polycarbonate
Grille	White ABS
Duct Connection	4" with Built-in Damper
Rough-In (LxW)	7-11/16" x 7-1/4"
Housing (LxWxH)	7-5/8" x 7-3/16" x 5-1/16"

### Motor Specifications

Voltage	120 V
Frequency	60 Hz
Power	45 W
Current	0.38 Amps
Lubrication	Permanently Lubricated
Safety	Built-in Thermal Cutoff

### Performance Specifications

Noise	3.0 SONE
Fan Speed	1300 Minimum RPM
Air Flow	50 CFM @ 0.1 In. W.G.
Max. Bath Area	50 Sq. Ft.
Max. Other Area	55 Sq. Ft.

### Lamp Specifications

Wattage	13 W
Current	0.12 Amps
Lamp Type	Compact Fluorescent
Lamp Count	1 (Included)
Base Type	GU24



**Model: 2479691**

### Design Features

- Provides outstanding energy savings
- Low noise motor is designed for extended life
- Permanently lubricated motor with built-in thermal cut-off for safety and extended life
- Can be used over showers and tubs when connected to a GFCI protected circuit
- Simple ear-mounting require no mounting brackets
- Built-in junction box allows for easy wiring
- Complies with California Title 24
- Fan motor incorporates a compensating feature that adjusts output pressure to maintain a consistent flow rate regardless of duct-run length or multiple directional changes

Monument Lighted Bath Exhaust Fan Model 2479691

# Lighted Bath Exhaust Fan



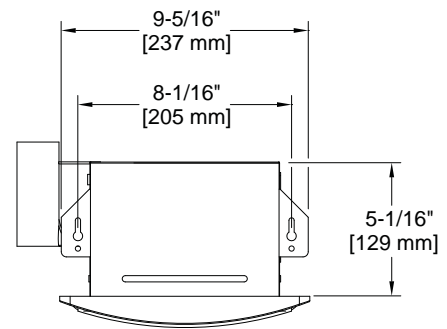
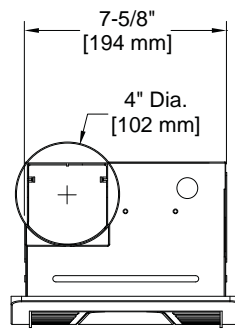
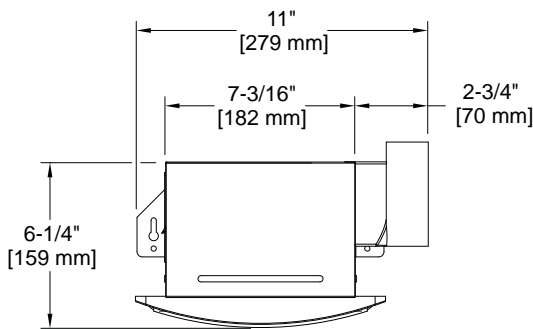
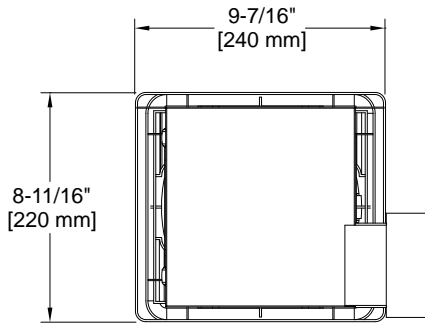
All Dimensions are Nominal.



**Model: 2479691**

## Installation Guidelines

- Not be installed in a ceiling with R42 or greater insulation.
- For UL compliance, mount at least 7.6 feet above the floor.
- Please read instructions for additional information prior to installing, operating or servicing.



## Fan Air Flow Performance

