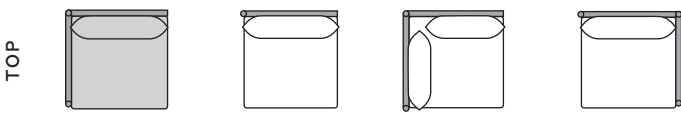
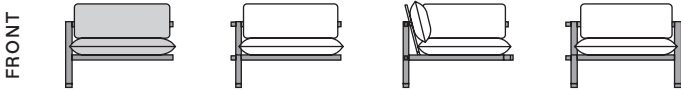


TERRA COLLECTION

# Left Arm Module

Terra's six modular components are designed to let you configure your own perfect outdoor seating. Easy to assemble and add to with a simple shared-leg design.

### Seating Modules



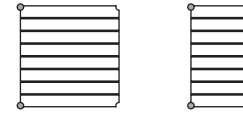
Left Arm Module

Armless Module

Corner Module

Right Arm Module

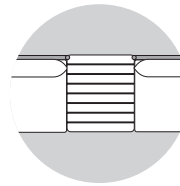
### Table Modules



In-line Table

In-line Half Table

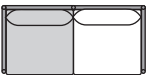
Start with one of our most popular shapes or create your own.



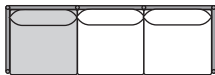
Easily replace any armless or arm modules with a table module.

 Indicates module in this box

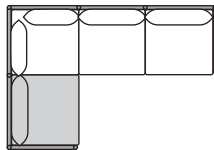
Loveseat



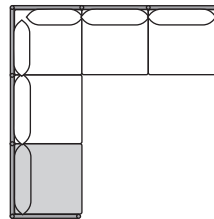
Sofa



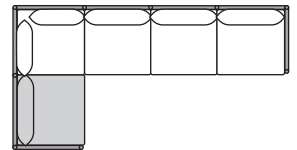
4-Piece Sectional



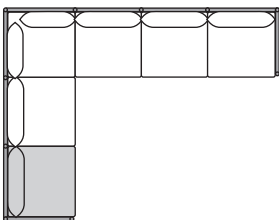
5-Piece Symmetrical Sectional



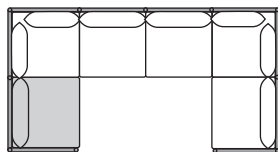
5-Piece Sectional



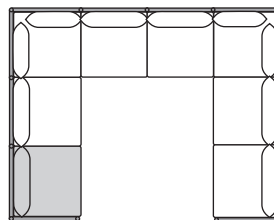
6-Piece Sectional



6-Piece U-Shaped Sectional



8-Piece U-Shaped Sectional



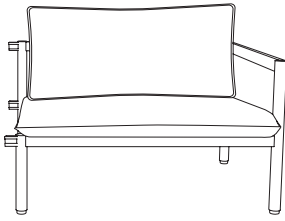


## Left Arm Module



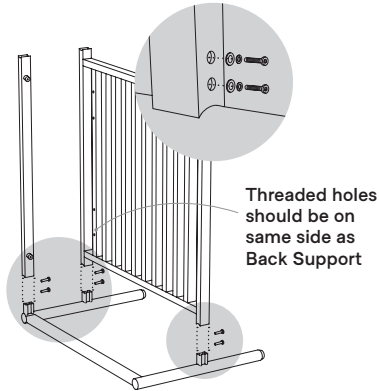
- Do NOT use a drill while assembling
- Assemble all parts on a soft surface

Always assemble the Right Arm Module first. Continue by adding modules on the left until your furniture is complete.



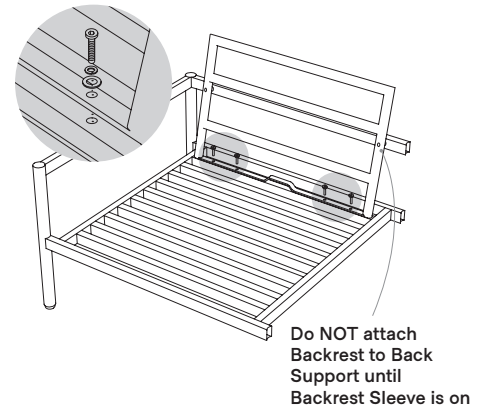
- 1 Fasten Seat Base and Back Support to Left Arm.

6x 20mm Bolt, Spring, and Flat Washer



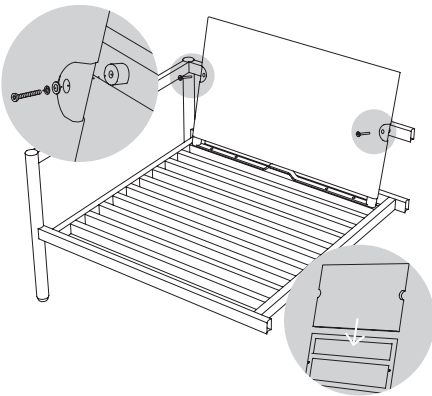
- 2 Attach Backrest to Seat Base. DO NOT fully tighten screws.

4x 20mm Bolt, Spring, and Flat Washer



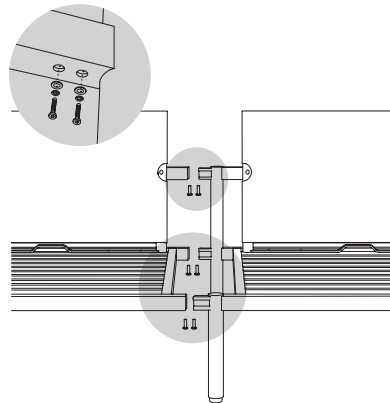
- 3 Slide Backrest Sleeve onto Backrest, then attach to Back Support. Tighten all screws.

2x 35mm Bolt, Spring, and Flat Washer

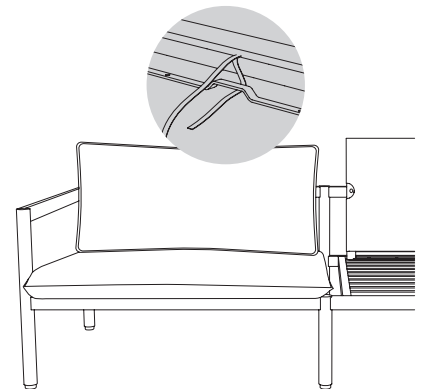


- 4 Connect to previously assembled module.

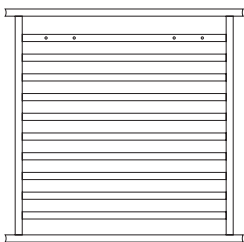
6x 20mm Bolt, Spring, and Flat Washer



- 5 Add cushions. Secure Seat Cushion to Backrest and adjust leveling feet as needed.



## Parts



1x Seat Base



1x Back Support

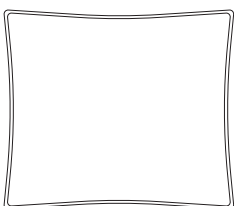


1x Backrest

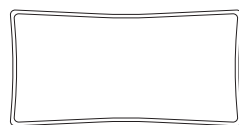


1x Left Arm

## Cushions



1x Seat Cushion



1x Back Cushion



1x Backrest Sleeve

## Hardware



16x 20mm Hex Bolt



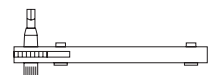
2x 35mm Hex Bolt



18x Spring Washer



18x Flat Washer



1x Hex Ratchet

Have questions, comments, or feedback? Reach out at [support@hineighbor.com](mailto:support@hineighbor.com)