

TERRA COLLECTION

In-line Half Table

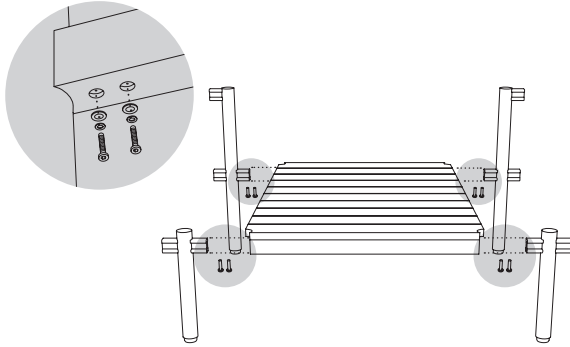
Two sides connected

- ⚠ Do NOT use a drill while assembling
- Assemble all parts on a soft surface

If attaching to Armless or Arm Modules:

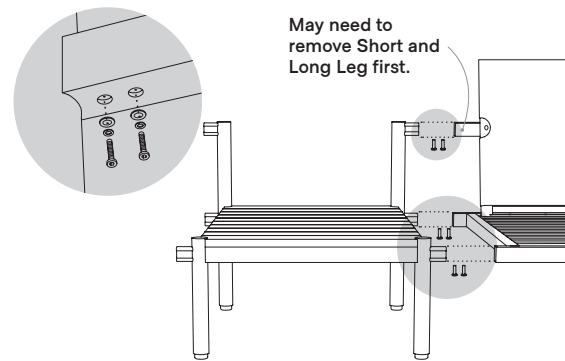
- 1 Attach two Long Table Legs and two Short Table Legs to Table Top.

8x 20mm Bolt, Spring, and Flat Washer



- 2 Connect to previously assembled module and adjust leveling feet as needed.

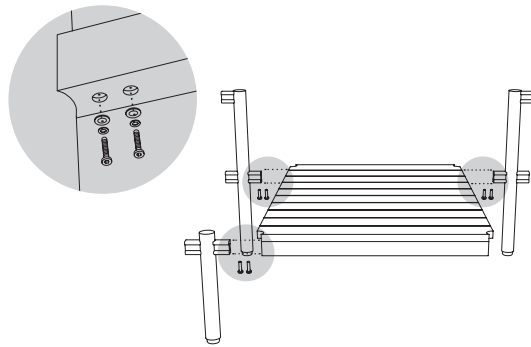
6x 20mm Bolt, Spring, and Flat Washer



If attaching to Corner Module:

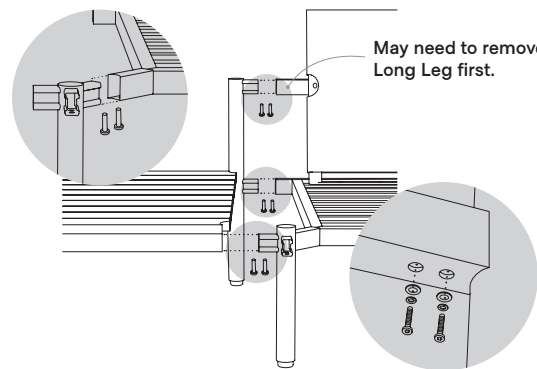
- 1 Attach two Long Table Legs and one Short Table Leg to Table Top.

6x 20mm Bolt, Spring, and Flat Washer

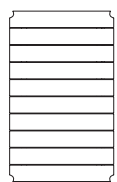


- 2 Attach Short Corner Table Leg to Corner Module first, then connect modules. Adjust leveling feet.

6x 20mm Bolt, Spring, and Flat Washer from Corner Module



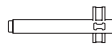
Parts



1x In-line Half Table Top



1x Short Table Leg



1x Short Corner Table Leg

**Only needed if attaching to Corner Module*



2x Long Table Leg

Hardware



8x 20mm Hex Bolt



8x Spring Washer



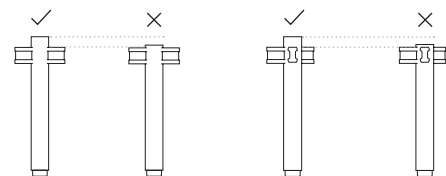
8x Flat Washer



1x Allen Wrench

Important

Replace any seating module legs with the included table legs to match the height of the table.



Short Table Leg

Short Leg

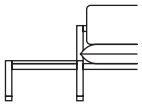
Short Corner Table Leg

Short Corner Leg

Note: there will be additional Table Legs in your box that may or may not be needed for this configuration.

See other configuration option on opposite side.

Have questions, comments, or feedback? Reach out at support@hineighbor.com



TERRA COLLECTION

In-line Half Table

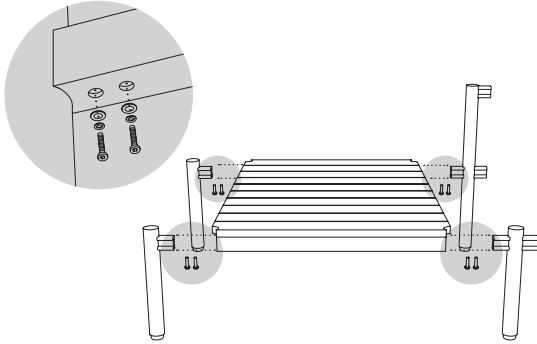
One side connected

- ⚠ Do NOT use a drill while assembling
- Assemble all parts on a soft surface

If attaching to Armless or Arm Modules:

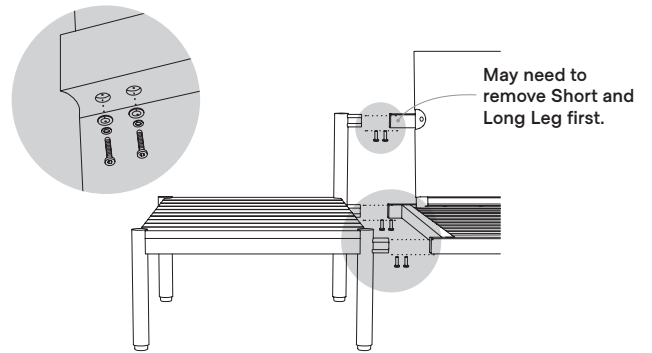
- 1 Attach a Long Table Leg, one Short Table Leg, and two Short "L" Table Legs to Table Top.

8x 20mm Bolt, Spring, and Flat Washer



- 2 Connect to previously assembled module and adjust leveling feet as needed.

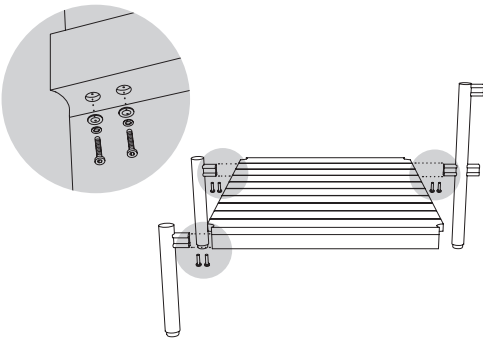
6x 20mm Bolt, Spring, and Flat Washer from adjacent module



If attaching to Corner Module:

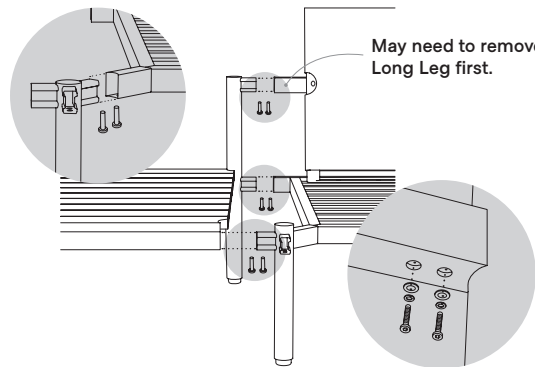
- 1 Attach one Long Table Leg and two Short "L" Table Legs to Table Top.

6x 20mm Bolt, Spring, and Flat Washer

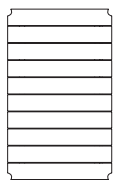


- 2 Attach Short Corner Table Leg to Corner Module first, then connect modules. Adjust leveling feet.

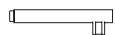
6x 20mm Bolt, Spring, and Flat Washer from Corner Module



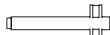
Parts



1x In-line Half Table Top



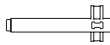
2x Short "L" Table Leg



1x Short Table Leg



2x Long Table Leg



1x Short Corner Table Leg

**Only needed if attaching to Corner Module*

Hardware



8x 20mm Hex Bolt



8x Spring Washer



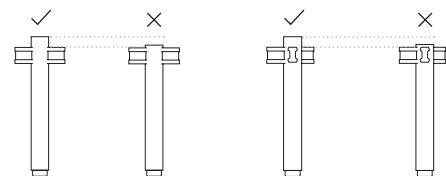
8x Flat Washer



1x Allen Wrench

Important

Replace any seating module legs with the included table legs to match the height of the table.



Short Table Leg

Short Leg

Short Corner Table Leg

Short Corner Leg

Note: there will be additional Table Legs in your box that may or may not be needed for this configuration.

See other configuration option on opposite side.