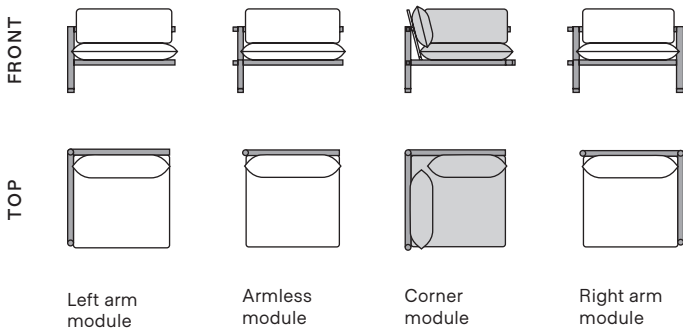


TERRA COLLECTION

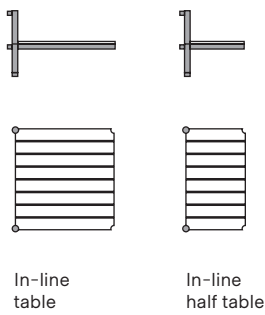
# Corner Module

Terra's six modular components are designed to let you configure your own perfect outdoor seating. Easy to assemble and add to with a simple shared-leg design.

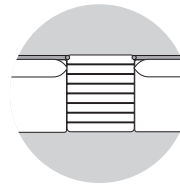
## Seating Modules



## Table Modules



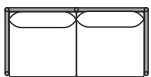
Start with one of our most popular shapes or create your own.



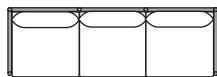
Easily replace any armless or arm modules with a table module.

 Indicates module in this box

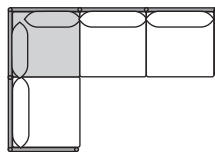
### Loveseat



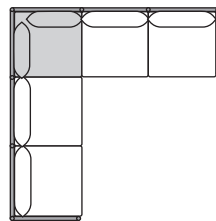
### Sofa



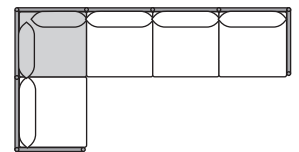
### 4-Piece Sectional



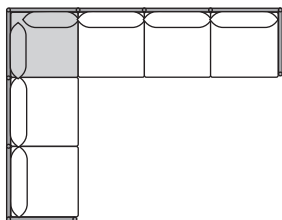
### 5-Piece Symmetrical Sectional



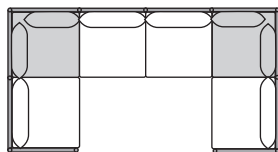
### 5-Piece Sectional



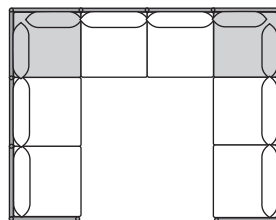
### 6-Piece Sectional



### 6-Piece U-Shaped Sectional



### 8-Piece U-Shaped Sectional

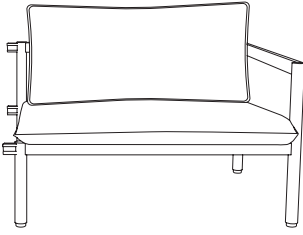




## Corner Module

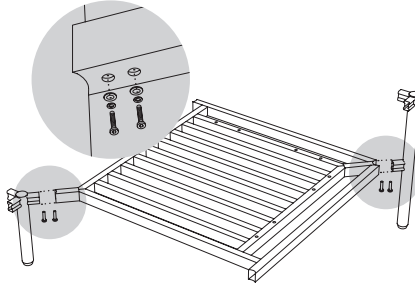
- ⚠ Do NOT use a drill while assembling
- Assemble all parts on a soft surface

Always start building your furniture by first assembling the Right Arm Module.



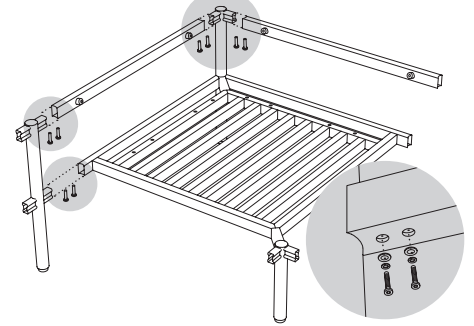
- 1** Fasten Short and Long Corner Leg to Seat Base.

4x 20mm Bolt, Spring, and Flat Washer



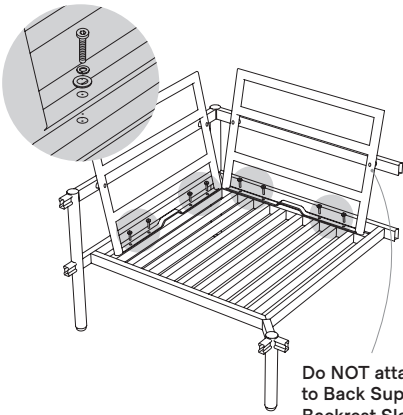
- 2** Attach Back Supports to Long Corner Leg. Attach Long Leg to left side.

8x 20mm Bolt, Spring, and Flat Washer



- 3** Attach Backrests to Seat Base. DO NOT fully tighten screws.

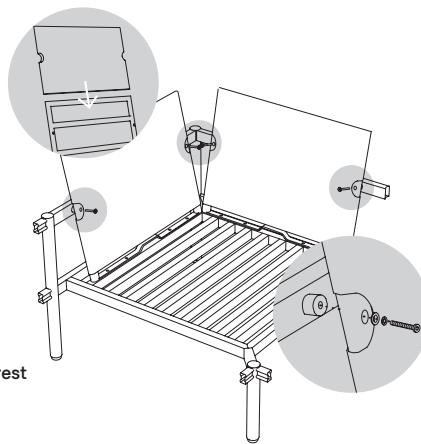
8x 20mm Bolt, Spring, and Flat Washer



Do NOT attach Backrest to Back Support until Backrest Sleeve is on

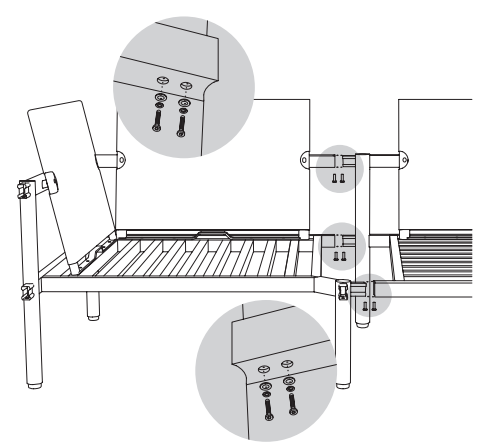
- 4** Slide Backrest Sleeves onto Backrests, then attach to Back Supports. Tighten all screws.

4x 35mm Bolt, Spring, and Flat Washer

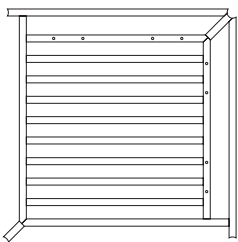


- 5** Connect to previously assembled module, then add cushions. Secure seat cushion to Backrest.

6x 20mm Bolt, Spring, and Flat Washer



## Parts



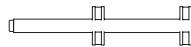
1x Corner Seat Base



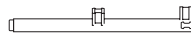
2x Corner Back Support



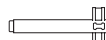
2x Corner Backrest



1x Long Leg

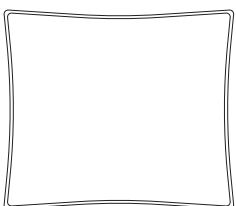


1x Long Corner Leg

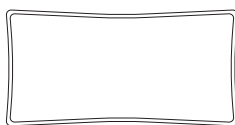


1x Short Corner Leg

## Cushions



1x Corner Seat Cushion



2x Corner Back Cushion



2x Corner Backrest Sleeve

## Hardware



24x 20mm Hex Bolt



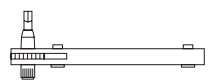
4x 35mm Hex Bolt



28x Spring Washer



28x Flat Washer



1x Hex Ratchet

Have questions, comments, or feedback? Reach out at [support@hineighbor.com](mailto:support@hineighbor.com)