

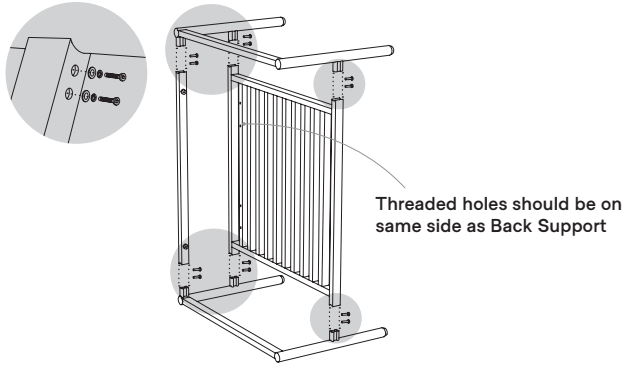
TERRA COLLECTION

# Chair

- ⚠ Do NOT use a drill while assembling
- Assemble all parts on a soft surface

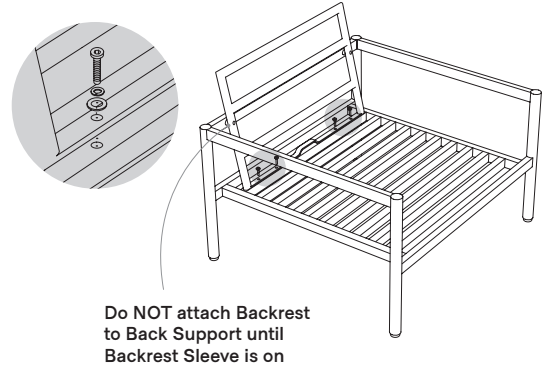
**1** Attach Right and Left Arm to Seat Base and Back Support.

12x 20mm Bolt, Spring, and Flat Washer



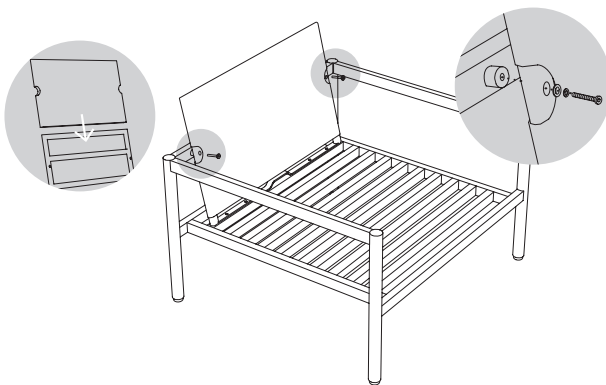
**2** Attach Backrest to Seat Base. DO NOT fully tighten screws.

4x 20mm Bolt, Spring, and Flat Washer

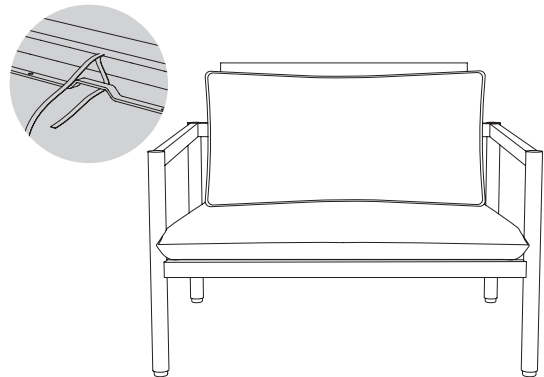


**3** Slide Backrest Sleeve onto Backrest, then attach to Back Support. Tighten all screws.

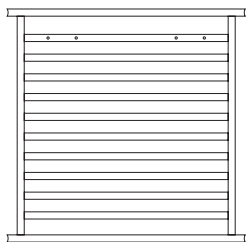
2x 35mm Bolt, Spring, and Flat Washer



**4** Add cushions. Secure Seat Cushion to Backrest and adjust leveling feet as needed.



## Parts



1x Seat Base



1x Back Support



1x Backrest

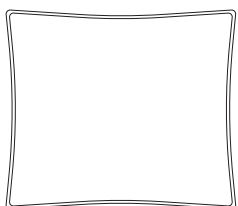


1x Right Arm

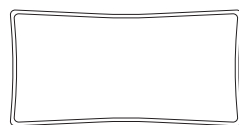


1x Left Arm

## Cushions



1x Seat Cushion



1x Back Cushion



1x Backrest Sleeve

## Hardware



16x 20mm Hex Bolt



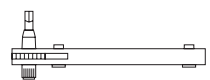
2x 35mm Hex Bolt



18x Spring Washer



18x Flat Washer



1x Hex Ratchet