

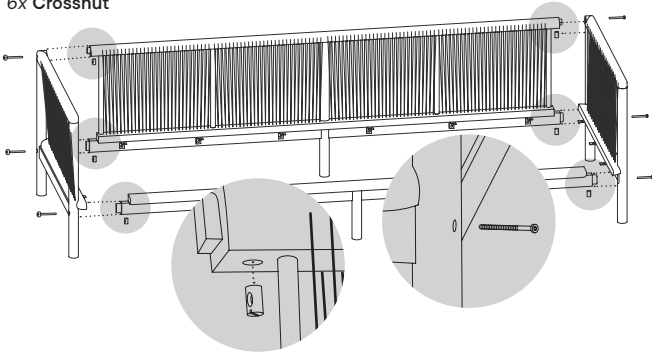
REEL COLLECTION

Sofa

- ⚠ Do NOT use a drill while assembling
- Assemble all parts on a soft surface

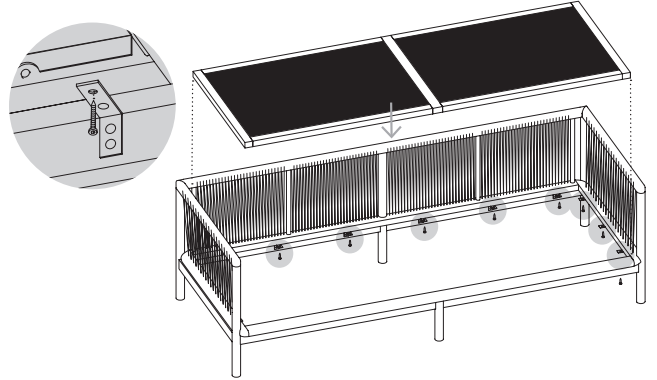
1 Attach Right and Left Arm to Back Rest and Base Support. Place the Crossnut in the underside of crossbar with the hole facing towards the Arm.

6x 80mm Bolt
6x Crossnut



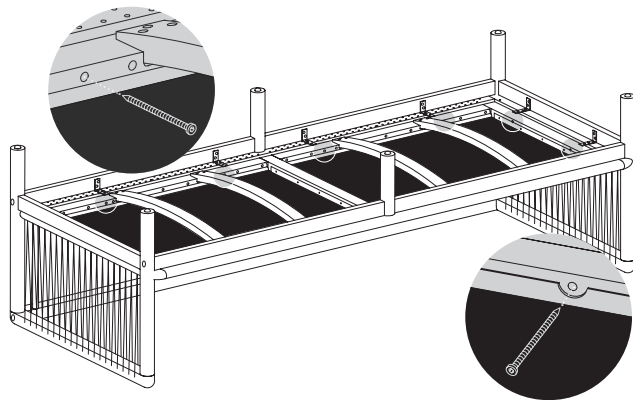
2 Attach Seat Base with twelve 25mm Bolts, inserting them in the metal brackets.

12x 25mm Bolt

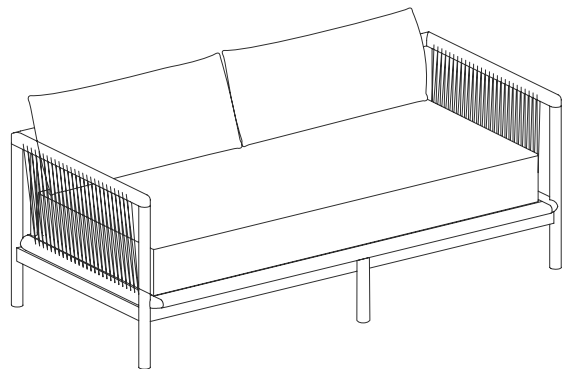


3 Secure base to frame with twelve 70mm Bolts.

12x 70mm Bolt



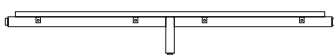
4 Add cushions.



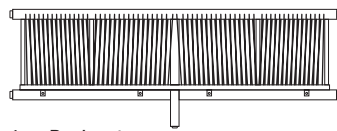
Parts



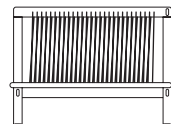
1x Seat Base



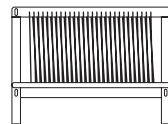
1x Base Support



1x Backrest



1x Left Arm



1x Right Arm

Cushions



1x Seat Cushion



2x Back Cushion

Hardware



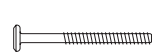
12x 25mm Hex Bolt



12x 70mm Hex Bolt



6x Crossnut



6x 80mm Hex Bolt



1x Allen Wrench



Flathead Screwdriver
*Not included