

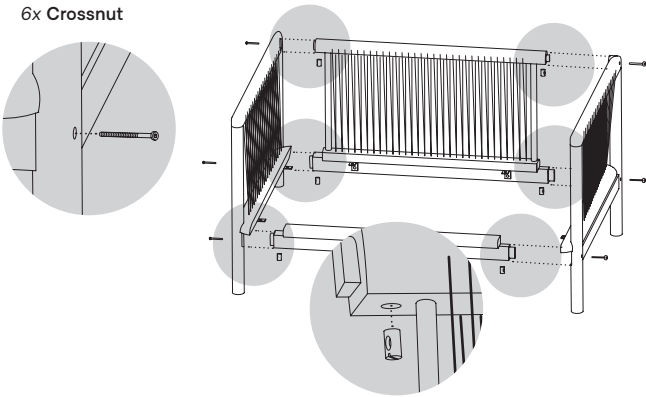
REEL COLLECTION

# Chair

- ⚠ Do NOT use a drill while assembling
- Assemble all parts on a soft surface

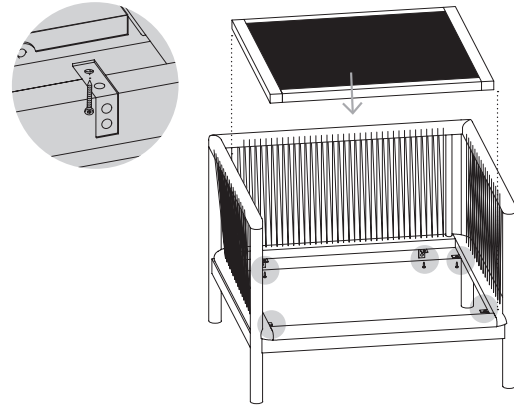
**1** Attach Right and Left Arm to Back Rest and Base Support. Place the Crossnut in the underside of crossbar with the hole facing towards the Arm.

6x 80mm Bolt  
6x Crossnut



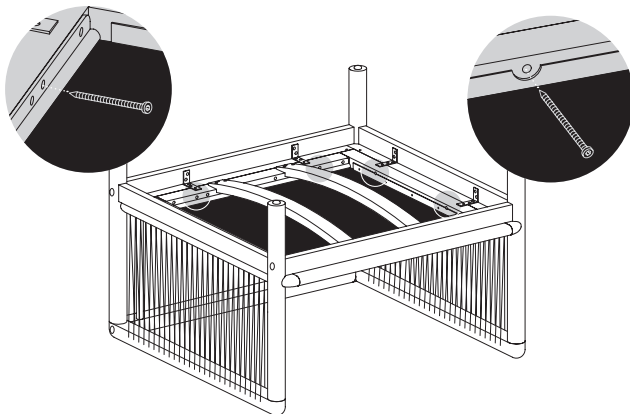
**2** Attach Seat Base with twelve 25mm Bolts, inserting them in the metal brackets.

12x 25mm Bolt

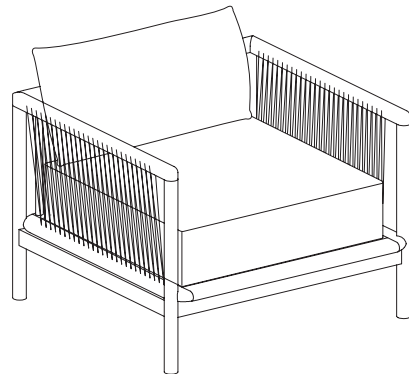


**3** Secure base to frame with eight 70mm Bolts.

8x 70mm Bolt



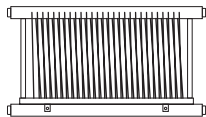
**4** Add cushions.



## Parts



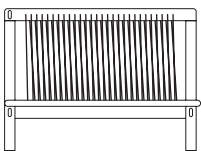
1x Seat Base



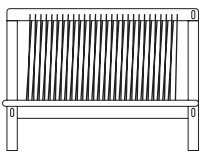
1x Backrest



1x Base Support



1x Right Arm



1x Left Arm

## Cushions



1x Seat Cushion



1x Back Cushion

## Hardware



8x 25mm Hex Bolt



8x 70mm Hex Bolt



6x Crossnut



6x 80mm Hex Bolt



1x Allen Wrench



Flathead Screwdriver  
\*Not included