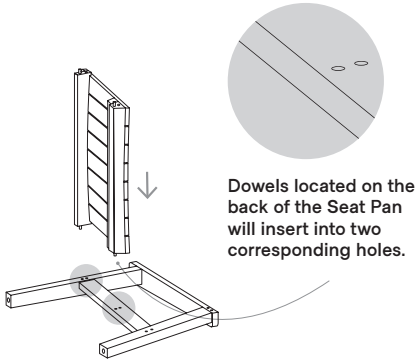


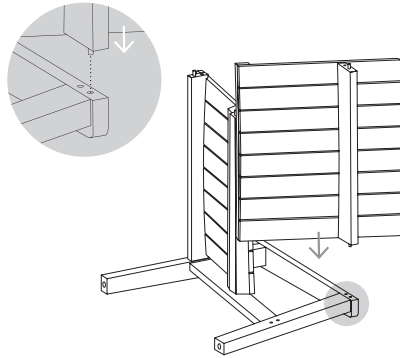


Low Chair

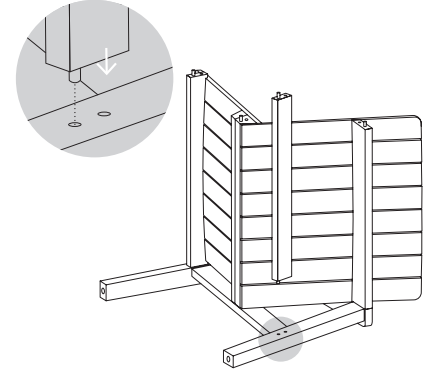
1 Place the Left Arm on a soft surface with the armrest facing down. Gently insert the Seat Pan into the arm's front slots.



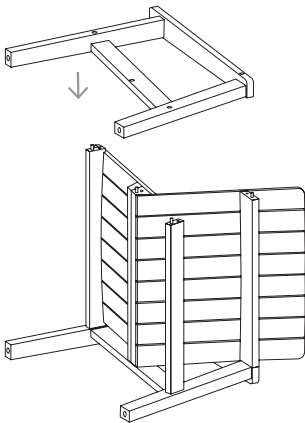
2 Insert the Back Rest into the slots on the back of the Left Arm. Back Rest should be flush to Seat Pan.



3 Gently insert the Back Strut into the slots on the back of the Left Arm.

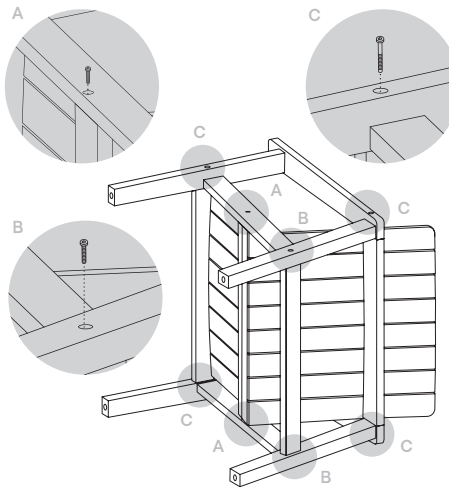


4 Attach the Right Arm to Back Rest, Seat Pan, and Back Strut. Press down firmly until arm is secure.

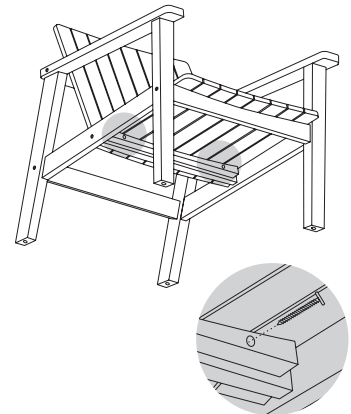


5 Fasten the Right Arm to the Back Rest, Seat Pan, and Back Strut. Then gently flip the chair over, carefully keeping pieces intact and fasten Right Arm mirroring with the same hardware as the Left Arm.

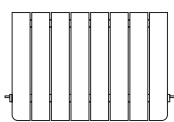
(A) 2x 40mm Hex Bolt, (B) 2x 55mm Hex Bolt, (C) 4x 70mm Hex Bolt



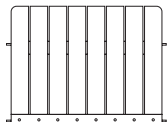
6 Fasten the Seat Pan to the Back Rest with two Screws. Don't overtighten! Take a seat— you're done!
2x Screws



Parts



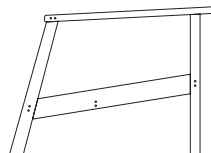
1x Seat Pan



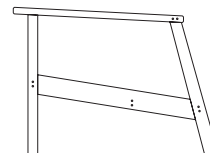
1x Back Rest



1x Back Strut

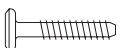


1x Right Arm

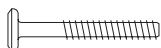


1x Left Arm

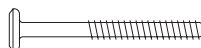
Hardware



2x 40 mm Hex Bolt



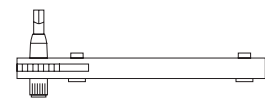
2x 55 mm Hex Bolt



4x 70 mm Hex Bolt



2x Screw

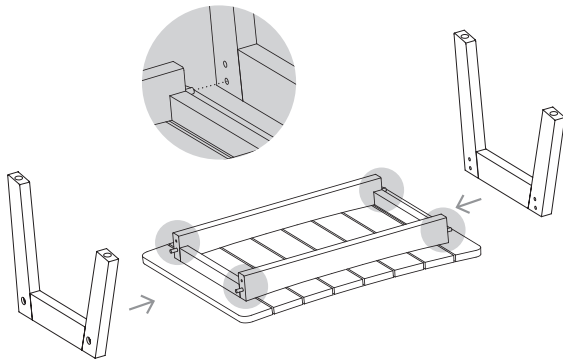


1x Hex Ratchet

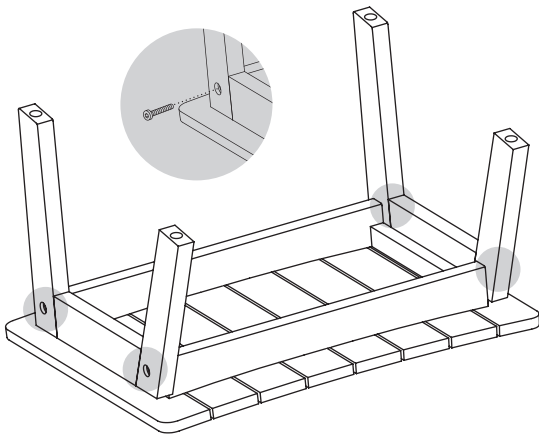


Low Ottoman

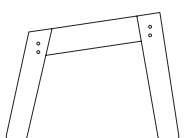
- 1 Place the Foot Rest on a soft surface with the top facing down. Gently insert Right and Left Leg into the slots.



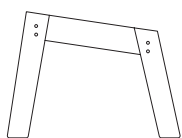
- 2 Fasten the Legs into the Foot Rest. Be sure not to over-tighten! Gently flip over the ottoman and enjoy!
4x 50 mm Hex Bolts



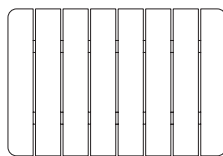
Parts



1x Left Leg

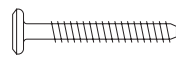


1x Right Leg

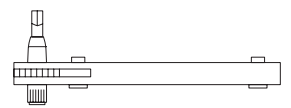


1x Foot Rest

Hardware



4x 50 mm Hex Bolt



1x Hex Ratchet