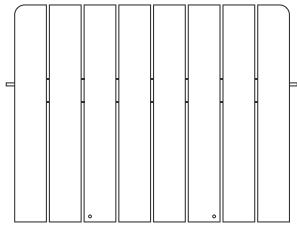


# Low Chair Jr.

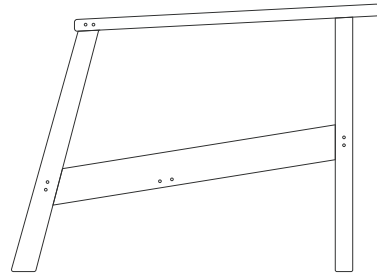
Assembly Guide

*neighbor*

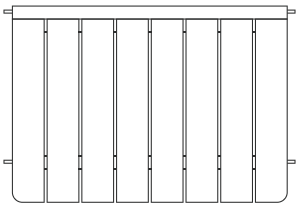
# Low Chair Parts



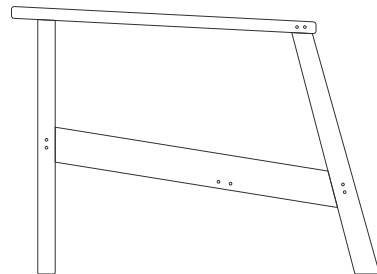
**1X Back Rest**  
Low Chair Jr. Box



**1X Right Arm**  
Low Chair Jr. Box



**1X Seat Pan**  
Low Chair Jr. Box



**1X Left Arm**  
Low Chair Jr. Box



**1X Back Strut**  
Low Chair Jr. Box

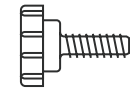
# Hardware



**6X 40mm Hex Bolt**  
Low Chair Jr. Box



**4X 50mm Hex Bolt**  
Low Chair Jr. Box



**4X Leveler**  
Low Chair Jr. Box

# Tools



**Allen Wrench**  
Low Chair Jr. Box

## Assembly Tips

### **Use caution when lifting**

Two-person lift is recommended. The boxes and product are both large and heavy.

### **Lay everything out before you begin**

Getting familiar with all the components before assembly will make for a faster and easier assembly process.

### **Assemble on a soft surface**

We recommend assembling your furniture on a soft surface such as a rug or a towel. The wood frame can scratch against harsh textures like brick or concrete.

### **Loose first, then tight**

Partly tighten the hex bolts while assembling. After the modules are fully assembled, tighten the bolts firmly. Keep in mind humidity levels can slightly affect how the pieces fit together.

## Product Care

### **Caring for teak**

Unfinished teak will gradually change color from honey gold to a silver-gray patina. We encourage allowing the teak to turn color naturally and cleaning it annually or bi-annually. As for cleaning, we recommend Golden Teak Cleaner, which is specifically designed to kill mold and mildew spores inside teak.

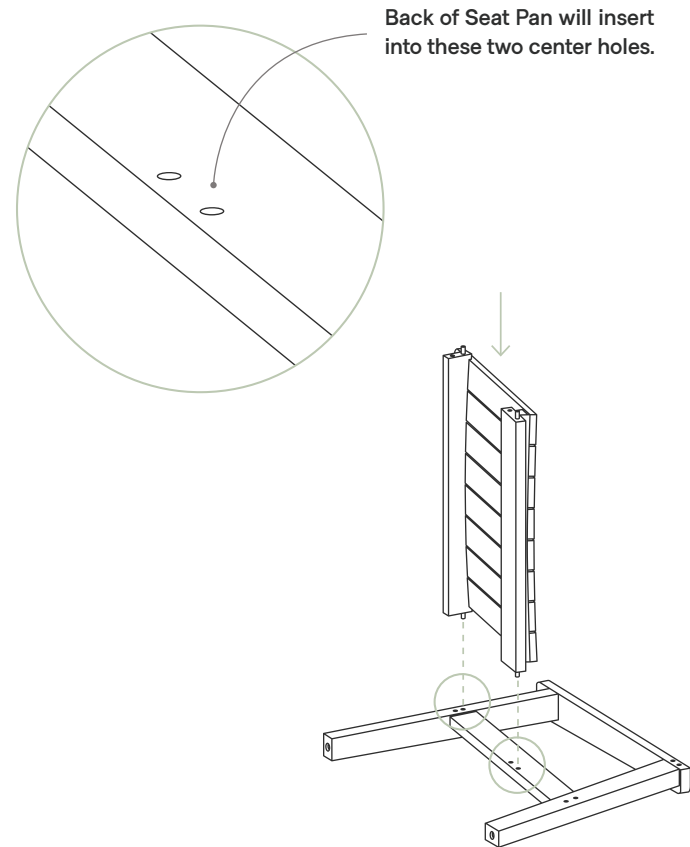
Avoid prolonging mildew growth. If left in the shade for extended periods, this can be common. If you live in a particularly humid or rainy climate, keep a closer eye on mildew growth and clean as needed.

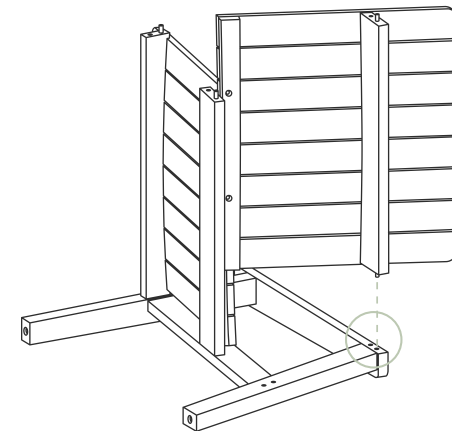
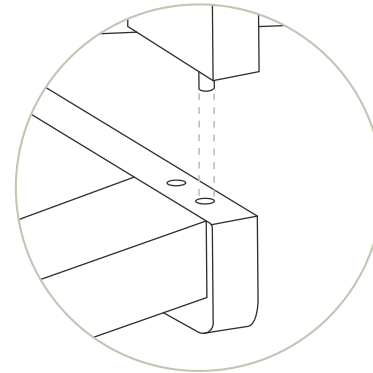
Covering your furniture when not in use will greatly prolong the lifespan of the wood.

# 1

## Connect base to left arm

Place the Left Arm on a soft surface with the armrest facing down. Gently insert the Seat Pan into the arm's front slots.





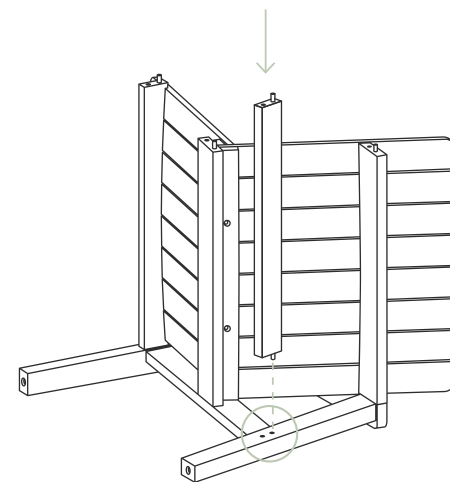
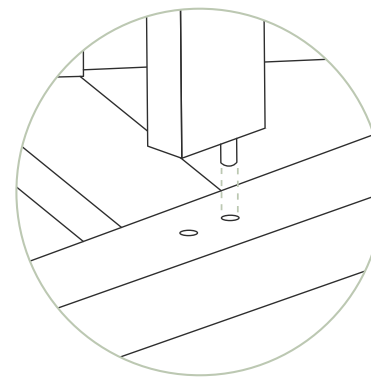
## 2 Connect back to left arm

Insert the Back Rest into the slots on the back of the Left Arm. Back Rest should be flush to Seat Pan.

## 3

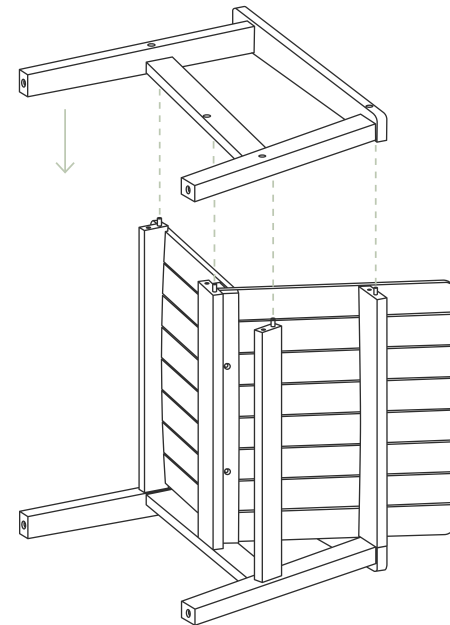
## Connect back support to left arm

Gently insert the Back Strut into the slots on the back of the Left Arm.



# 4 Connect right arm

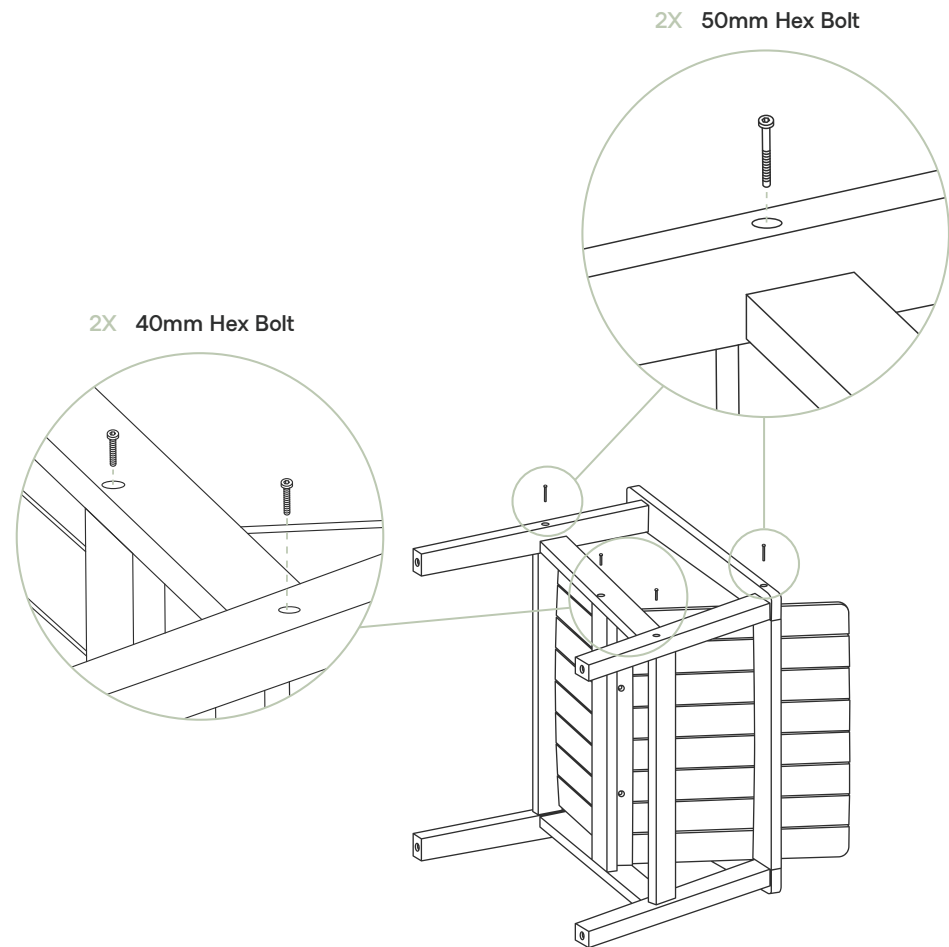
Attach the Right Arm to Back Rest, Seat Pan, and Back Strut. Press down firmly until arm is secure.



## 5

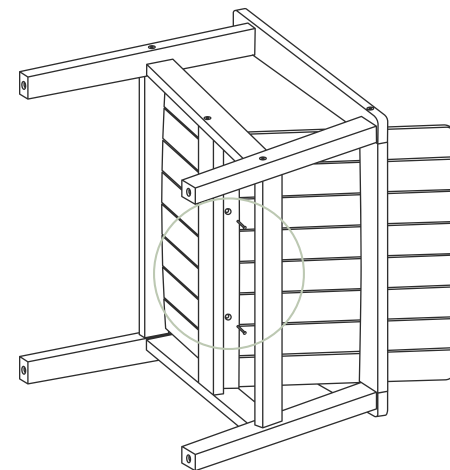
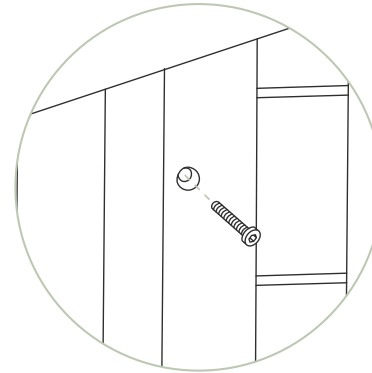
## Secure right arm

Using the Allen Wrench provided, fasten the Right Arm to the Back Rest, Seat Pan, and Back Strut with two 50mm Hex Bolts and two 40mm Hex Bolts.





2X 40mm Hex Bolt



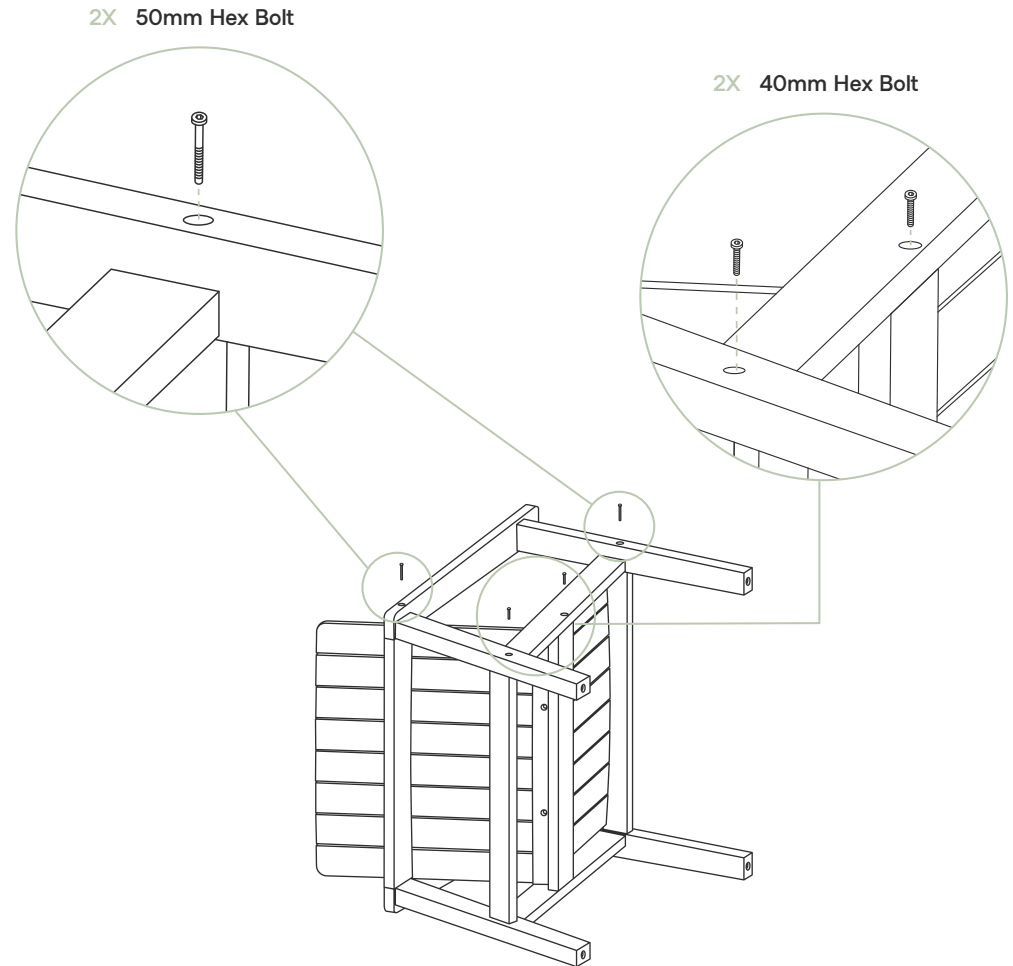
# 6

## Secure back rest to base

Using the Allen Wrench provided, fasten the Back Rest to the Seat Pan with two 40mm Hex Bolts.

# 7 Flip and secure left arm

Gently flip chair so Right Arm is on soft surface. Using the Allen Wrench provided, fasten the Left Arm to the Back Rest, Seat Pan, and Back Strut with two 50mm Hex Bolts and two 40mm Hex Bolts.

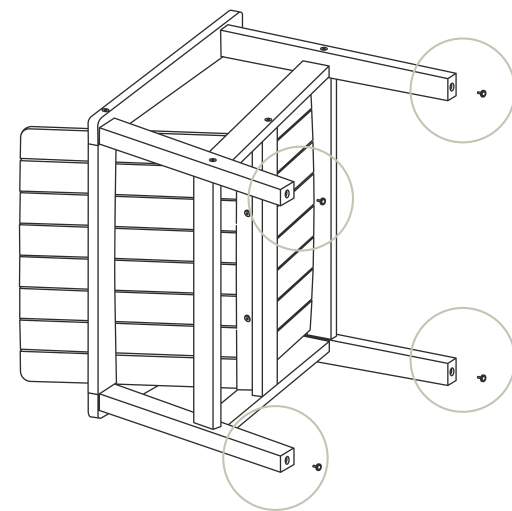
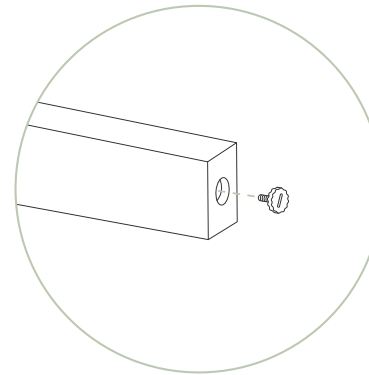




## Attach levelers

Screw in adjustable Levelers to chair leg by hand. Repeat on all four legs. Stand chair upright and take a seat— you're done!

4X Leveler



# Contact

Have a question, comment, feedback?  
We love hearing from customers.

[support@hineighbor.com](mailto:support@hineighbor.com)  
[hineighbor.com](http://hineighbor.com)

*neighbor*