

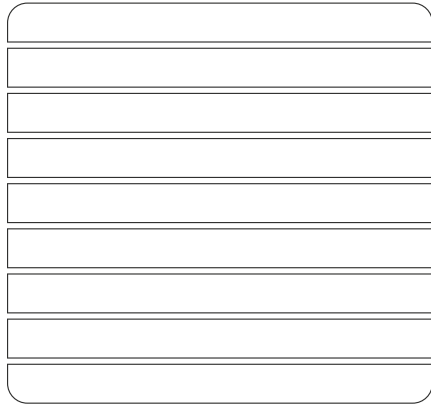
Haven In-line Table

Assembly Guide

neighbor

Parts

In-line Table Box



1X In-line Table Top

Hardware

In-line Table Box



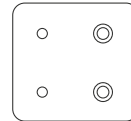
4X 25mm Hex Bolts



4X 30mm Hex Bolts



4X 45mm Hex Bolts



2X Bracket



1X Allen Wrench

Assembly Tips

Use caution when lifting

Two-person lift is recommended. The boxes and product are both large and heavy.

Lay everything out before you begin

Getting familiar with all the components before assembly will make for a faster and easier assembly process.

Assemble on a soft surface

We recommend assembling your furniture on a soft surface such as a rug or a towel. The wood frame can scratch against harsh textures like brick or concrete.

Loose first, then tight

Partly tighten the hex bolts while assembly. After the modules are fully assembled, tighten the bolts firmly. Keep in mind humidity levels can slightly affect how the pieces fit together.

Product Care

Caring for teak

Unfinished teak will gradually change color from honey gold to a silver-gray patina. We encourage allowing the teak to turn color naturally and cleaning it annually or bi-annually. As for cleaning, we recommend Golden Teak Cleaner, which is specifically designed to kill mold and mildew spores inside teak.

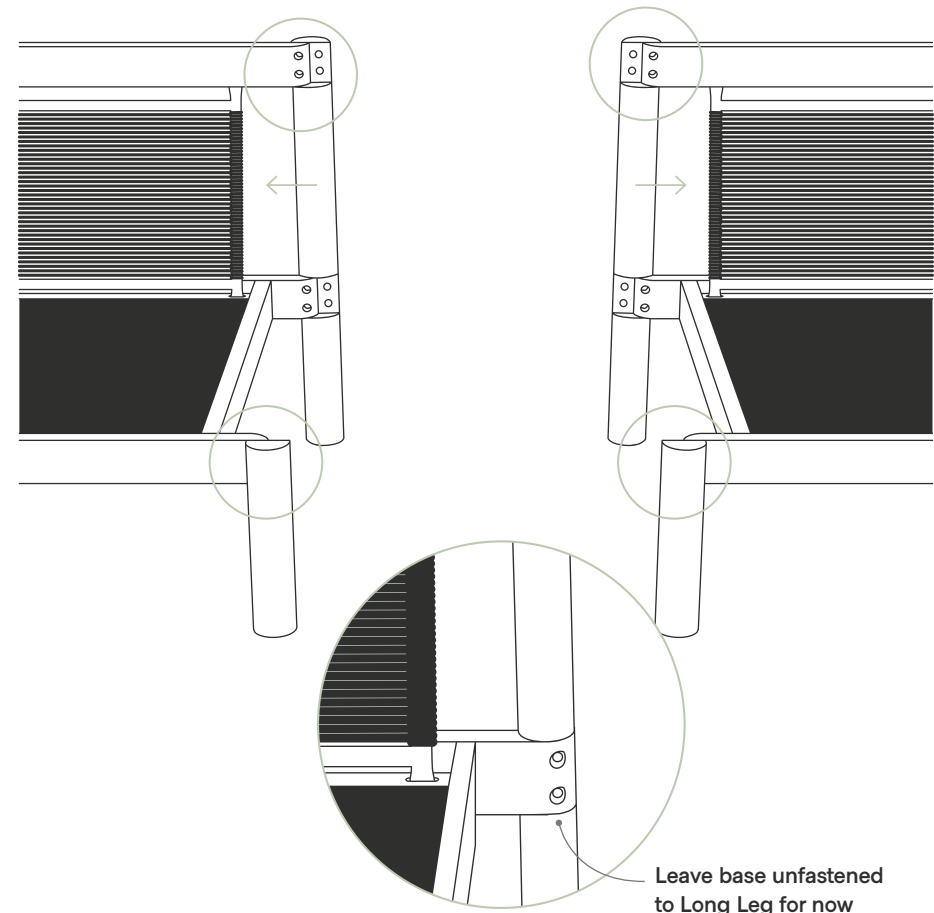
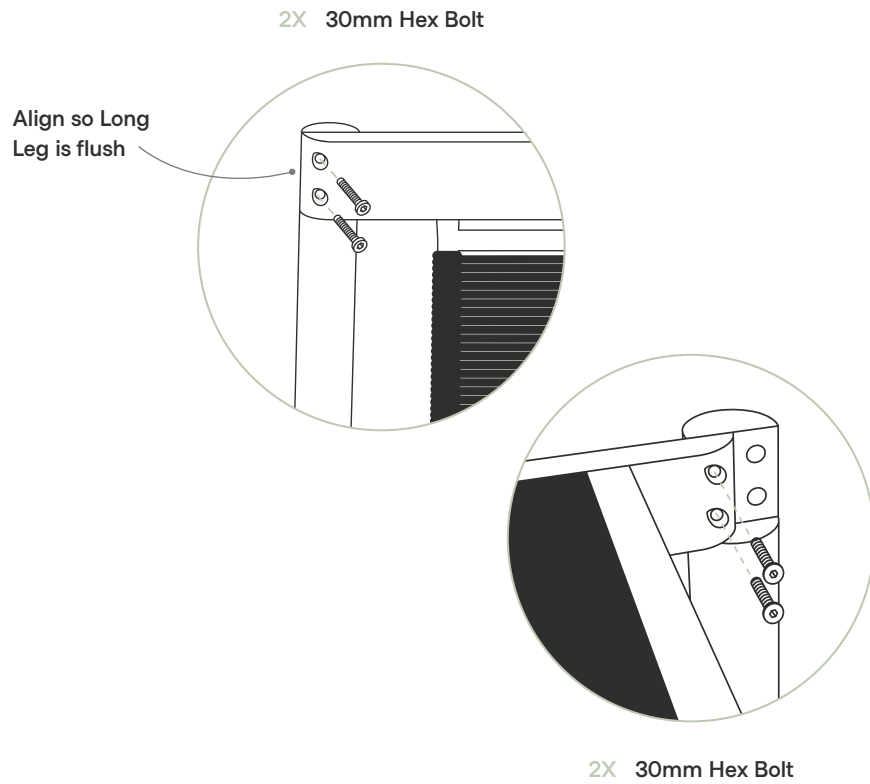
Avoid prolonging mildew growth. If left in the shade for extended periods, this can be common. If you live in a particularly humid or rainy climate, keep a closer eye on mildew growth and clean as needed.

Covering your furniture when not in use will greatly prolong the lifespan of the wood.

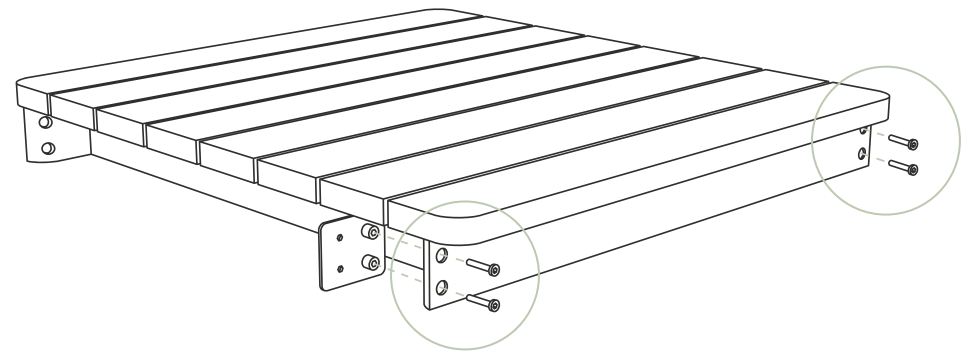
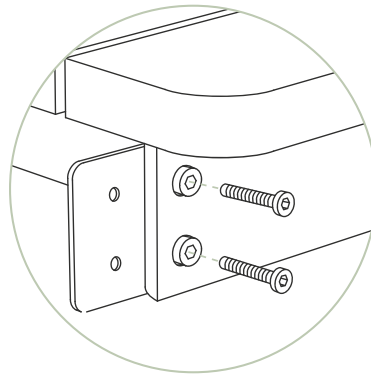


Change Long Leg position

Move the Long Leg on adjacent module(s) over one bolt hole so leg is flush with Back Support and Seat Base. Leave the Seat Base(s) unfastened to the Long Leg. All other components can be fastened with 30mm Hex Bolts.



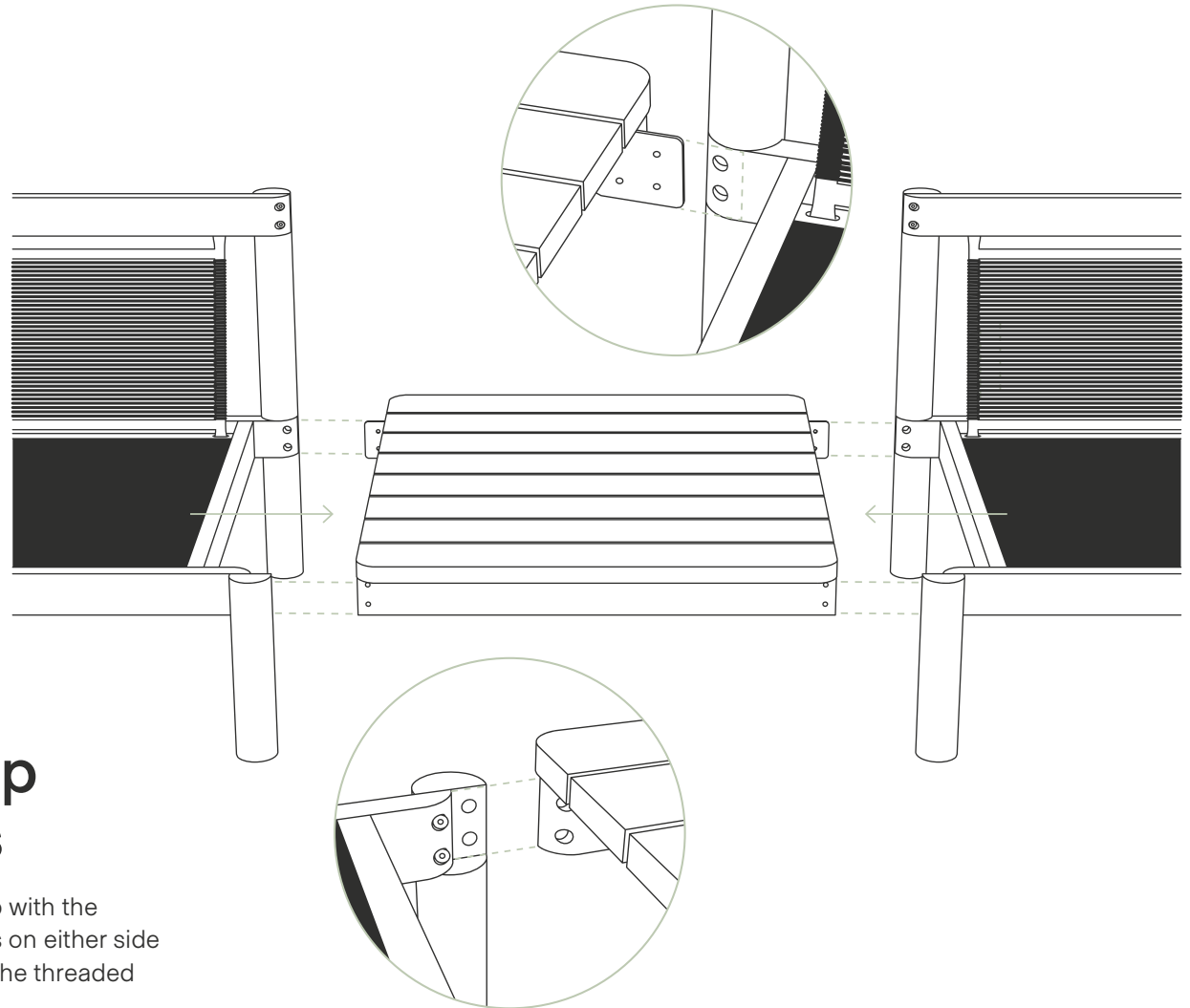
4X 25mm Hex Bolt



1

Attach brackets to table top

Next, insert the brackets into the holes of the In-line Table Top and secure with four 25mm Hex Bolts.

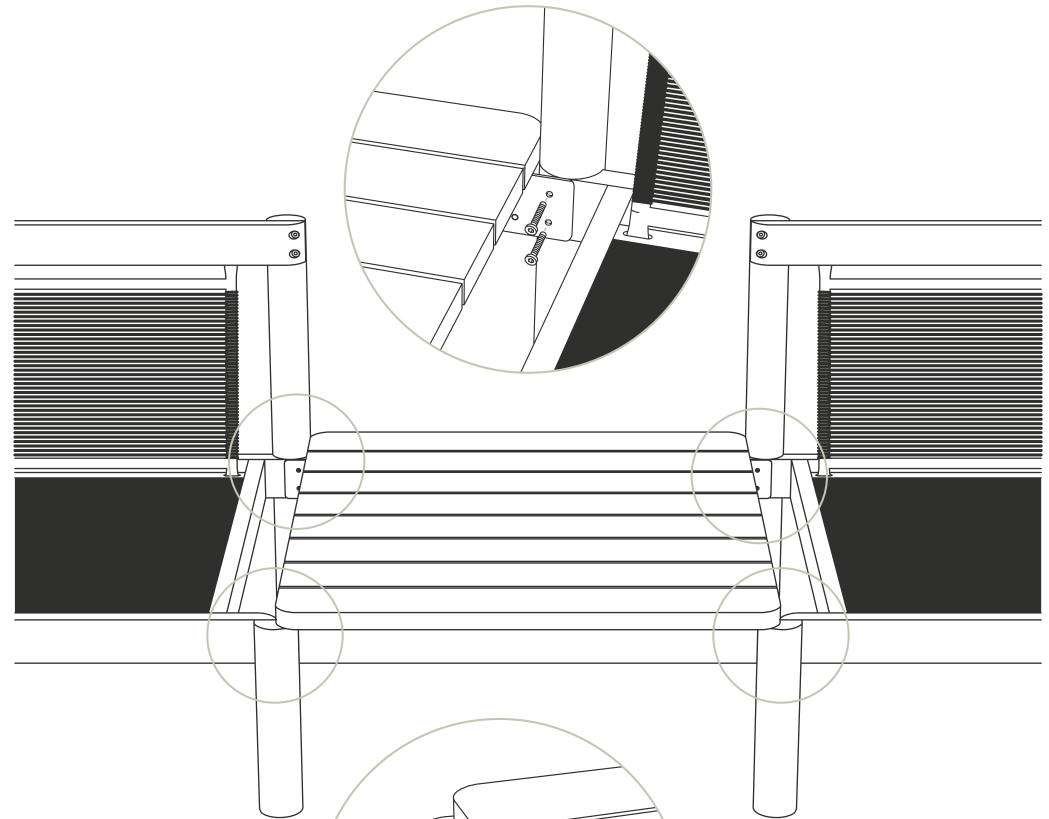


2

Align table top with modules

Gently align the In-line Table Top with the threaded holes on the Short Legs on either side and align the bracket holes with the threaded holes on the back Long Legs.

4X 45mm Hex Bolt



3

Fasten table top to modules

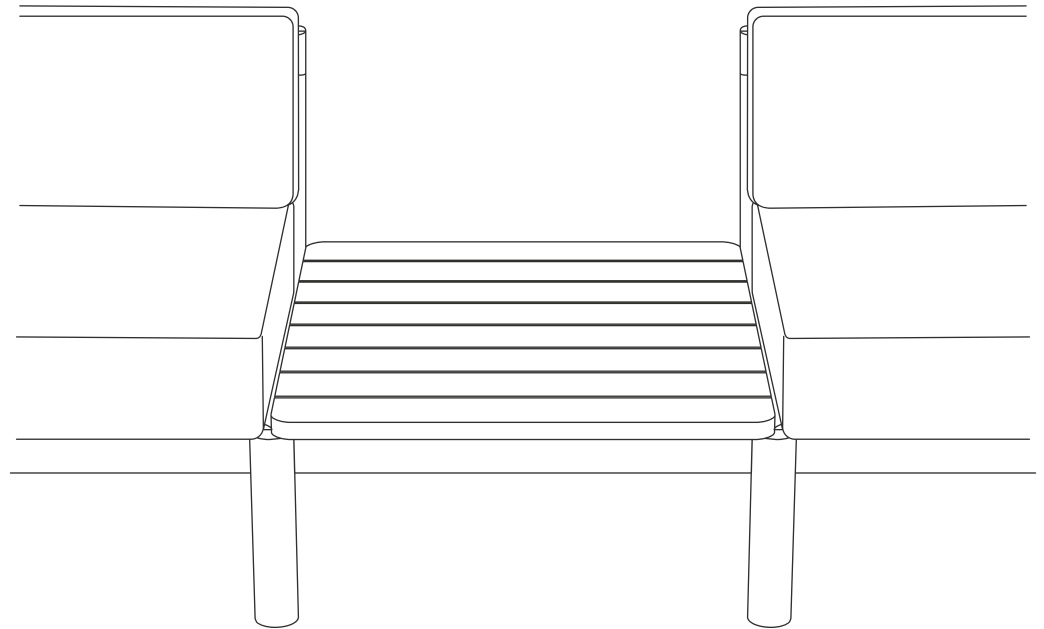
Using the Allen Wrench provided, fasten the In-line Table Top to the modules on either side with four 30mm Hex Bolts on Short Legs and four 45mm Hex Bolts on Long Legs.

4X 30mm Hex Bolt

4

Add cushions

With the zipper seam facing backward, add the base cushions to adjacent modules and tie down. Finally, add the back cushion. Relax! Your table is ready to enjoy.



Contact

Have questions, comments, or feedback?
We love hearing from customers.

support@hineighbor.com
hineighbor.com

neighbor