

Haven Chair-and-a-Half

Assembly Guide

neighbor

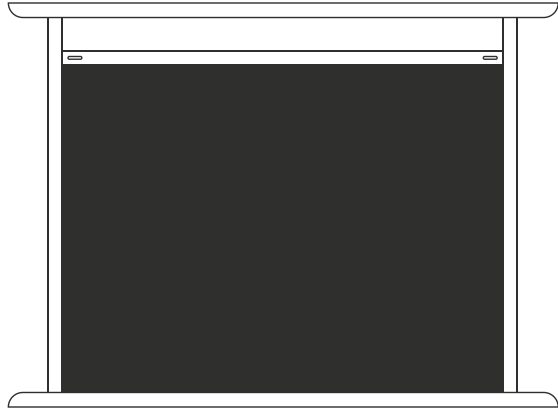
Frame Boxes

✓ Chair-and-a-Half Frame (1)

Cushion Boxes

✓ Cushions - Chair-and-a-Half (1)

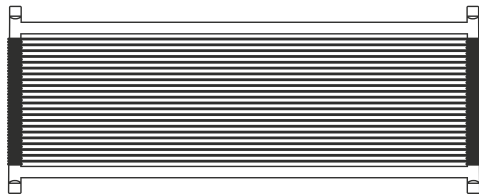
Parts



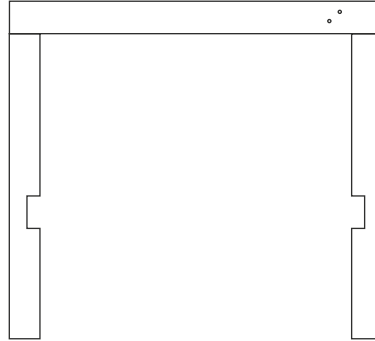
1X Chair-and-a-Half Base
Chair-and-a-Half Frame Box



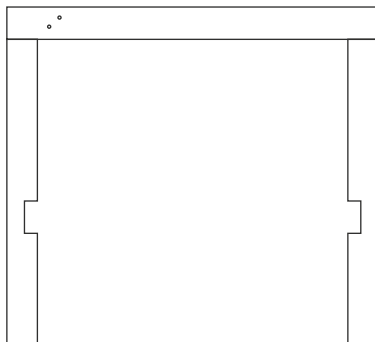
1X Chair-and-a-Half Back Support
Chair-and-a-Half Frame Box



1X Chair-and-a-Half Roped Back
Chair-and-a-Half Frame Box



1X Left Arm
Chair-and-a-Half Frame Box

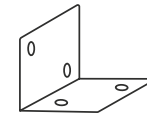


1X Right Arm
Chair-and-a-Half Frame Box

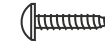
Hardware



8X 30mm Hex Bolt
Chair-and-a-Half Frame Box



2X L-Bracket
Chair-and-a-Half Frame Box

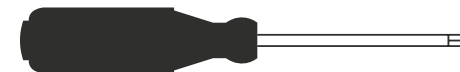


8X Phillips Head Screw
Chair-and-a-Half Frame Box

Tools



Allen Wrench
Chair-and-a-Half Frame Box



Phillips Head Screwdriver
*Not included

Cushions



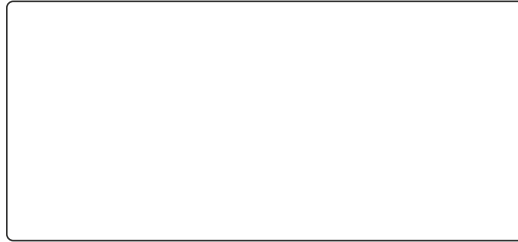
1X Chair-and-a-Half Base Cushion

Chair-and-a-Half Cushions Box



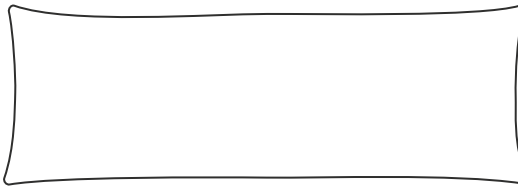
2X Chair-and-a-Half Arm Cushion

Chair-and-a-Half Cushions Box



1X Chair-and-a-Half Back Cushion

Chair-and-a-Half Cushions Box



1X Chair-and-a-Half Throw Pillow

Chair-and-a-Half Cushions Box

Assembly Tips

Use caution when lifting

Two-person lift is recommended. The boxes and product are both large and heavy.

Lay everything out before you begin

Getting familiar with all the components before assembly will make for a faster and easier assembly process.

Assemble on a soft surface

We recommend assembling your furniture on a soft surface such as a rug or a towel. The wood frame can scratch against harsh textures like brick or concrete.

Loose first, then tight

Partly tighten the hex bolts while assembly. After the modules are fully assembled, tighten the bolts firmly. Keep in mind humidity levels can slightly affect how the pieces fit together.

Product Care

Caring for teak

Unfinished teak will gradually change color from honey gold to a silver-gray patina. We encourage allowing the teak to turn color naturally and cleaning it annually or bi-annually. As for cleaning, we recommend Golden Teak Cleaner, which is specifically designed to kill mold and mildew spores inside teak.

Avoid prolonging mildew growth. If left in the shade for extended periods, this can be common. If you live in a particularly humid or rainy climate, keep a closer eye on mildew growth and clean as needed.

Covering your furniture when not in use will greatly prolong the lifespan of the wood.

Caring for Sunbrella

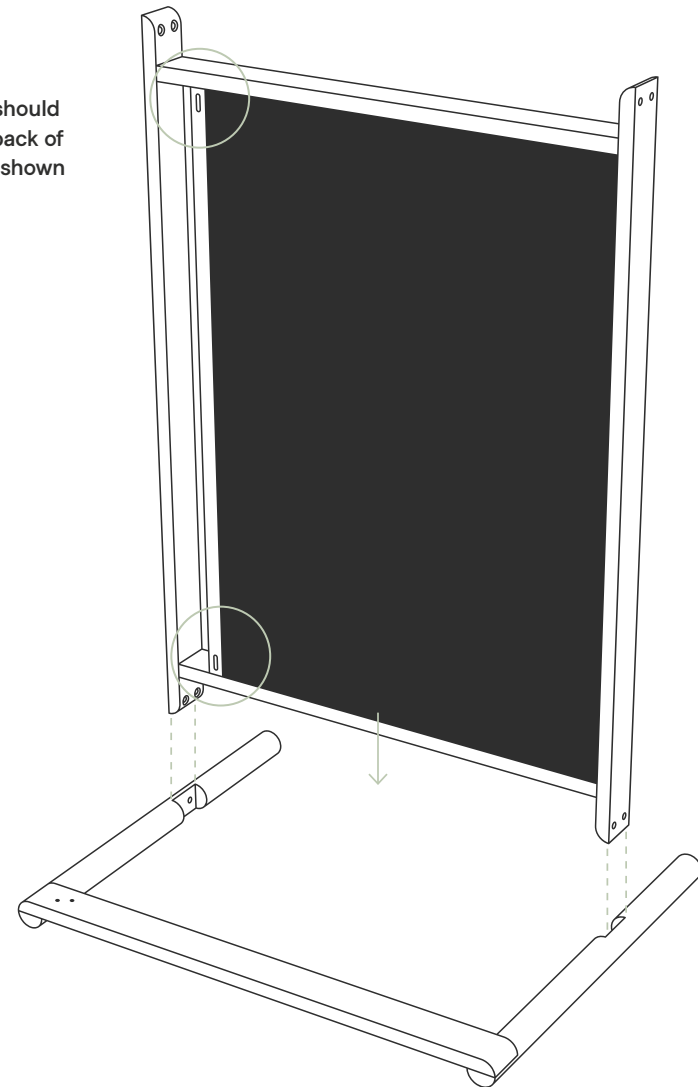
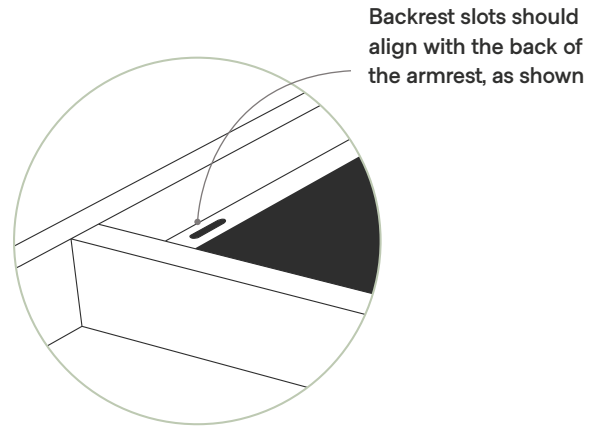
Brush off dirt before it becomes embedded in the fabric and wipe up spills as soon as they happen. Rinse thoroughly and air dry. Avoid scrubbing, stiff bristle brushes, or any other abrasive cleaning method.

Protect the area around your furniture when using bleach or other chemical solvents that may discolor non-Sunbrella fabrics.

If fabric is wrinkled, use an iron on the synthetic setting. As iron temperatures may vary, test a small area first before ironing the entire piece. Do not use a steamer or an iron set to the steam setting.

Fabric stain removal

- Blot (don't rub) liquid spills with a clean, dry cloth. For oil-based spills, apply an absorbent such as corn starch then remove with a straight edge.
- Spray on a mild cleaning solution of soap (such as Woolite® or Dawn®) and water and lightly agitate with a sponge or gentle brush.
- Rinse the fabric thoroughly to remove all soap residue.
- Air dry.
- As needed, unzip and machine-wash covers.



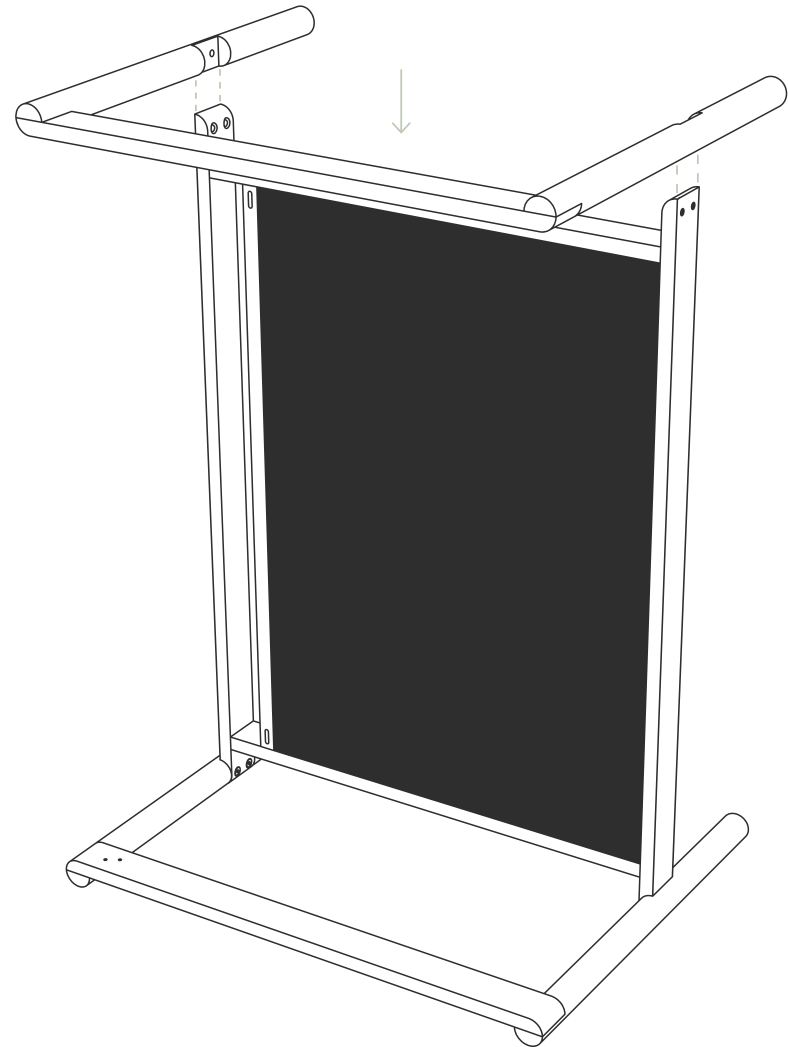
1

Connect base to left arm

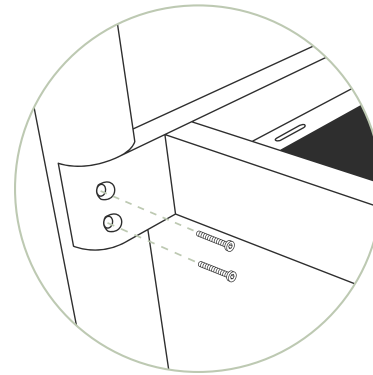
Place the Left Arm on a soft surface with the two screw holes facing up. Gently insert the Chair-and-a-Half Base into the arm's inner slots.

2 Connect right arm to base

Gently insert the Right Arm by sliding it into the Chair-and-a-Half Base until its holes are aligned with the base's corresponding threaded holes.

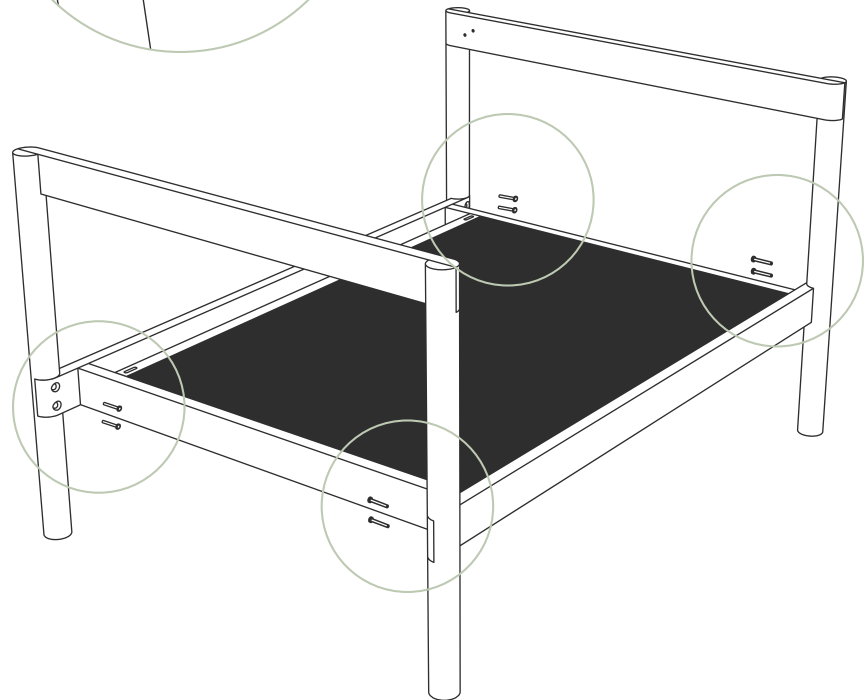


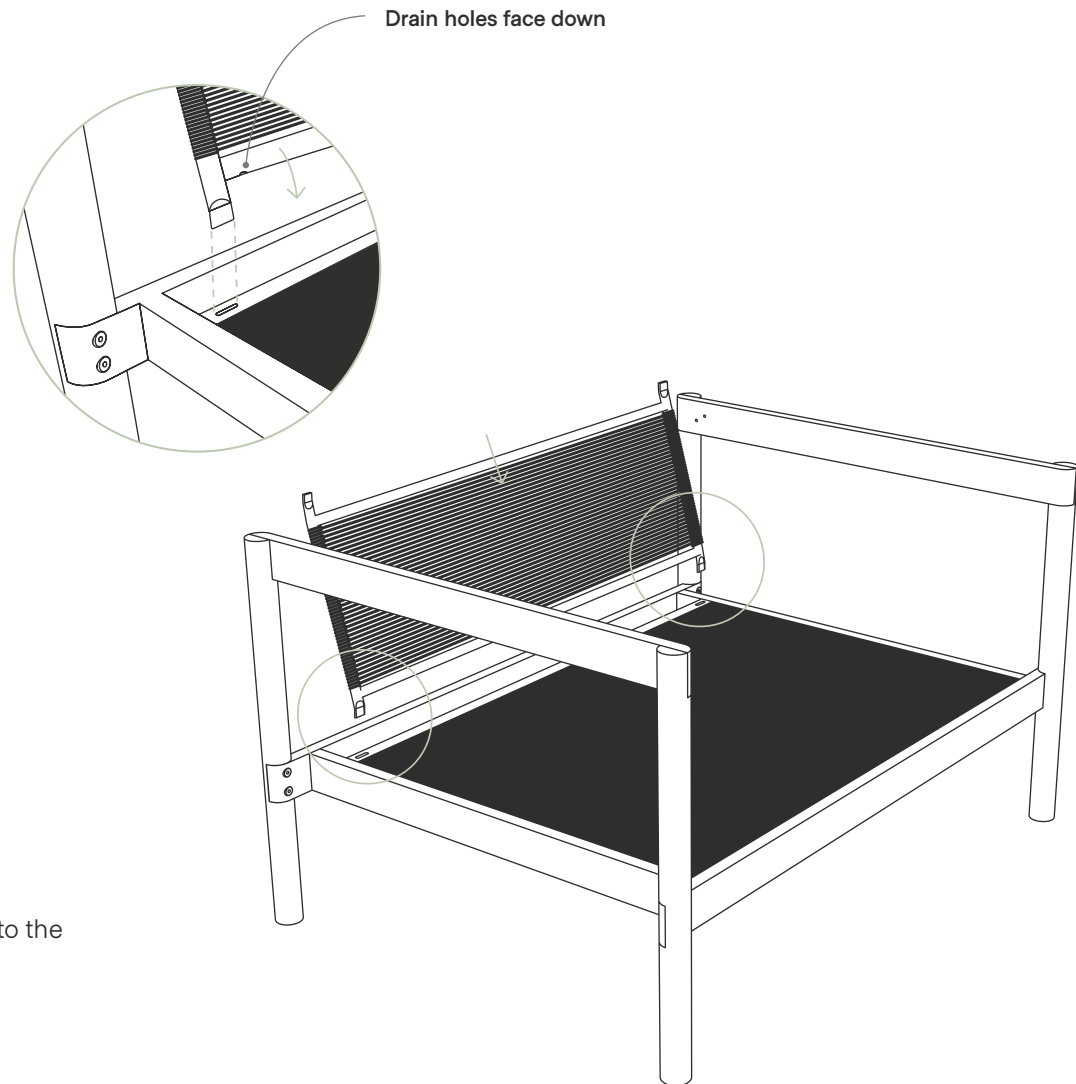
8X 30mm Hex Bolt



3 Fasten arms to base

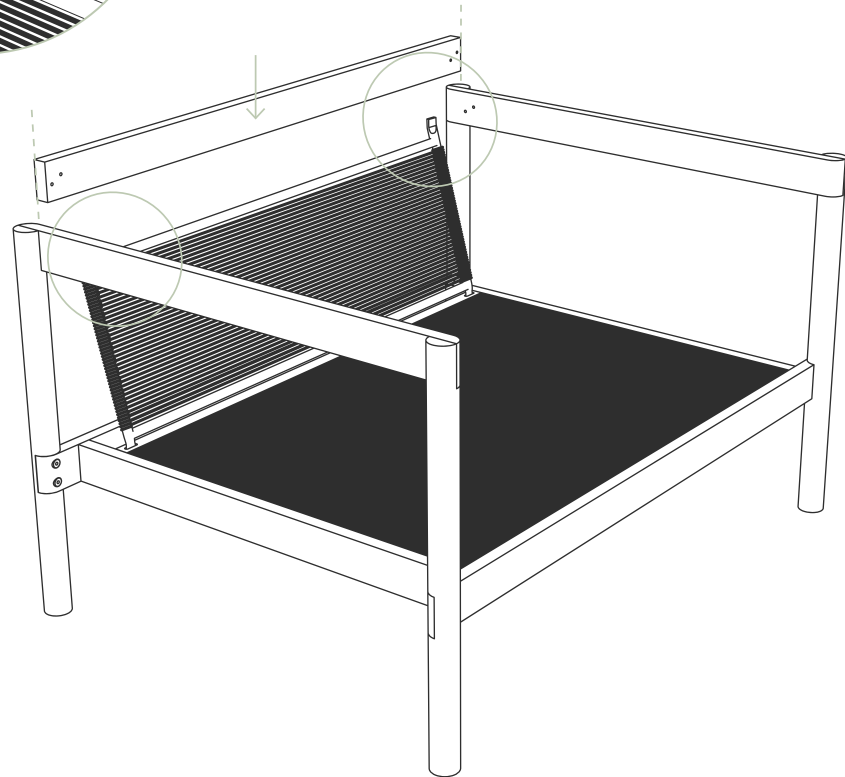
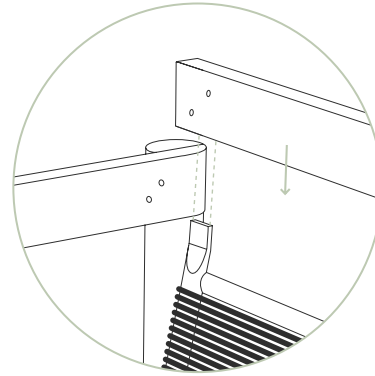
Using the Allen Wrench provided, fasten the Chair-and-a-Half Base to the Left and Right Arms with four 30mm Hex Bolts per side.





4 Secure roped back to base

Insert the Chair-and-a-Half Roped Back into the slots of the Chair-and-a-Half Base.

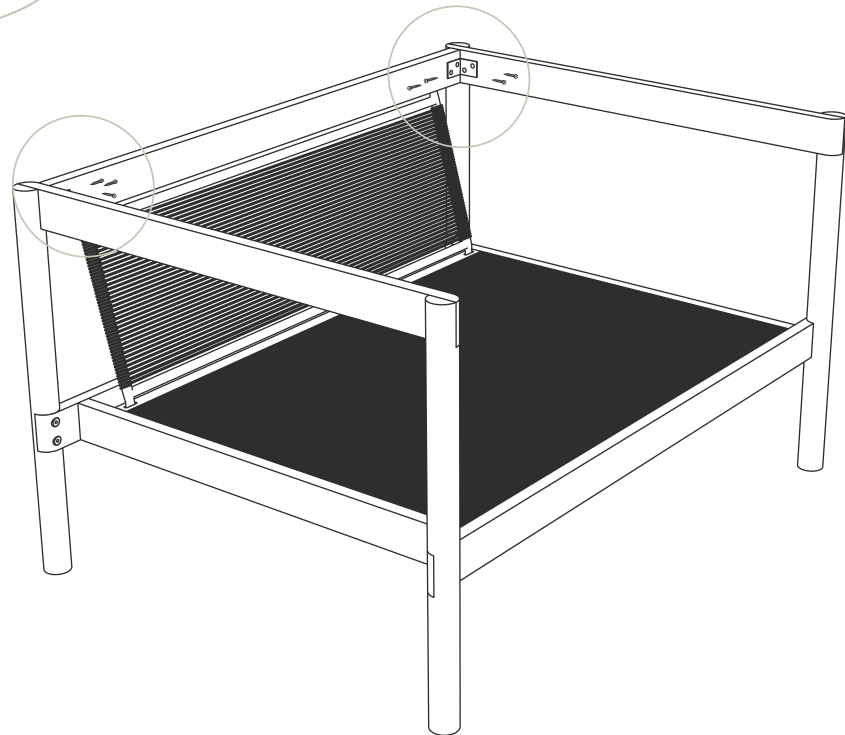
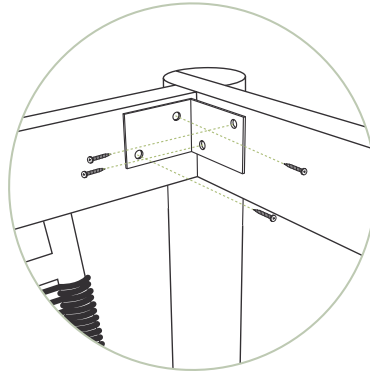


5

Attach back support to roped back

Lower the Chair-and-a-Half Back Support onto the Chair-and-a-Half Roped Back by fitting the tabs into their corresponding slots, then insert.

8X Phillips Head Screw



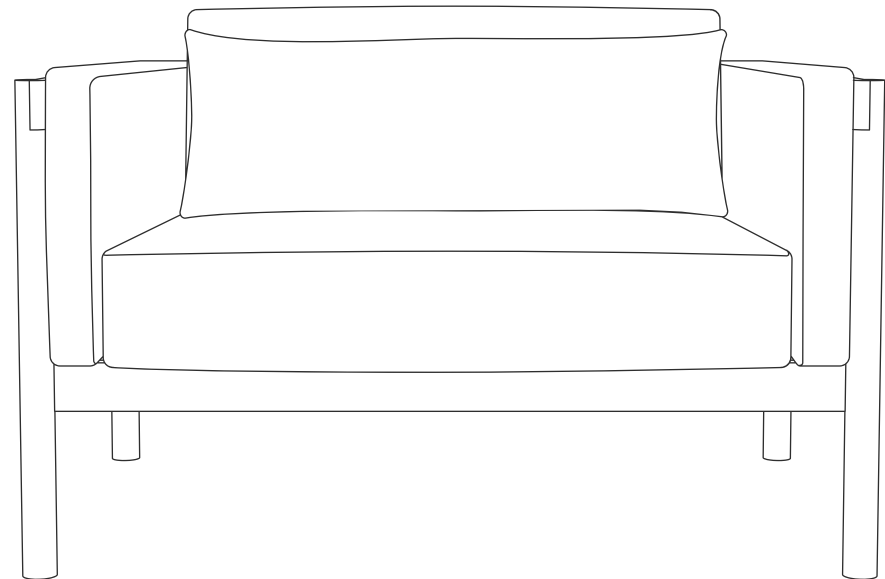
6

Fasten back support to arms

Align the holes on the L-Bracket to the pre-drilled holes on the Left Arm and Chair-and-a-Half Back Support. With a Phillips Head Screwdriver, fasten with four Phillips Head Screws. Repeat on opposite side.



3x



7

Add cushions

With the zipper seams facing backward, add the Arm Cushions to each side. Thread the cushions' laces around the roped back posts and tie them down. Then, add the Chair-and-a-Half Base Cushion and finally, the Back Cushion. Relax! You're ready to enjoy your chair.

Contact

Have a question, comment, feedback?
We love hearing from customers.

support@hineighbor.com
hineighbor.com

neighbor