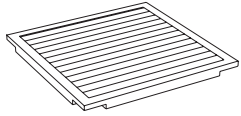


BLUFF COLLECTION

# In-line Table Module

**Components**



1x Table Frame

**Hardware**



1x Allen Wrench

**Packaged separately**



**Legs**  
(Quantity dependent on configuration)



**35mm Hex Bolts**  
(Quantity dependent on configuration)

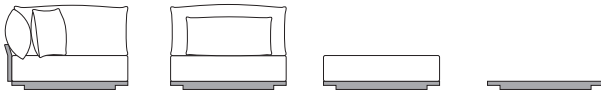
Bluff's four modular components and three interchangeable legs are designed to let you configure your own perfect outdoor seating, with the option to add or change over time.

**Lounge Modules**

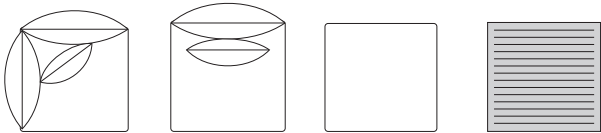
**Table Modules**

**Legs**

FRONT



TOP

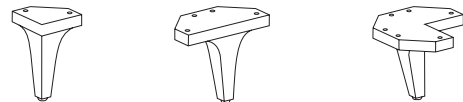


Arm/Corner Module

Armless Module

Ottoman Module

In-line Table

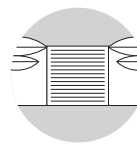


Leg 1  
(for the end of a module)

Leg 2  
(for connecting two modules)

Leg 3  
(for connecting three modules)

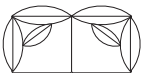
Start with one of our most popular configurations or create your own.



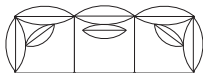
Easily replace any seating module with a table or ottoman module.

Indicates module in this box

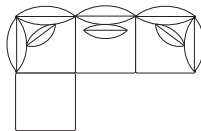
**Loveseat**



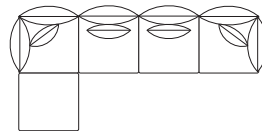
**Sofa**



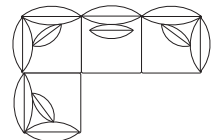
**Sofa + Chaise**



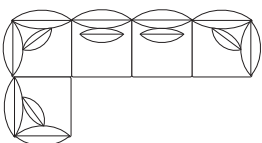
**4-Piece Sofa + Chaise**



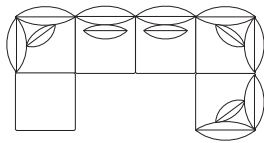
**4-Piece Sectional**



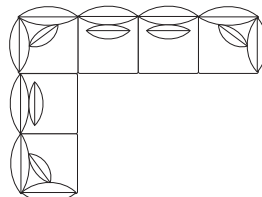
**5-Piece Sectional**



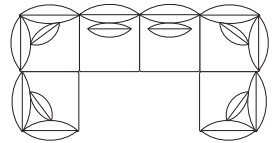
**5-Piece Sectional + Chaise**



**6-Piece Sectional**



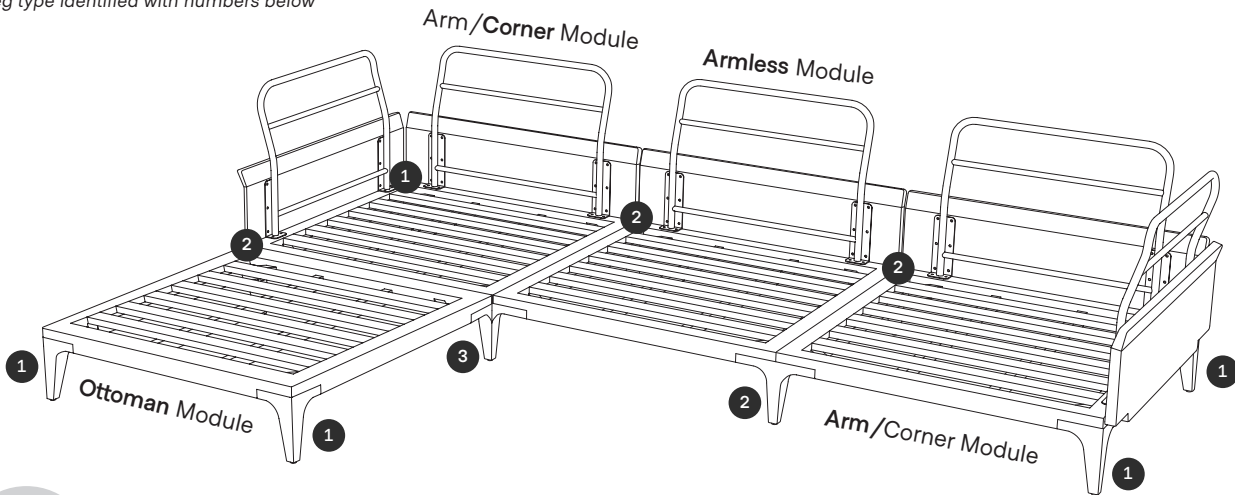
**6-Piece U-Shaped Sectional**



# Assembly Guide

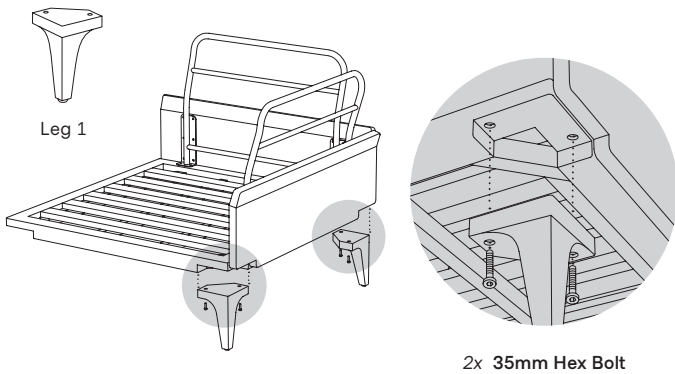
- ⚠ Do NOT use a drill while assembling
- Assemble all parts on a soft surface

Example of fully assembled configuration  
 Leg type identified with numbers below

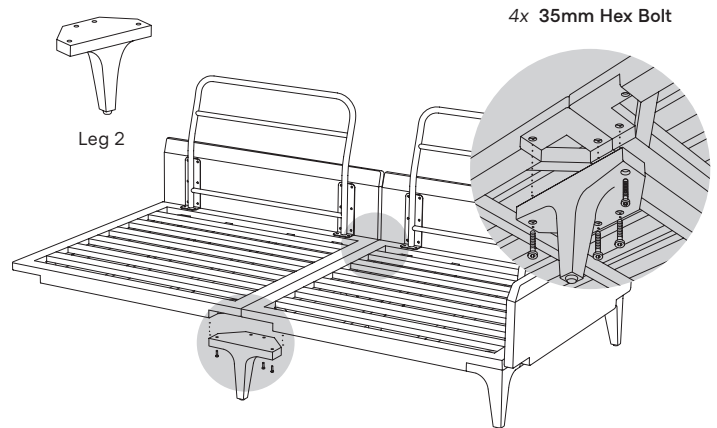


Easily replace any seating module with an in-line table or ottoman module.

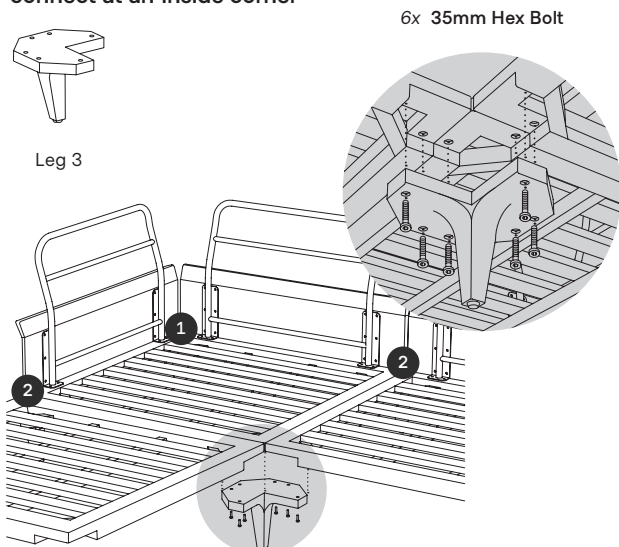
Attach Leg 1 wherever module ends



Attach Leg 2 wherever two modules connect



Attach Leg 3 wherever three modules connect at an inside corner



Once configuration is fully assembled, place Seat Cushions and secure to frame with velcro straps. Slide on Arm and Back Cushions with plush side facing inward.

