

# Sun Lounger

Assembly Guide

*neighbor*

#### Frame Boxes

✓ Sun Lounger Frame (1)

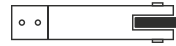
#### Cushion Boxes

✓ Sun Lounger Cushion (1)

# Parts



**1X Frame**  
Sun Lounger Frame Box

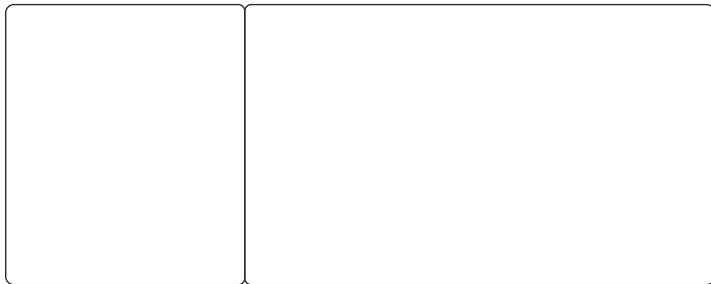


**2X Wheel Leg**  
Sun Lounger Frame Box



**2X Short Leg**  
Sun Lounger Frame Box

# Cushions



**1X Sun Lounger Cushion**  
Sun Lounger Cushion Box

# Hardware



**8X 40mm Hex Bolt**  
Sun Lounger Frame Box

# Tools



**1X Allen Wrench**  
Sun Lounger Frame Box

## Assembly Tips

### Use caution when lifting

Two-person lift is recommended. The boxes and product are both large and heavy.

### Lay everything out before you begin

Getting familiar with all the components before assembly will make for a faster and easier assembly process.

### Assemble on a soft surface

We recommend assembling your furniture on a soft surface such as a rug or a towel. The wood frame can scratch against harsh textures like brick or concrete.

### Loose first, then tight

Partly tighten the hex bolts while assembling. After the modules are fully assembled, tighten the bolts firmly. Keep in mind humidity levels can slightly affect how the pieces fit together.

## Product Care

### Caring for teak

Unfinished teak will gradually change color from honey gold to a silver-gray patina. We encourage allowing the teak to turn color naturally and cleaning it annually or bi-annually. As for cleaning, we recommend Golden Teak Cleaner, which is specifically designed to kill mold and mildew spores inside teak.

Avoid prolonging mildew growth. If left in the shade for extended periods, this can be common. If you live in a particularly humid or rainy climate, keep a closer eye on mildew growth and clean as needed.

Covering your furniture when not in use will greatly prolong the lifespan of the wood.

### Caring for Sunbrella

Brush off dirt before it becomes embedded in the fabric and wipe up spills as soon as they happen. Rinse thoroughly and air dry. Avoid scrubbing, stiff bristle brushes, or any other abrasive cleaning method.

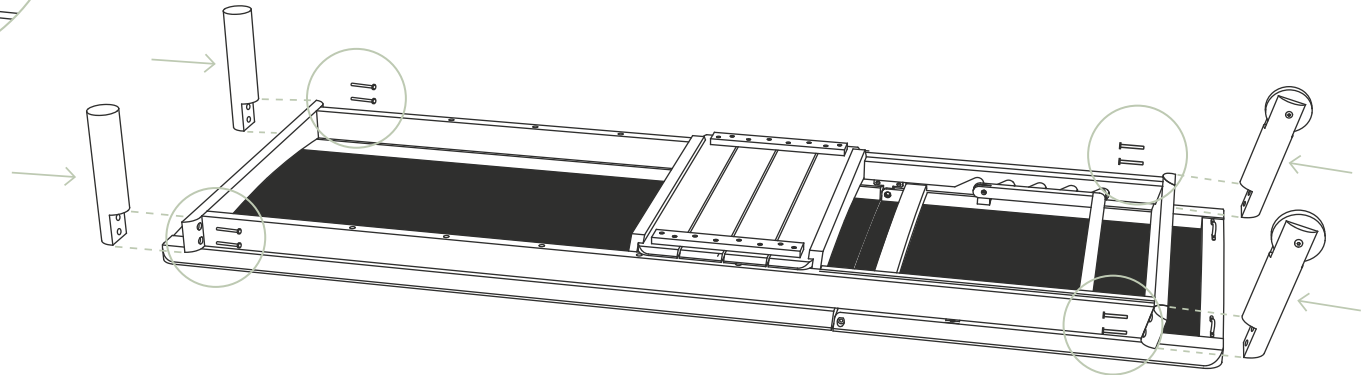
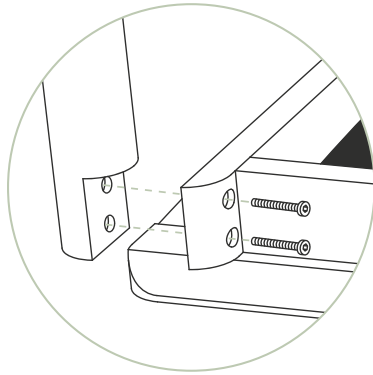
Protect the area around your furniture when using bleach or other chemical solvents that may discolor non-Sunbrella fabrics.

If fabric is wrinkled, use an iron on the synthetic setting. As iron temperatures may vary, test a small area first before ironing the entire piece. Do not use a steamer or an iron set to the steam setting.

### Fabric stain removal

- Blot (don't rub) liquid spills with a clean, dry cloth. For oil-based spills, apply an absorbent such as corn starch then remove with a straight edge.
- Spray on a mild cleaning solution of soap (such as Woolite® or Dawn®) and water and lightly agitate with a sponge or gentle brush.
- Rinse the fabric thoroughly to remove all soap residue.
- Air dry.
- As needed, unzip and machine-wash covers.

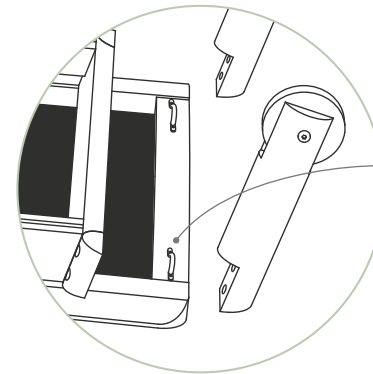
8X 40mm Hex Bolt



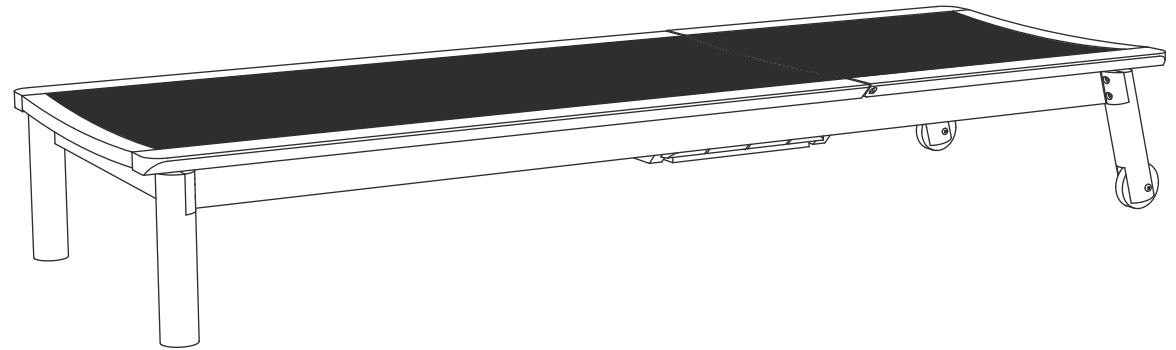
# 1

## Connect legs to frame

Place the Frame on a soft surface facing down. Using the Allen wrench provide, fasten the Short Legs, and Wheel Legs to the Frame with two 40mm Hex Bolts per leg.



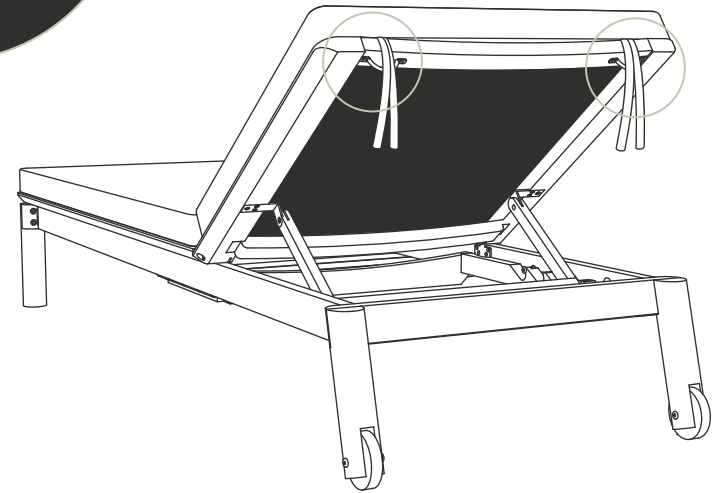
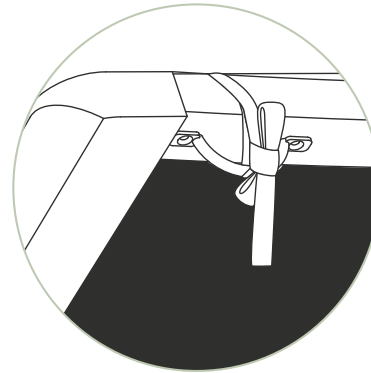
Wheel Legs should be installed on the same side as the metal eyelets on the frame, as shown.



# 2

## Stand upright

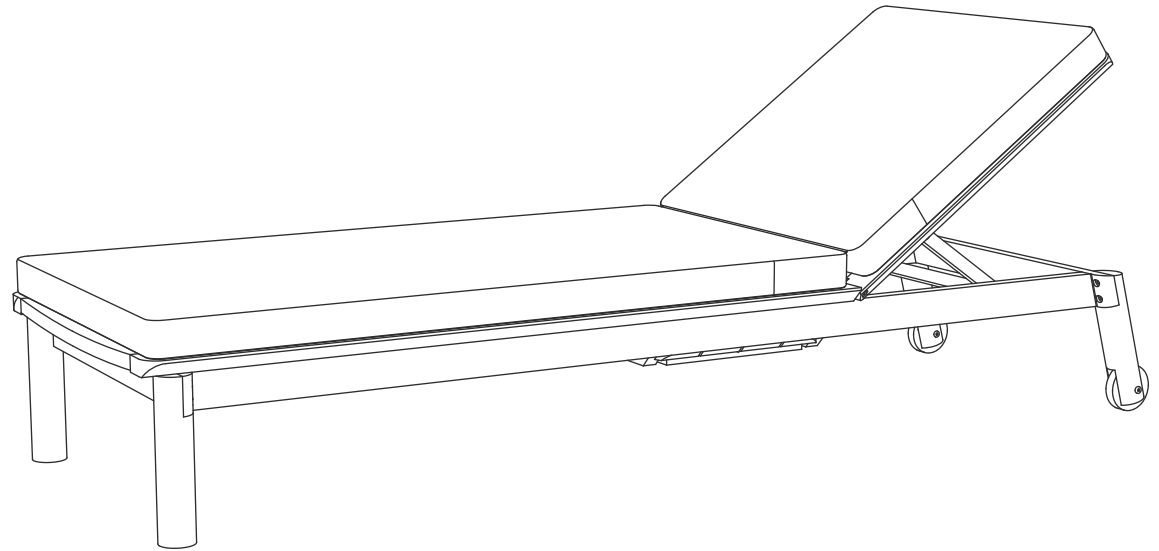
Lift and stand Frame upright.



# 3

## Tie down cushions

Place Sun Lounger Cushion on Frame, then secure cushion with ties to metal eyelets.



# 4

## Complete!

Relax! Your Sun Lounger is ready to enjoy.



# Contact

Have a question, comment, feedback?  
We love hearing from customers.

[support@hineighbor.com](mailto:support@hineighbor.com)  
[hineighbor.com](http://hineighbor.com)

*neighbor*