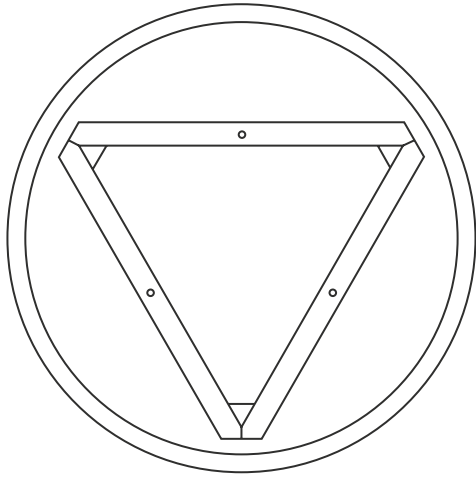


Round Side Table

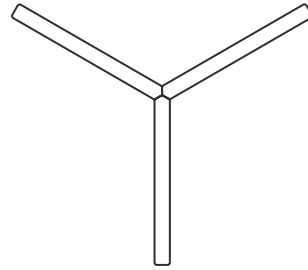
Assembly Guide

neighbor

Parts



1X Concrete Top
Round Side Table Box



1X Strut
Round Side Table Box



3X Legs
Round Side Table Box

Hardware



6X 70mm Hex Bolt
Round Side Table Box



3X 40mm Hex Bolt
Round Side Table Box

Tools



Allen Wrench
Round Side Table Box

Assembly Tips

Use caution when lifting

Two-person lift is recommended. The boxes and product are both large and heavy.

Lay everything out before you begin

Getting familiar with all the components before assembly will make for a faster and easier assembly process.

Assemble on a soft surface

We recommend assembling your furniture on a soft surface such as a rug or a towel. The wood frame can scratch against harsh textures like brick or concrete.

Loose first, then tight

Partly tighten the Hex Bolts while assembling. After the parts are fully assembled, tighten the bolts firmly. Keep in mind humidity levels can slightly affect how the pieces fit together.

Product Care

Caring for teak

Unfinished teak will gradually change color from honey gold to a silver-gray patina. We encourage allowing the teak to turn color naturally and cleaning it annually or bi-annually. As for cleaning, we recommend Golden Teak Cleaner, which is specifically designed to kill mold and mildew spores inside teak.

Avoid prolonging mildew growth. If left in the shade for extended periods, this can be common. If you live in a particularly humid or rainy climate, keep a closer eye on mildew growth and clean as needed.

Covering your furniture when not in use will greatly prolong the lifespan of the wood.

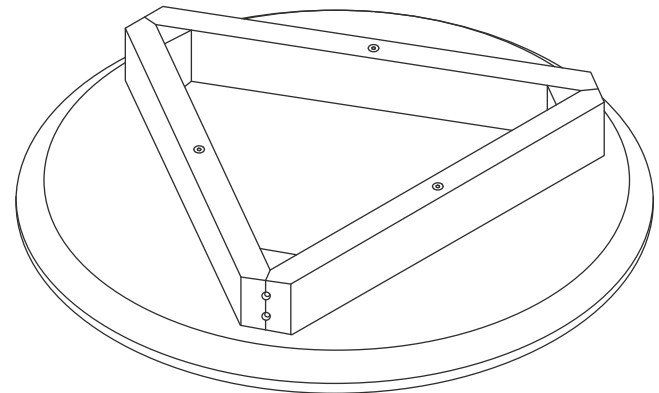
Caring for concrete

Concrete is a natural material and will patina over time. Remove spills immediately to avoid etching (especially with anything acidic — red wine, vinegar, etc.) Clean with a soft cloth; no abrasive cleaners. To protect the surface, apply a natural wax twice a year. Use a 100% cotton towel or applicator pad that won't scratch, apply by hand and wax small areas at a time with tight circular motions. Let the wax dry and polish.

1

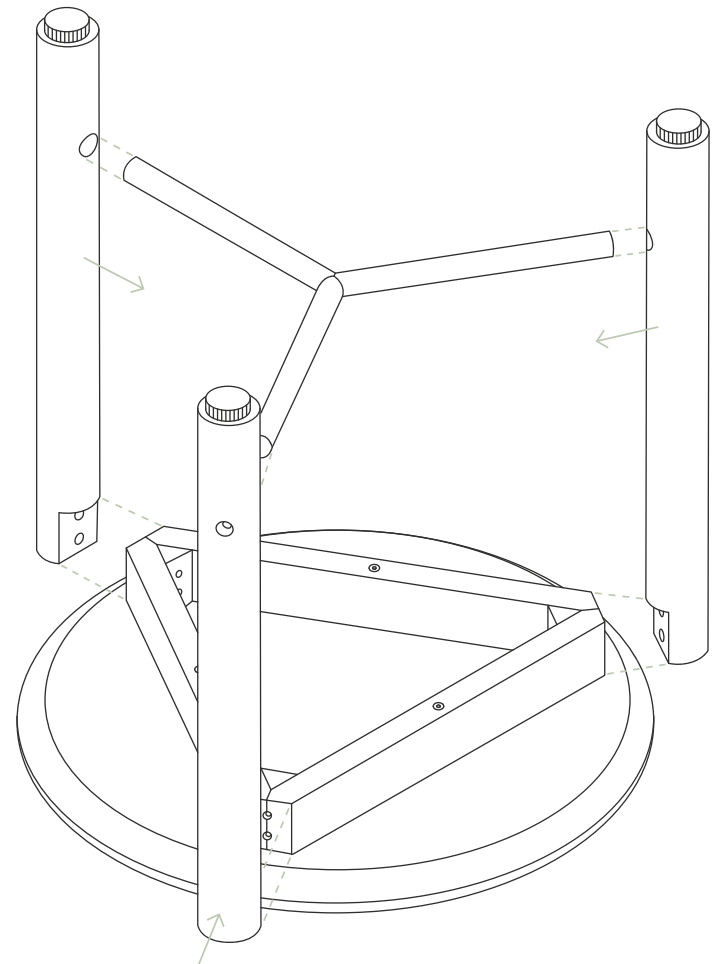
Place top face down

Place the Concrete Top on a soft surface facing down.



2 Attach legs and strut

Gently align legs with the threaded holes on the frame. Insert strut into holes on legs as shown.



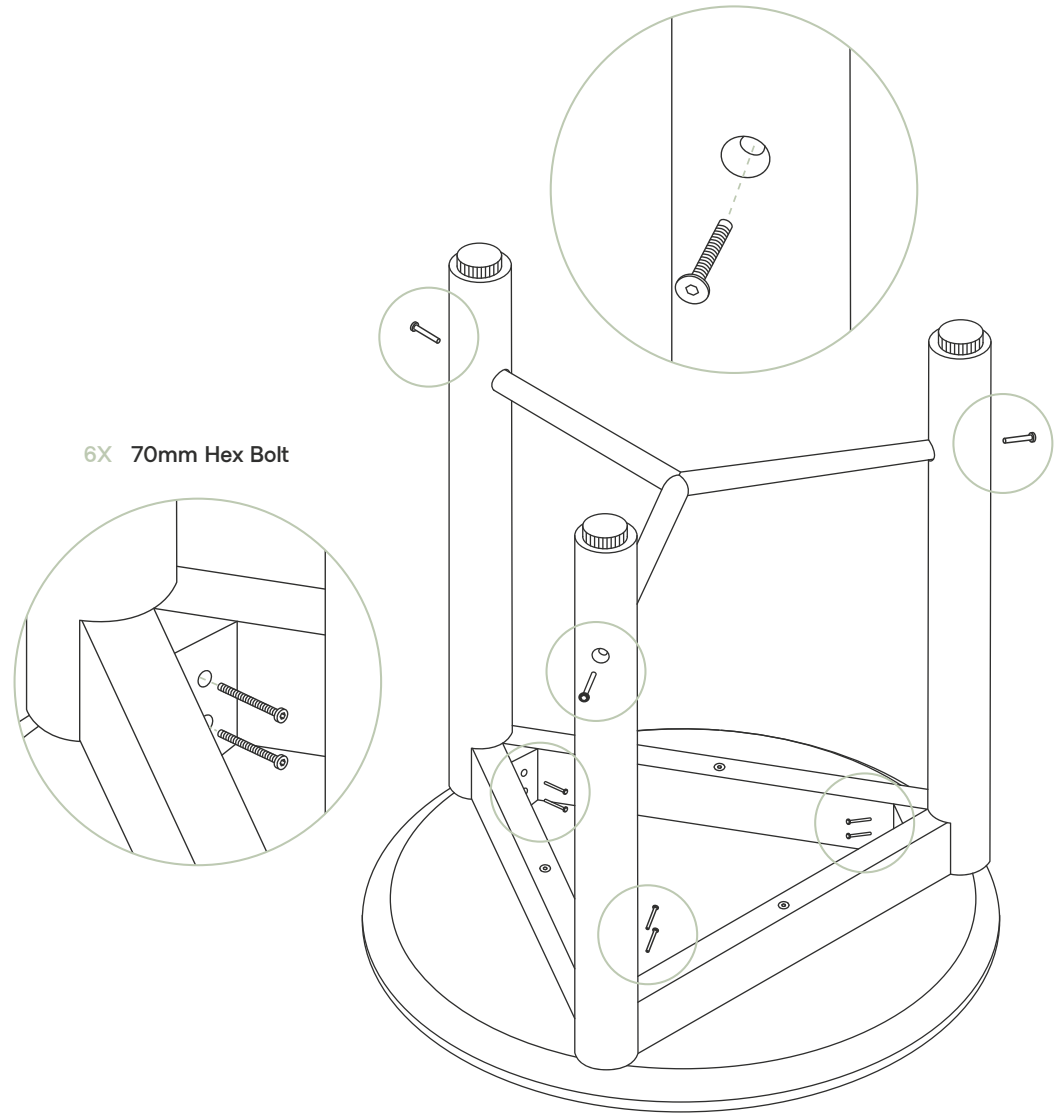
3X 40mm Hex Bolt

6X 70mm Hex Bolt

3

Fasten legs and strut

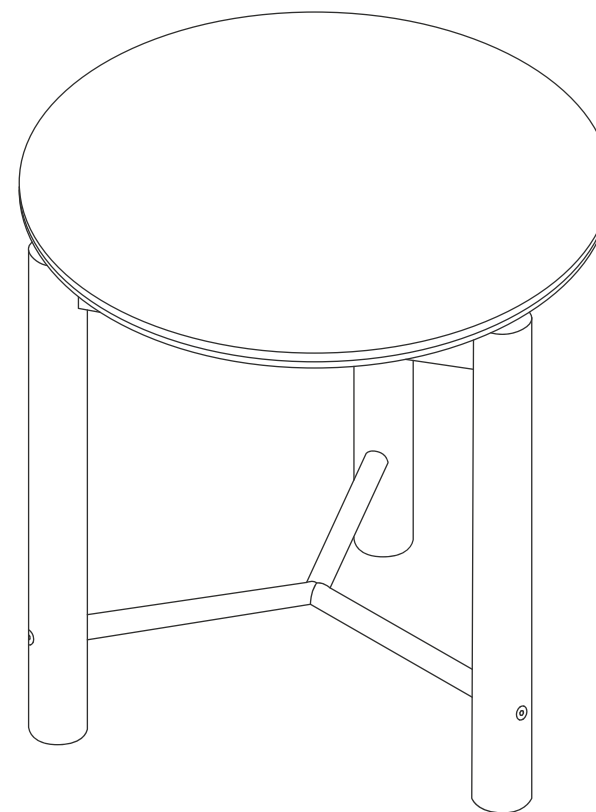
Secure legs to Teak Frame with two 70mm Hex Bolts per leg. Secure legs to Strut with three 40mm Hex Bolts.



4

Complete

Stand upright and your table is ready to enjoy.



Contact

Have a question, comment, feedback?
We love hearing from customers.

support@hineighbor.com
hineighbor.com

neighbor