

The Sofa

Assembly Guide

BOXES NEEDED:

- | | |
|----------------------------|-------------------------------|
| (1) Left Arm Module Frame | (1) Armless Module Cushions |
| (1) Right Arm Module Frame | (1) Left Arm Module Cushions |
| (1) Armless Module Frame | (1) Right Arm Module Cushions |

neighbor

Parts



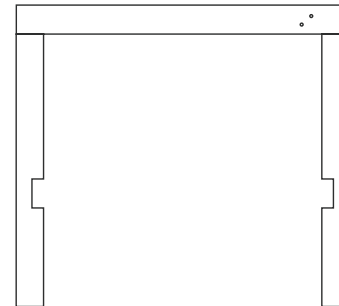
2X Long Base

Left Arm Module Box, Right Arm Module Frame Box



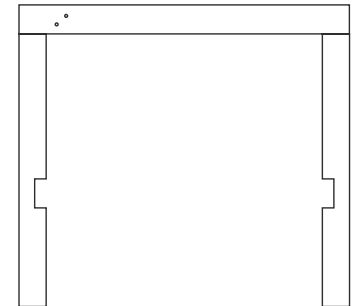
1X Short Base

Armless Module Frame Box



1X Left Arm

Left Arm Module Frame Box



1X Right Arm

Right Arm Module Frame Box



1X Left Arm Module Back Support

Left Arm Module Frame Box



1X Right Arm Module Back Support

Right Arm Module Frame Box



1X Armless Module Back Support

Armless Module Frame Box



2X Large Roped Back

Left Arm Module Frame Box, Right Arm Module Frame Box



1X Armless Module Roped Back

Armless Module Frame Box



2X Large Leg

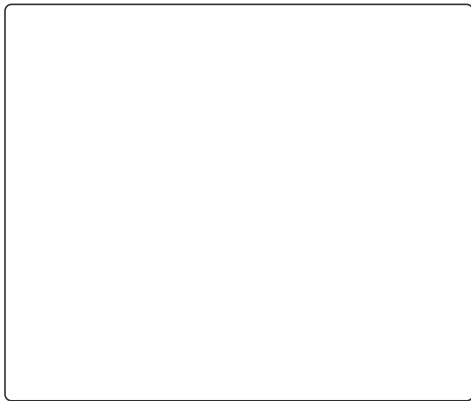
Right Arm Module Frame Box,
Armless Module Frame Box



2X Small Leg

Right Arm Module Frame Box,
Armless Module Frame Box

Cushions



3X Base Cushion

Left Arm Module Cushion Box, Right Arm Module Cushion Box, Armless Module Cushion Box



3X Back Cushion

Left Arm Module Cushion Box, Right Arm Module Cushion Box, Armless Module Cushion Box



2X Arm Cushion

Left Arm Module Cushion Box, Right Arm Module Cushion Box

Hardware



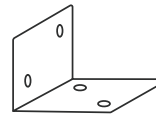
32X Hex Bolt

*Left Arm Module Frame Box
Right Arm Module Frame Box
Armless Module Frame Box*



8X Screw

*Left Arm Module Frame Box
Right Arm Module Frame Box*



2X L-Bracket

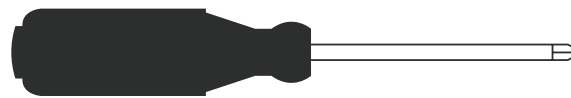
*Left Arm Module Frame Box
Right Arm Module Frame Box*

Tools



1X Allen Wrench

*Left Arm Module Frame Box
Right Arm Module Frame Box*



Phillips Head Screwdriver

**Not included*

Assembly Tips

Exercise caution while lifting

Two-person lift is recommended. Both the boxes and the product itself are large and heavy and awkward to lift alone.

Lay everything out before you begin

Spreading out all of the components prior to assembling them will help you find the parts you are looking for and will make for a faster and easier assembly process!

Assemble on a soft surface

We recommend assembling your furniture on a soft surface such as a rug(s) or a towel(s). The wood frame can scratch easily if accidentally rubbed against harsh textures like brick or concrete.

Loose first, then tight

Do not fully tighten hex bolts when assembling. Insert them loosely first. After the modules are fully assembled, then tighten the bolts firmly. Differing humidity levels can slightly affect how the pieces fit together and this strategy should alleviate that.

Product Care

Caring for teak

Unfinished teak will gradually change color from a honey gold to a silver-grey patina. We encourage allowing the teak to turn color naturally and cleaning it annually or bi-annually. As for cleaning, we recommend Golden Teak Cleaner, which is specifically designed to kill mould and mildew spores inside teak.

Avoid prolonging mildew growth. If left in the shade for extended periods of time, this can be common.

Covering your furniture for extended periods of time, especially if enduring consistent inclement weather will greatly prolong the lifespan of the wood.

Caring for cushion cover fabric

One of the best ways to keep your Sunbrella fabric looking good is to brush off dirt before it becomes embedded in the fabrics and wipe up spills or clean soon after a stain occurs. The quicker you clean spills and stains, the easier they can be to remove.

When removing stains, typically these are the steps you should try:

- Blot (don't rub) liquid spills with a clean, dry cloth. For oil-based spills, apply an absorbent such as corn starch, then remove with a straight edge.

- Spray on a mild cleaning solution of soap (such as Woolite® or Dawn®) and water.
- Rinse the fabric thoroughly to remove all soap residue.
- Air dry.

Avoid scrubbing, hard bristle brushes or any other abrasive cleaning method.

Sunbrella should only be allowed to air dry.

Protect the area around your Sunbrella fabric when using bleach or other chemical solvents that may discolor non-Sunbrella fabrics. Always rinse Sunbrella thoroughly.

Bleach can have harmful effects on the natural environment around you. Please follow all safety and environmental precautions according to the bleach label.

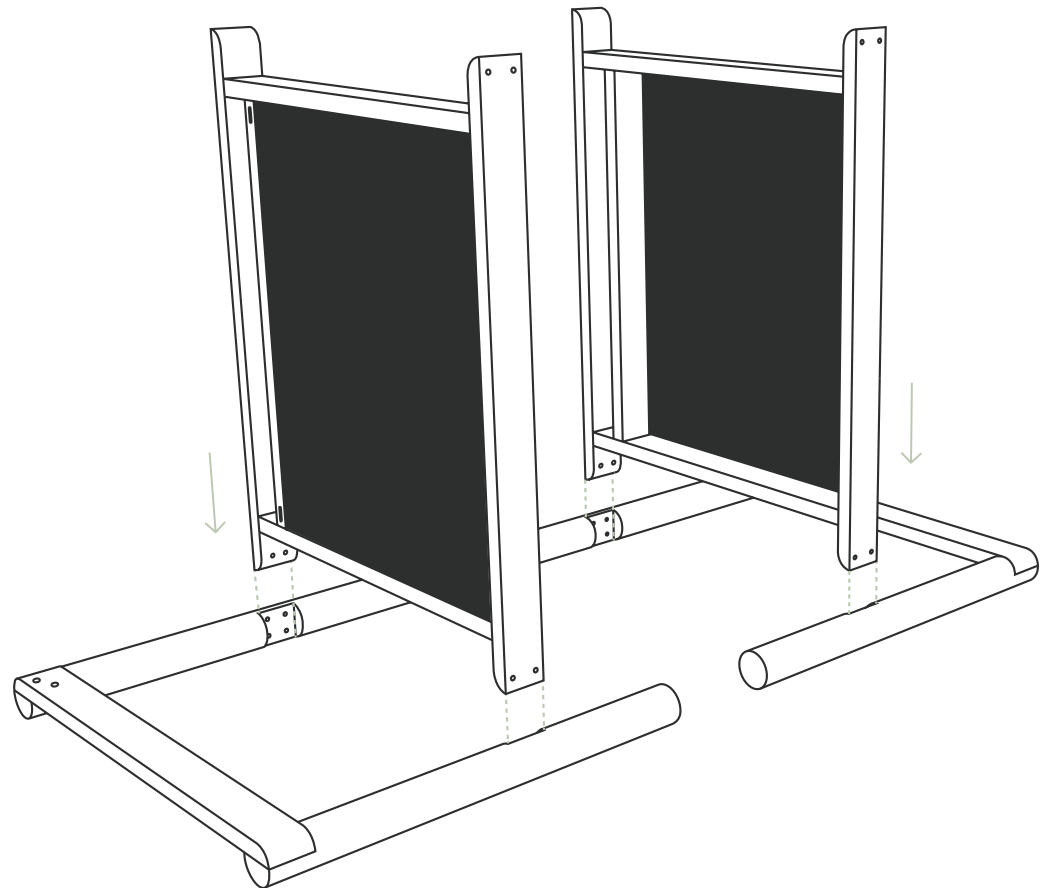
If fabric has some wrinkling, use an iron on the synthetic setting. As iron temperatures may vary, first test a small inconspicuous area before ironing the entire piece.

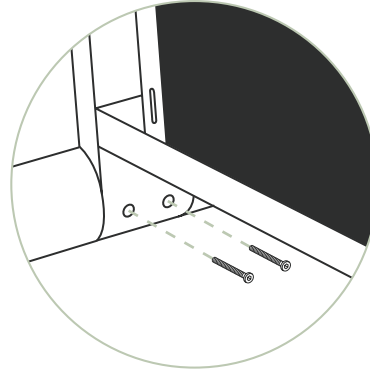
DO NOT use a steamer or an iron set to the steam setting.

1

Connect large bases to arms

Place both the left and right arm components on a soft surface, verifying that the two screw holes are facing upward. Gently insert the long bases into each arm's inner slots



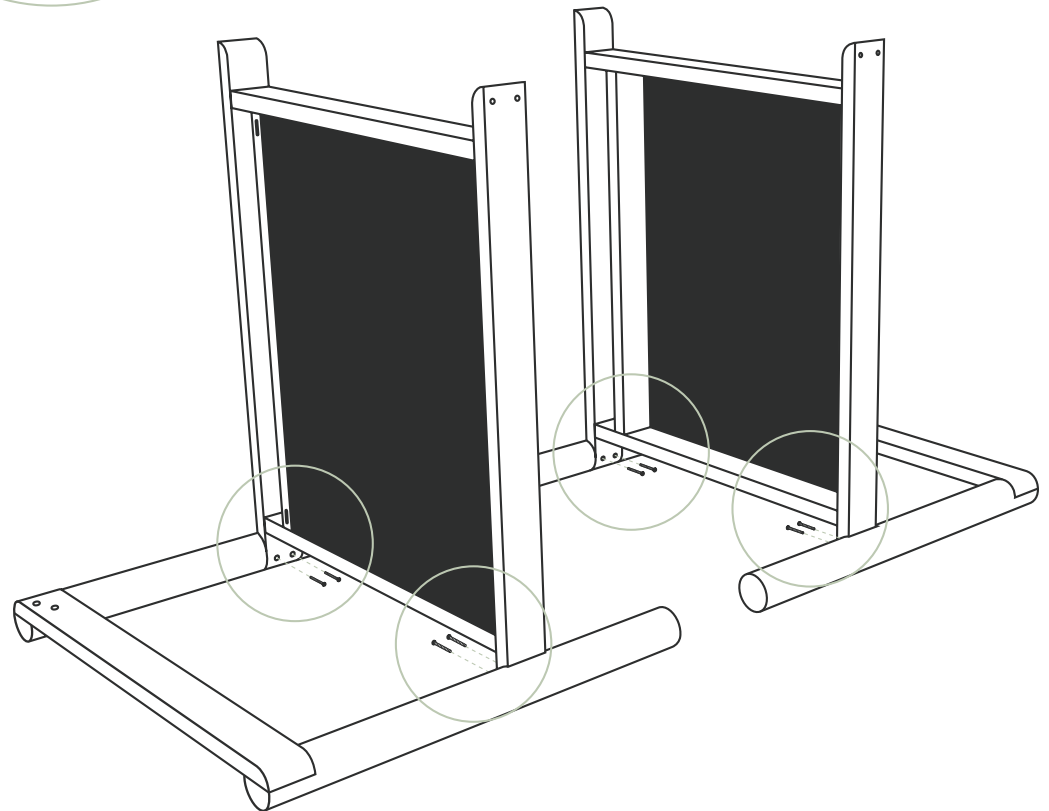


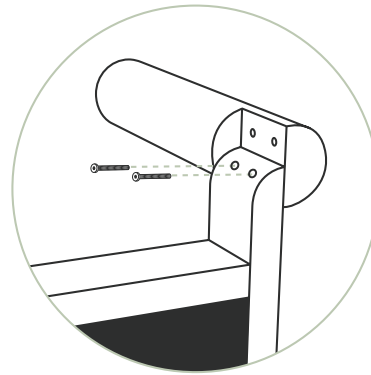
4x

2

Fasten arms to bases

Using the Allen wrench provided, fasten the large bases to both the left and right arm components with two hex bolts.

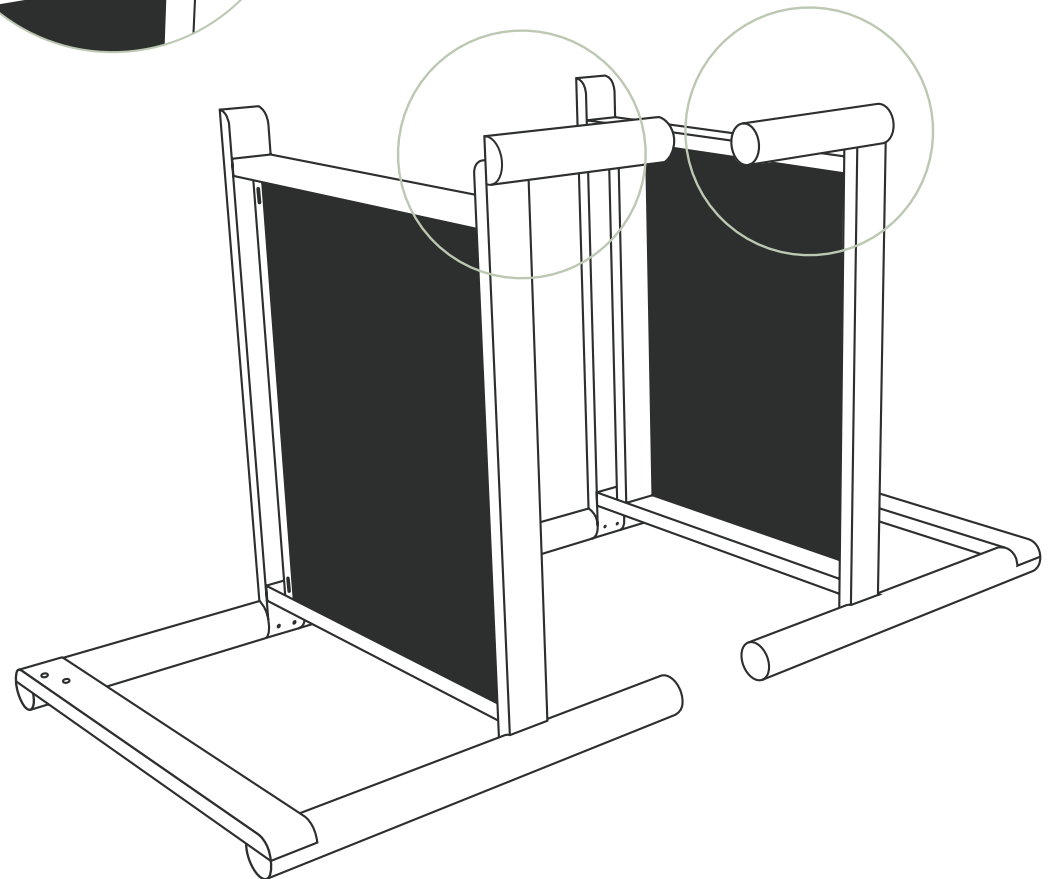




2x

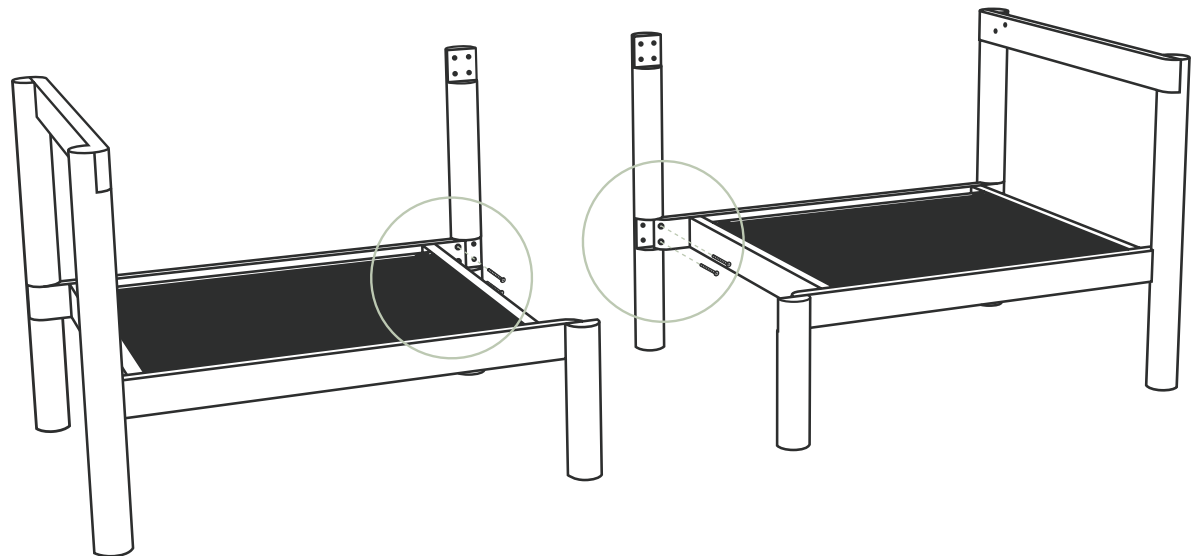
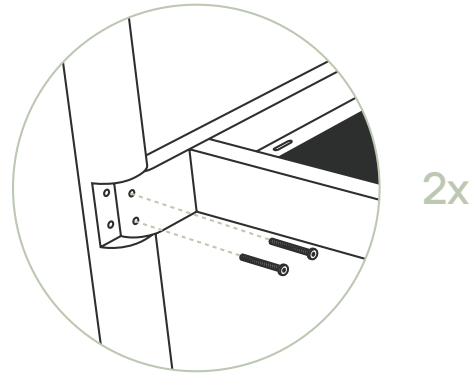
3 Fasten small legs to large bases

Using the Allen wrench, fasten the small legs to the two bases with two hex bolts each. Be sure to leave two threaded holes on the small legs exposed as demonstrated.



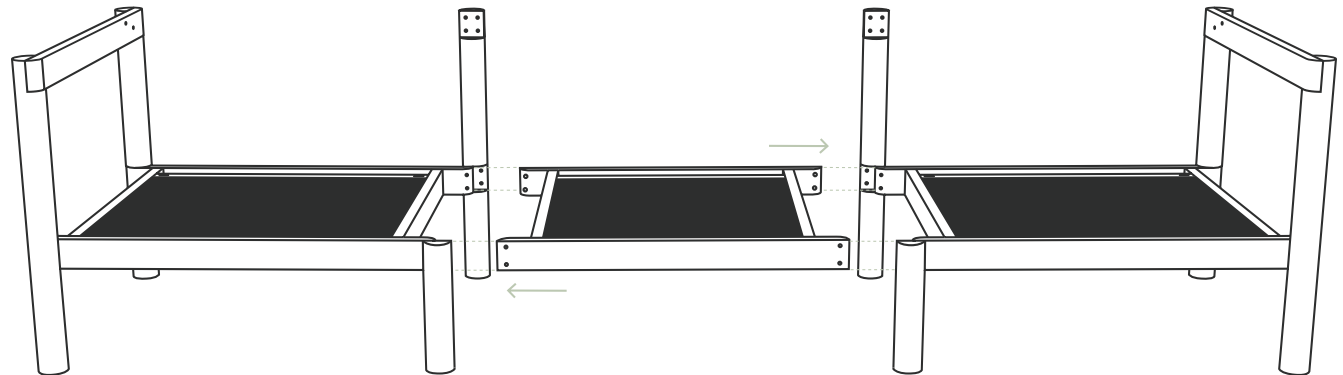
4 Fasten large legs to large bases

Stand the base upright on its legs. Then with the Allen wrench, fasten the large leg to the large base with two hex bolts. Be sure to leave two threaded holes on the large leg exposed as demonstrated. Repeat this for the other base



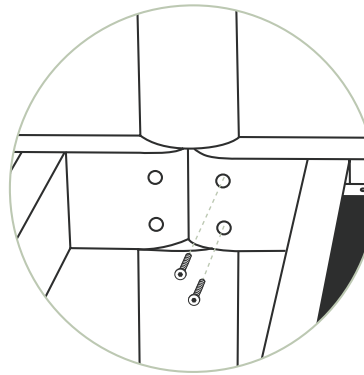
5 Connect large and small bases

Gently slide small base into the slotted sections on the Left Arm Module's large and small legs. Slide base until its pre-drilled holes align with the threaded holes on the legs. Then repeat that process with the Right Arm Module.

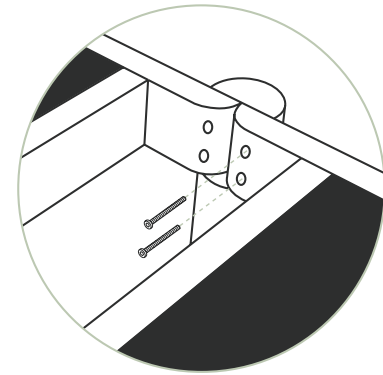


6 Fasten large and small bases

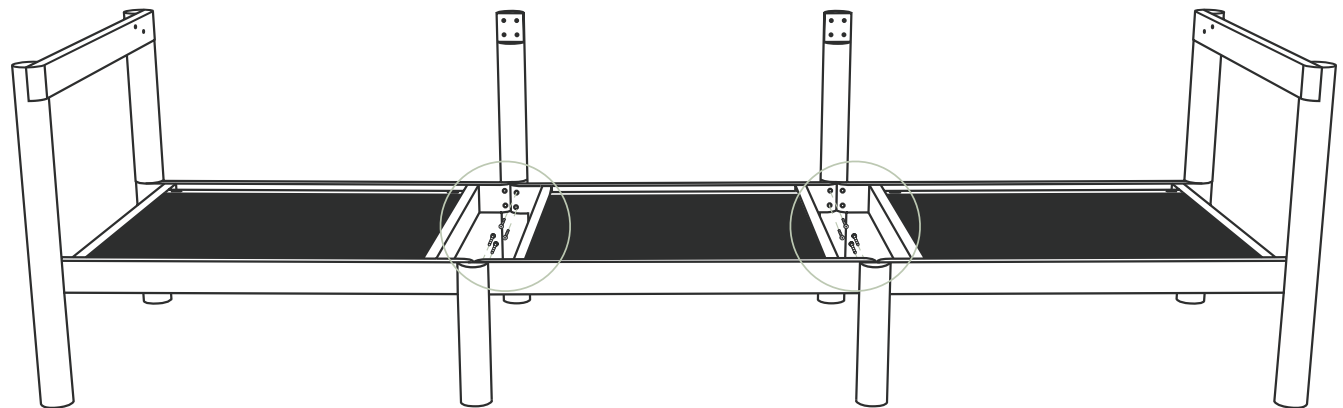
After holes on the bases are aligned with the corresponding threaded holes on each leg, use the Allen wrench to fasten them together with two hex bolts per side.



2x

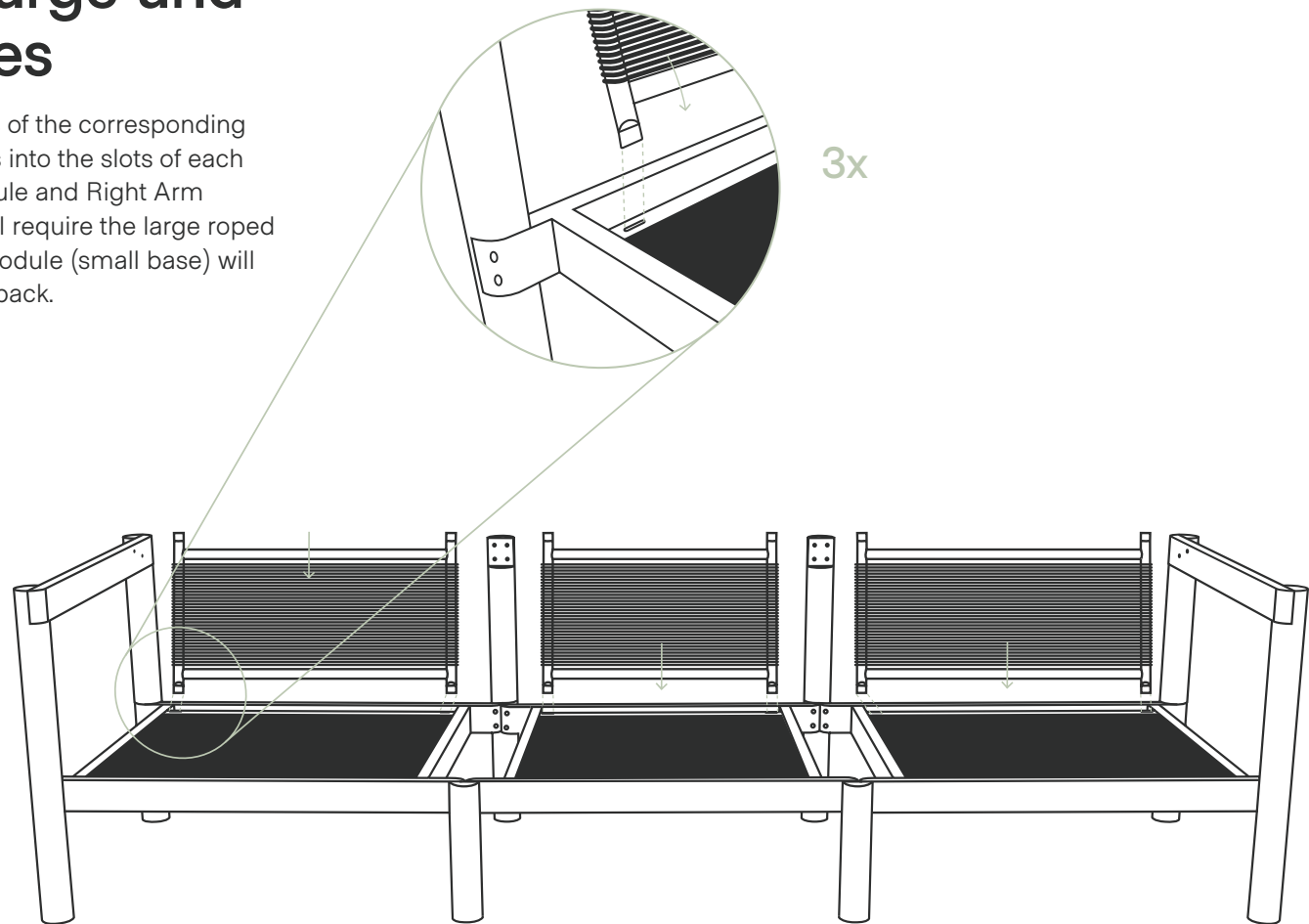


2x



7 Secure roped backs to large and small bases

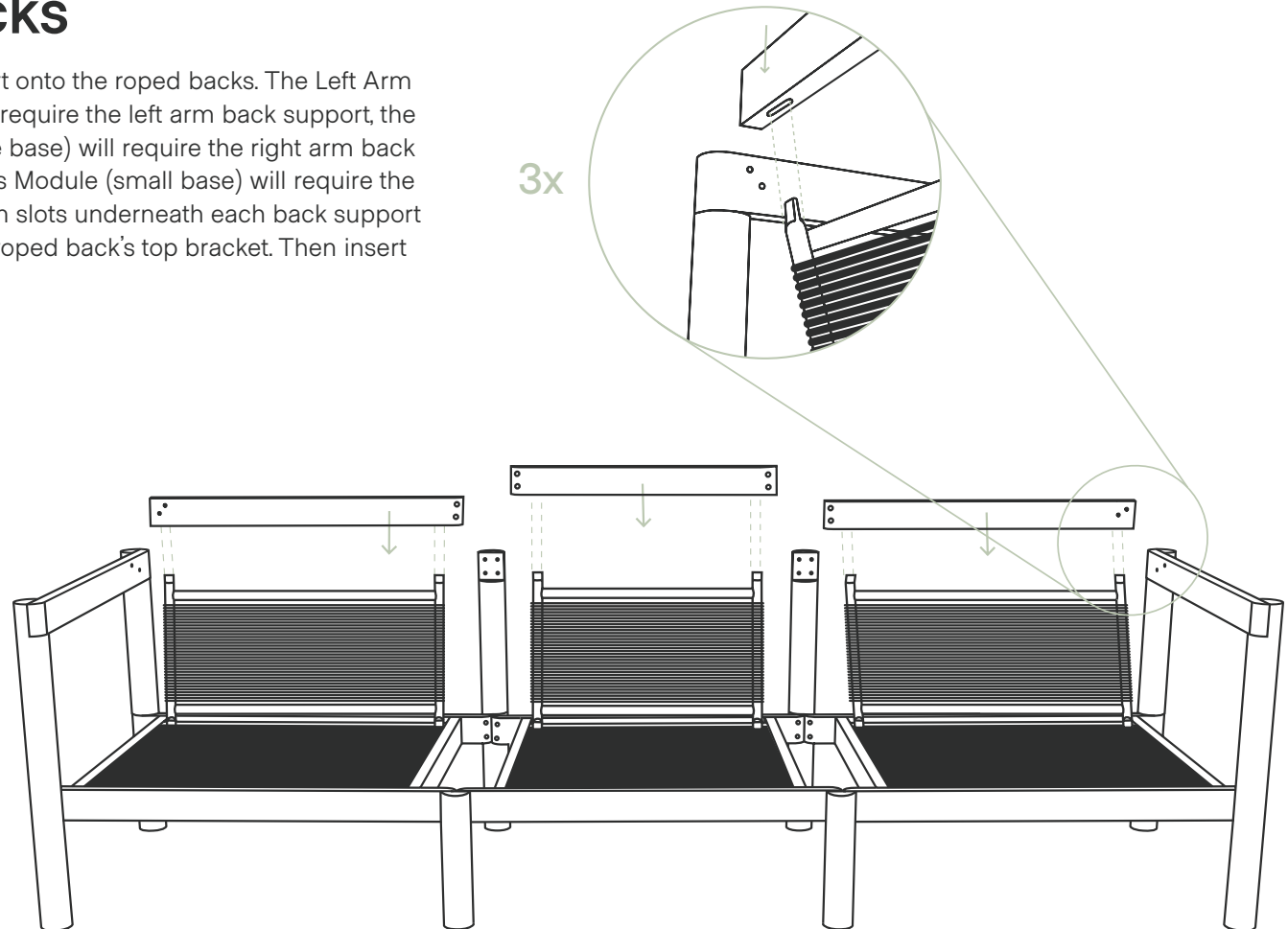
Insert the lower brackets of the corresponding roped back components into the slots of each base. The Left Arm Module and Right Arm Module (large bases) will require the large roped back and the Armless Module (small base) will require the small roped back.





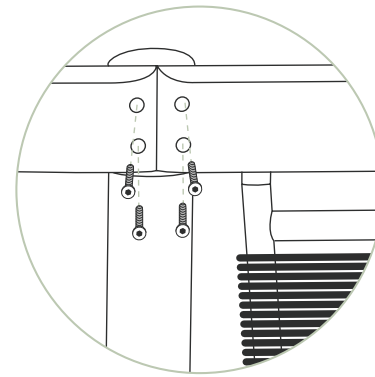
Attach back supports to roped backs

Lower each back support onto the roped backs. The Left Arm Module (large base) will require the left arm back support, the Right Arm Module (large base) will require the right arm back support, and the Armless Module (small base) will require the small back support. Align slots underneath each back support with the corresponding roped back's top bracket. Then insert bracket into the slot.

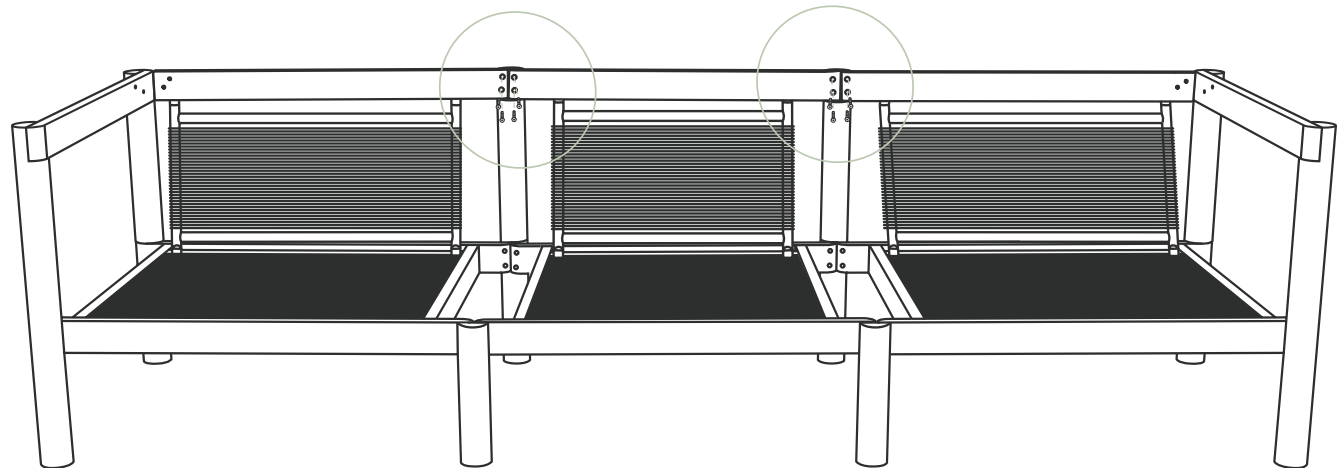


9 Fasten back supports to arm and large legs

With your Allen wrench, gently fasten back support components onto large legs with four hex bolts per intersection.



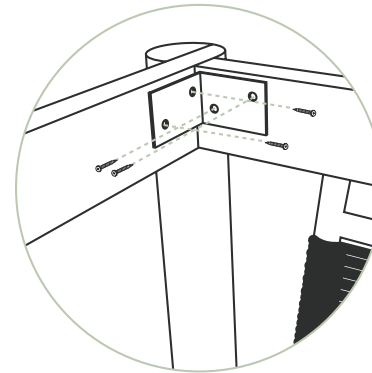
2x



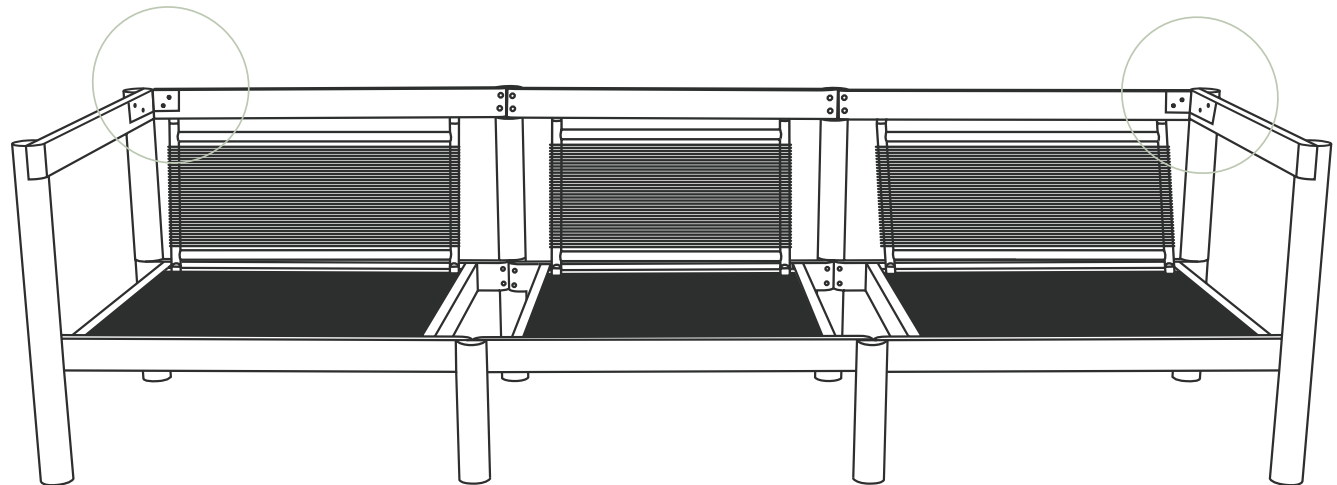
10

Fasten back support to arms

Aligning the pre-drilled holes on the arm components with the holes on the L-bracket. Then, with a Phillips Head screwdriver, gently secure with four screws. Repeat for opposite side.



2x



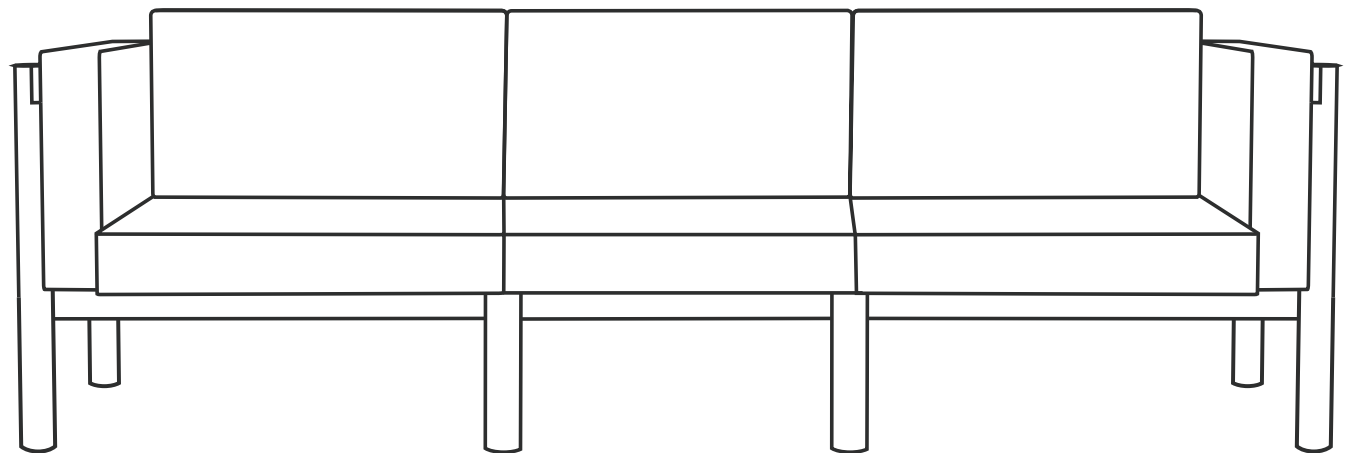
11

Add cushions

First with zipper seams facing backward, add arm cushions to each side. Thread the cushion laces around the roped back posts and tie them down. Then add both base cushions. Finally, add the back cushions. Relax! You're ready to enjoy your sofa.



2x



Contact

Have a question, comment, feedback?
We love hearing from customers.

support@hineighbor.com
hineighbor.com

neighbor