

The Ottoman

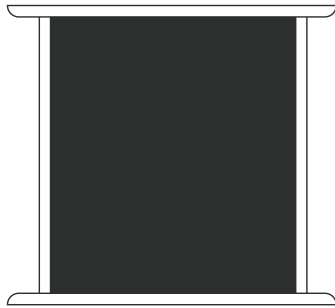
Assembly Guide

BOXES NEEDED:

- (1) The Ottoman Frame
- (1) The Ottoman Cushion

neighbor

Parts

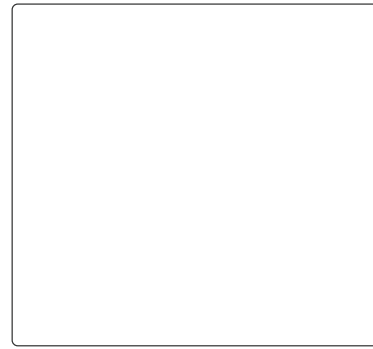


1X Ottoman Base
The Ottoman Frame Box



4X Ottoman Leg
The Ottoman Frame Box

Cushions



1X Ottoman Cushion
The Ottoman Cushion Box

Hardware & Tools



8X Hex Bolt
The Ottoman Frame Box



1X Allen Wrench
The Ottoman Frame Box

Assembly Tips

Exercise caution while lifting

Two-person lift is recommended. Both the boxes and the product itself are large and heavy and awkward to lift alone.

Lay everything out before you begin

Spreading out all of the components prior to assembling them will help you find the parts you are looking for and will make for a faster and easier assembly process!

Assemble on a soft surface

We recommend assembling your furniture on a soft surface such as a rug(s) or a towel(s). The wood frame can scratch easily if accidentally rubbed against harsh textures like brick or concrete.

Loose first, then tight

Do not fully tighten hex bolts when assembling. Insert them loosely first. After the modules are fully assembled, then tighten the bolts firmly. Differing humidity levels can slightly affect how the pieces fit together and this strategy should alleviate that.

Product Care

Caring for teak

Unfinished teak will gradually change color from a honey gold to a silver-grey patina. We encourage allowing the teak to turn color naturally and cleaning it annually or bi-annually. As for cleaning, we recommend Golden Teak Cleaner, which is specifically designed to kill mould and mildew spores inside teak.

Avoid prolonging mildew growth. If left in the shade for extended periods of time, this can be common.

Covering your furniture for extended periods of time, especially if enduring consistent inclement weather will greatly prolong the lifespan of the wood.

Caring for cushion cover fabric

One of the best ways to keep your Sunbrella fabric looking good is to brush off dirt before it becomes embedded in the fabrics and wipe up spills or clean soon after a stain occurs. The quicker you clean spills and stains, the easier they can be to remove.

When removing stains, typically these are the steps you should try:

- Blot (don't rub) liquid spills with a clean, dry cloth. For oil-based spills, apply an absorbent such as corn starch, then remove with a straight edge.
- Spray on a mild cleaning solution of soap (such as Woolite® or Dawn®) and water.
- Rinse the fabric thoroughly to remove all soap residue.
- Air dry.

Avoid scrubbing, hard bristle brushes or any other abrasive cleaning method.

Sunbrella should only be allowed to air dry.

Protect the area around your Sunbrella fabric when using bleach or other chemical solvents that may discolor non-Sunbrella fabrics. Always rinse Sunbrella thoroughly.

Bleach can have harmful effects on the natural environment around you. Please follow all safety and environmental precautions according to the bleach label.

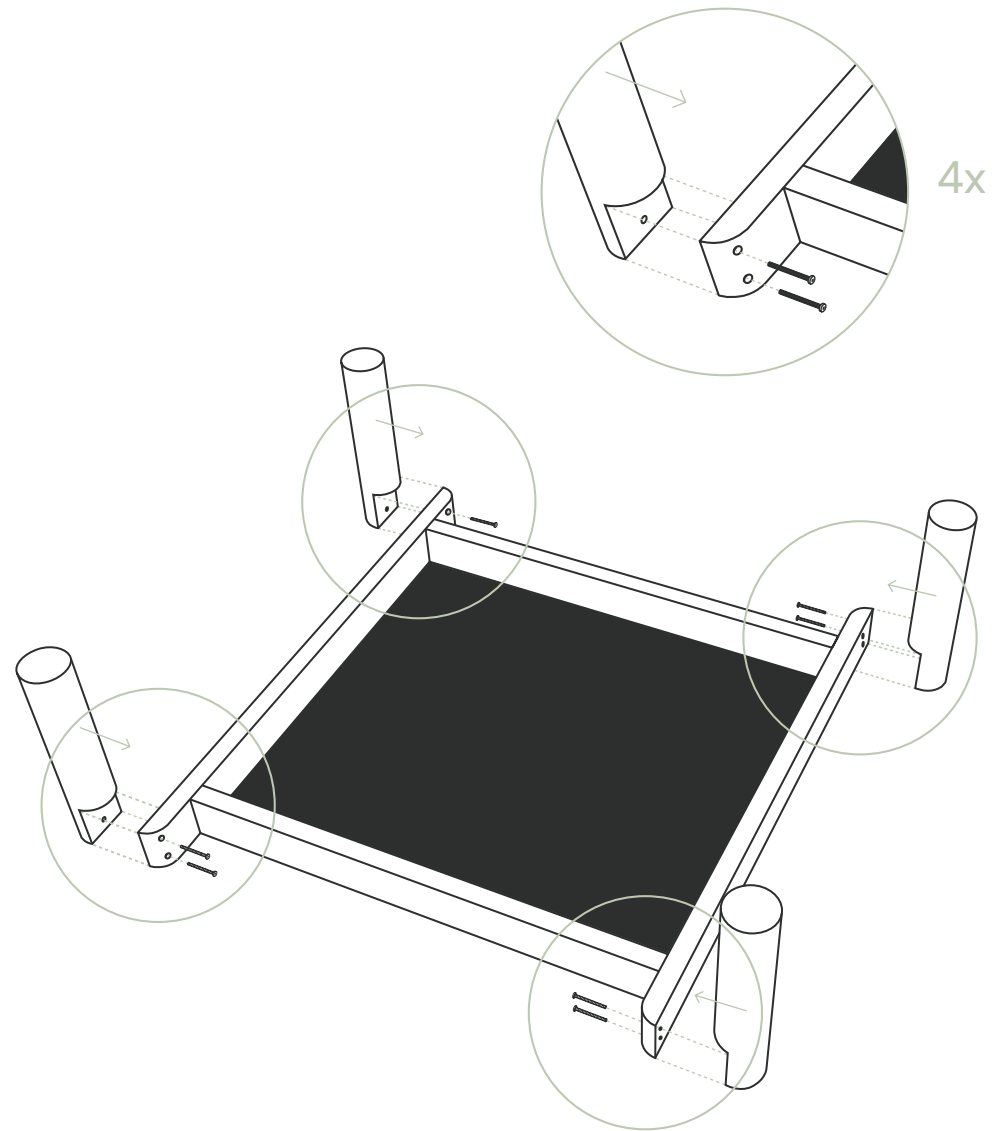
If fabric has some wrinkling, use an iron on the synthetic setting. As iron temperatures may vary, first test a small inconspicuous area before ironing the entire piece.

DO NOT use a steamer or an iron set to the steam setting.

1

Connect and fasten legs to base

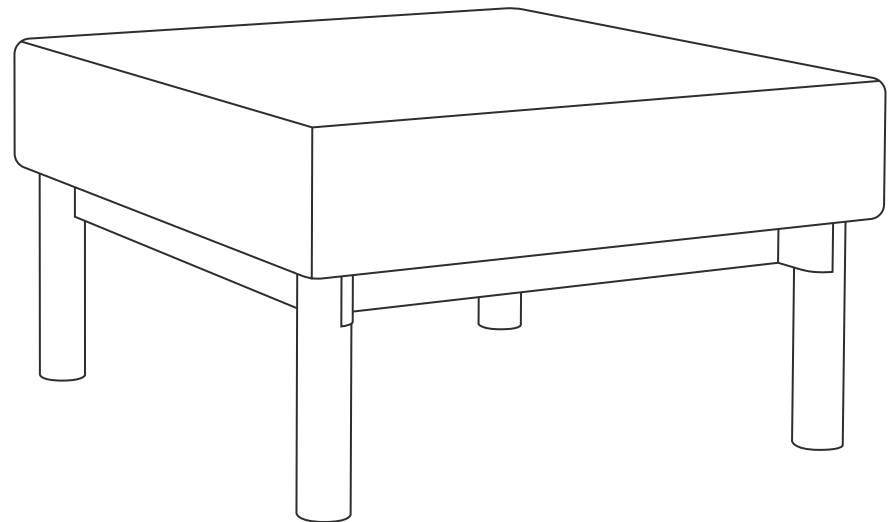
Lay the ottoman base frame-side-up. Then, with the Allen wrench provided, fasten the ottoman leg to a corner of the base with two hex bolts. Repeat for remaining three legs.



2

Add cushion

Flip the frame over after all four legs are securely fastened. Finally, add the cushion. Time to put your feet up! You're ready to enjoy your ottoman.



Contact

Have a question, comment, feedback?
We love hearing from customers.

support@hineighbor.com
hineighbor.com

neighbor