

# The Loveseat

## Assembly Guide

**BOXES NEEDED:**

- (1) Left Arm Module Frame
- (1) Right Arm Module Frame
- (1) Left Arm Module Cushions
- (1) Right Arm Module Cushions

*neighbor*

# Parts



**2X Large Base**  
Left Arm Module Box, Right Arm Module Frame Box



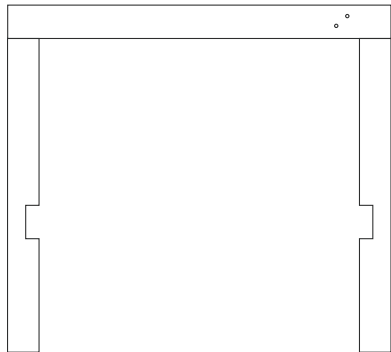
**2X Large Roped Back**  
Left Arm Module Frame Box, Right Arm Module Frame Box



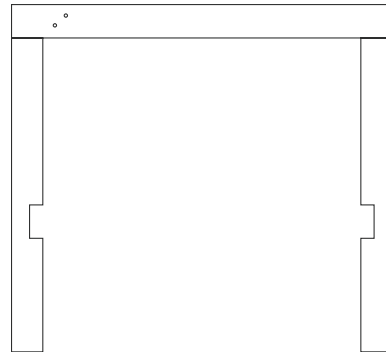
**1X Small Leg**  
Right Arm Module Frame Box



**1X Large Leg**  
Right Arm Module Box



**1X Left Arm**  
Left Arm Module Frame Box



**1X Right Arm**  
Right Arm Module Frame Box



**1X Left Arm Module Back Support**  
Left Arm Module Frame Box



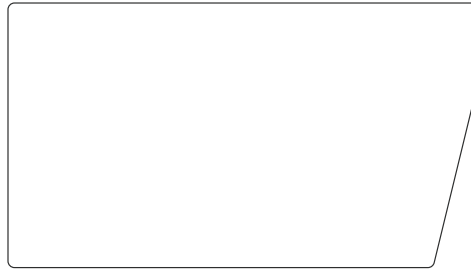
**1X Right Arm Module Back Support**  
Right Arm Module Frame Box

# Cushions



**2X Base Cushion**

Left Arm Module Cushion Box, Right Arm Module Cushion Box



**2X Arm Cushion**

Left Arm Module Cushion Box, Right Arm Module Cushion Box



**2X Back Cushion**

Left Arm Module Cushion Box, Right Arm Module Cushion Box

# Hardware

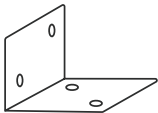
All Frame Boxes



**20X Hex bolt**



**8X Screw**



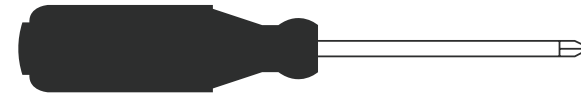
**2X L-Bracket**

# Tools



**1X Allen Wrench**

All Frame Boxes



**Phillips Head Screwdriver**

\*Not included

## Assembly Tips

### Exercise caution while lifting

Two-person lift is recommended. Both the boxes and the product itself are large and heavy and awkward to lift alone.

### Lay everything out before you begin

Spreading out all of the components prior to assembling them will help you find the parts you are looking for and will make for a faster and easier assembly process!

### Assemble on a soft surface

We recommend assembling your furniture on a soft surface such as a rug(s) or a towel(s). The wood frame can scratch easily if accidentally rubbed against harsh textures like brick or concrete.

### Loose first, then tight

Do not fully tighten hex bolts when assembling. Insert them loosely first. After the modules are fully assembled, then tighten the bolts firmly. Differing humidity levels can slightly affect how the pieces fit together and this strategy should alleviate that.

## Product Care

### Caring for teak

Unfinished teak will gradually change color from a honey gold to a silver-grey patina. We encourage allowing the teak to turn color naturally and cleaning it annually or bi-annually. As for cleaning, we recommend Golden Teak Cleaner, which is specifically designed to kill mould and mildew spores inside teak.

Avoid prolonging mildew growth. If left in the shade for extended periods of time, this can be common.

Covering your furniture for extended periods of time, especially if enduring consistent inclement weather will greatly prolong the lifespan of the wood.

### Caring for cushion cover fabric

One of the best ways to keep your Sunbrella fabric looking good is to brush off dirt before it becomes embedded in the fabrics and wipe up spills or clean soon after a stain occurs. The quicker you clean spills and stains, the easier they can be to remove.

*When removing stains, typically these are the steps you should try:*

- Blot (don't rub) liquid spills with a clean, dry cloth. For oil-based spills, apply an absorbent such as corn starch, then remove with a straight edge.

- Spray on a mild cleaning solution of soap (such as Woolite® or Dawn®) and water.
- Rinse the fabric thoroughly to remove all soap residue.
- Air dry.

Avoid scrubbing, hard bristle brushes or any other abrasive cleaning method.

Sunbrella should only be allowed to air dry.

Protect the area around your Sunbrella fabric when using bleach or other chemical solvents that may discolor non-Sunbrella fabrics. Always rinse Sunbrella thoroughly.

Bleach can have harmful effects on the natural environment around you. Please follow all safety and environmental precautions according to the bleach label.

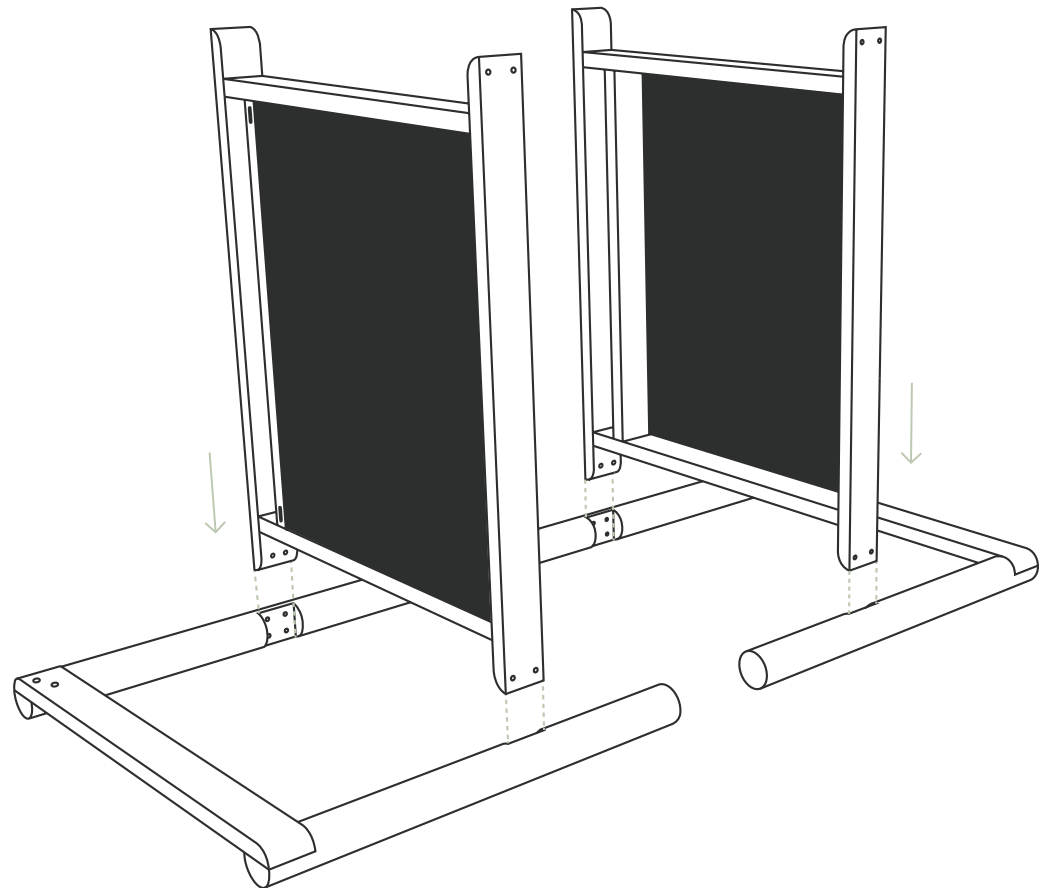
If fabric has some wrinkling, use an iron on the synthetic setting. As iron temperatures may vary, first test a small inconspicuous area before ironing the entire piece.

DO NOT use a steamer or an iron set to the steam setting.

## 1

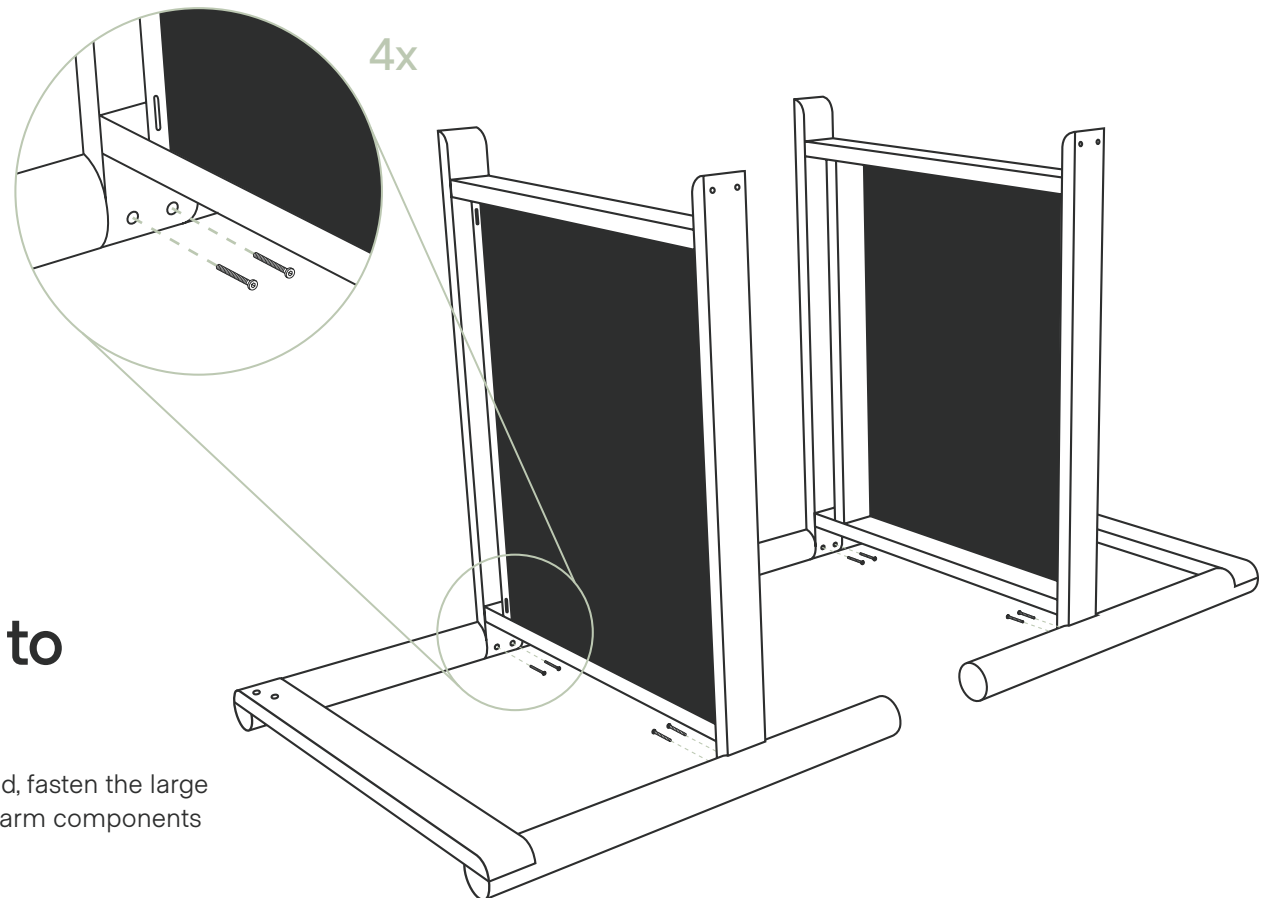
## Connect large bases to arms

Place both the left and right arm components on a soft surface, verifying that the two screw holes are facing upward. Gently insert the long bases into each arm's inner slots.



## 2 Fasten arms to bases

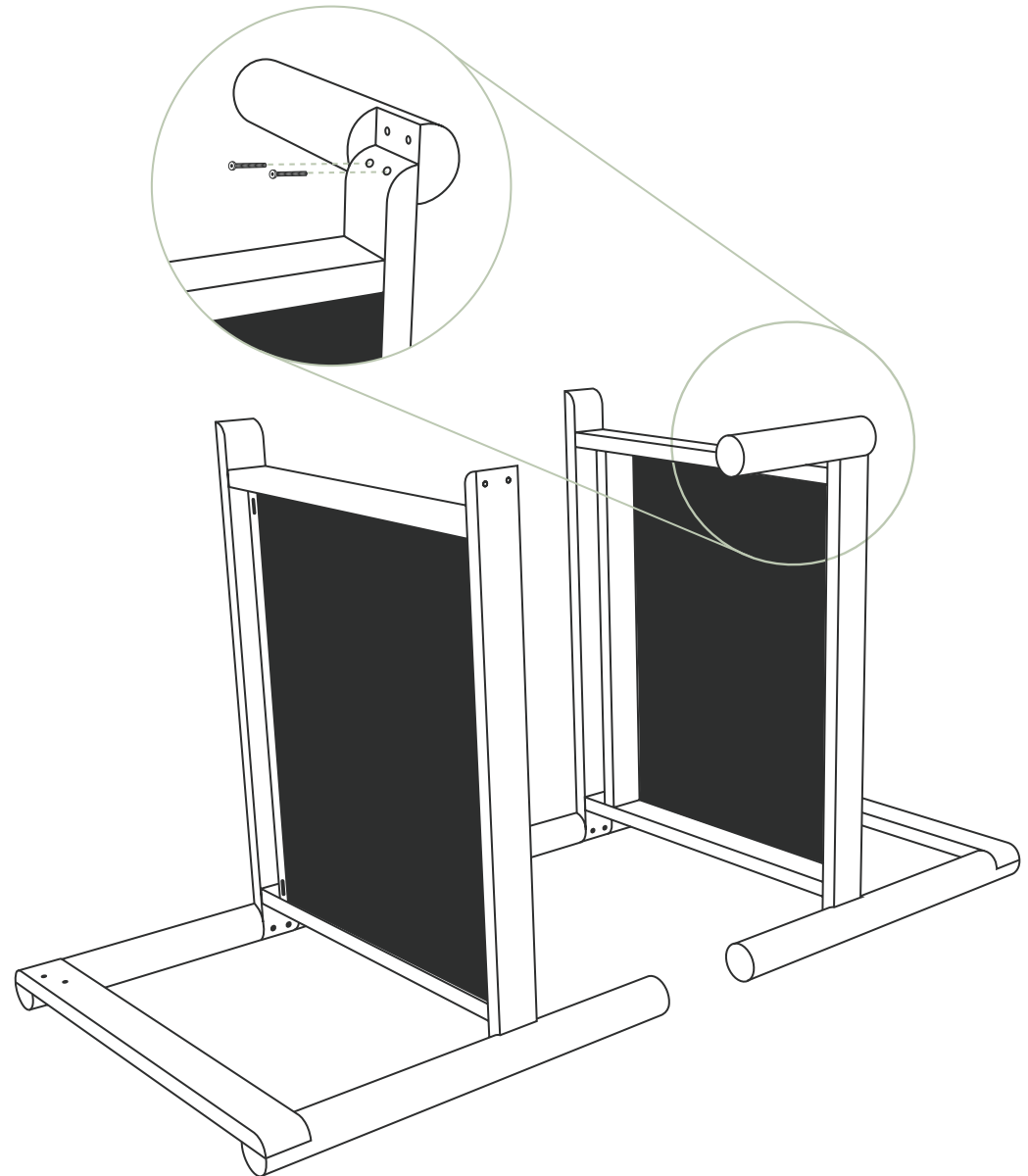
Using the Allen wrench provided, fasten the large bases to both the left and right arm components with two hex bolts.



## 3

## Fasten small leg to large bases

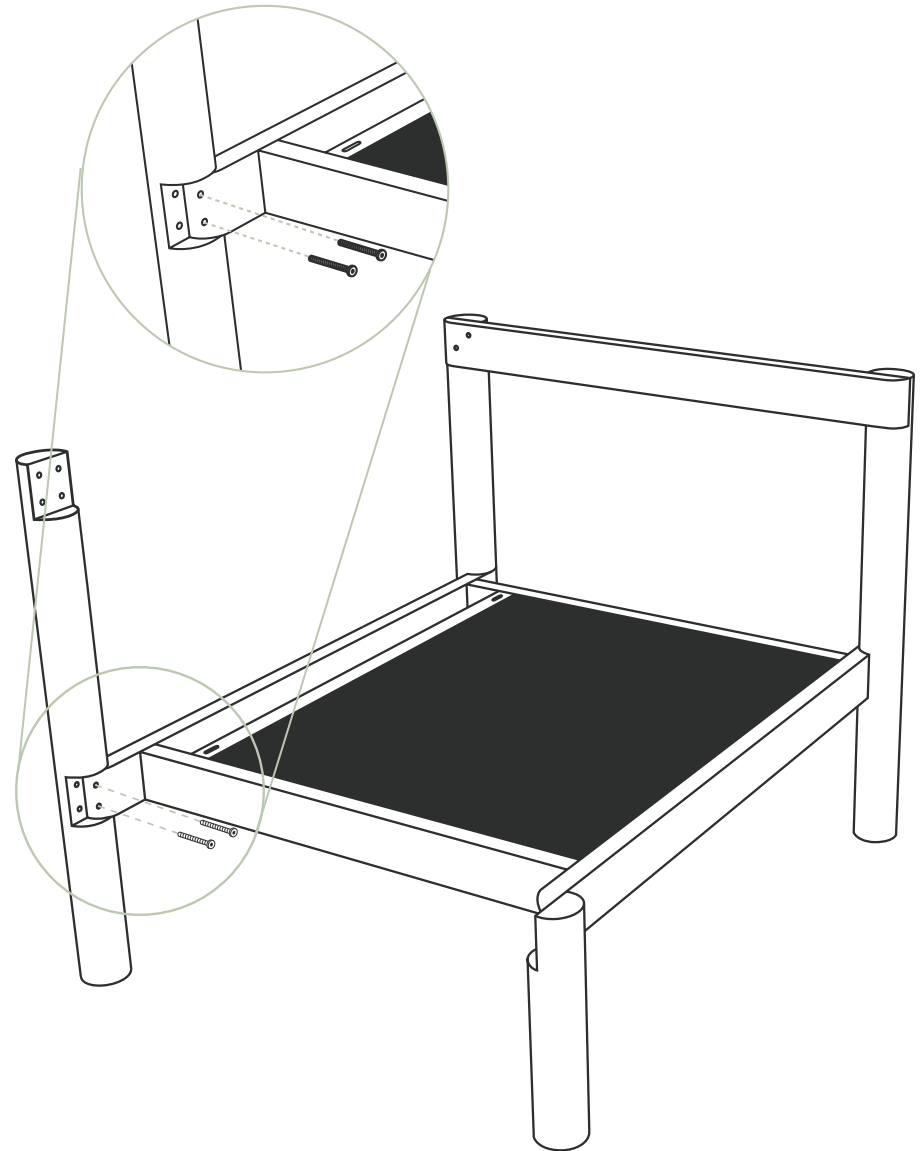
Using the Allen wrench, fasten the small leg to front of the Right Arm Module's base with two hex bolts. Be sure to leave two threaded holes on the small leg exposed as demonstrated.



## 4

## Fasten large leg to large bases

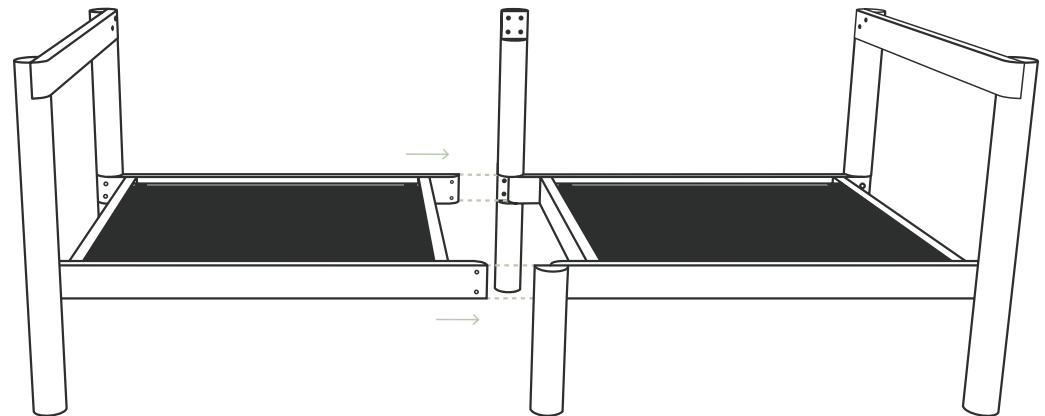
Stand the Right Arm Module base upright on its legs. Then with the Allen wrench, fasten the large leg to the large base with two hex bolts. Be sure to leave two threaded holes on the large leg exposed as demonstrated.





# 5 Connect large and small bases

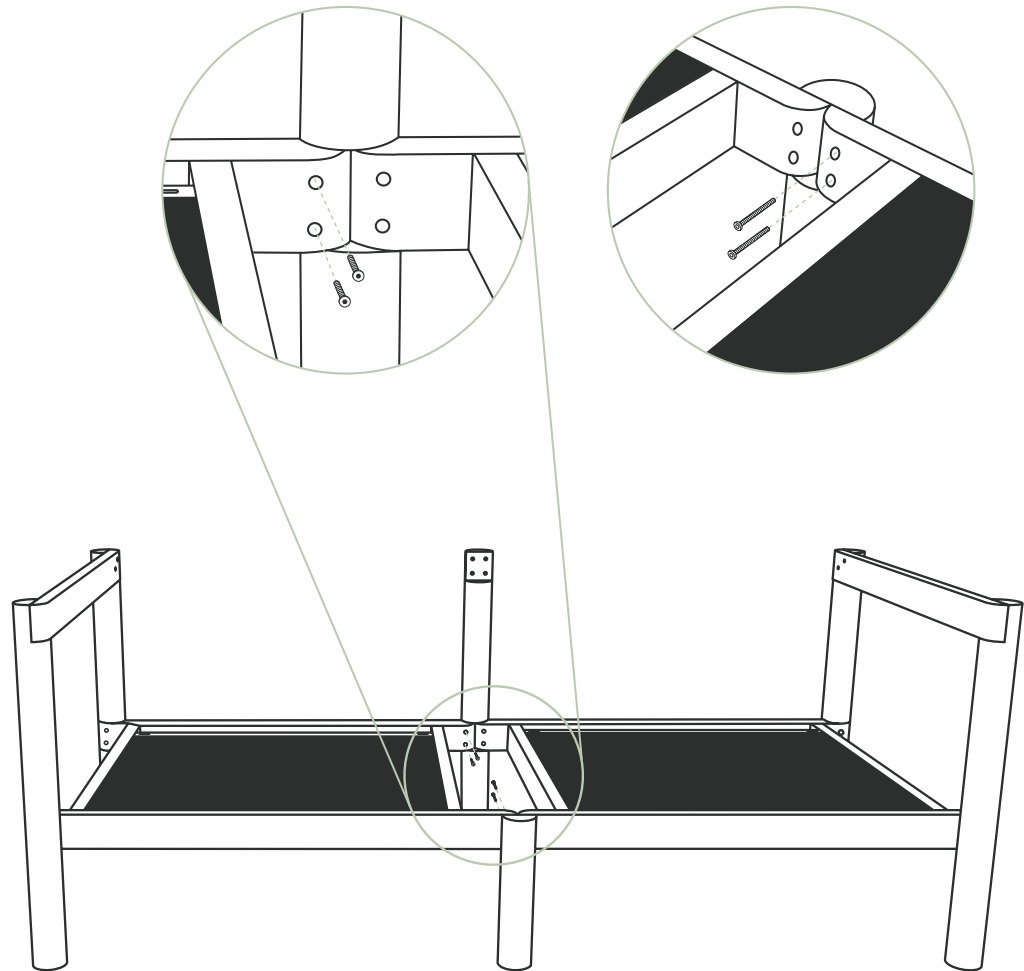
Gently slide Left Arm Module's base into the slotted sections on the Right Arm Module's large and small legs. Slide base until its pre-drilled holes align with the threaded holes on the legs.



## 6

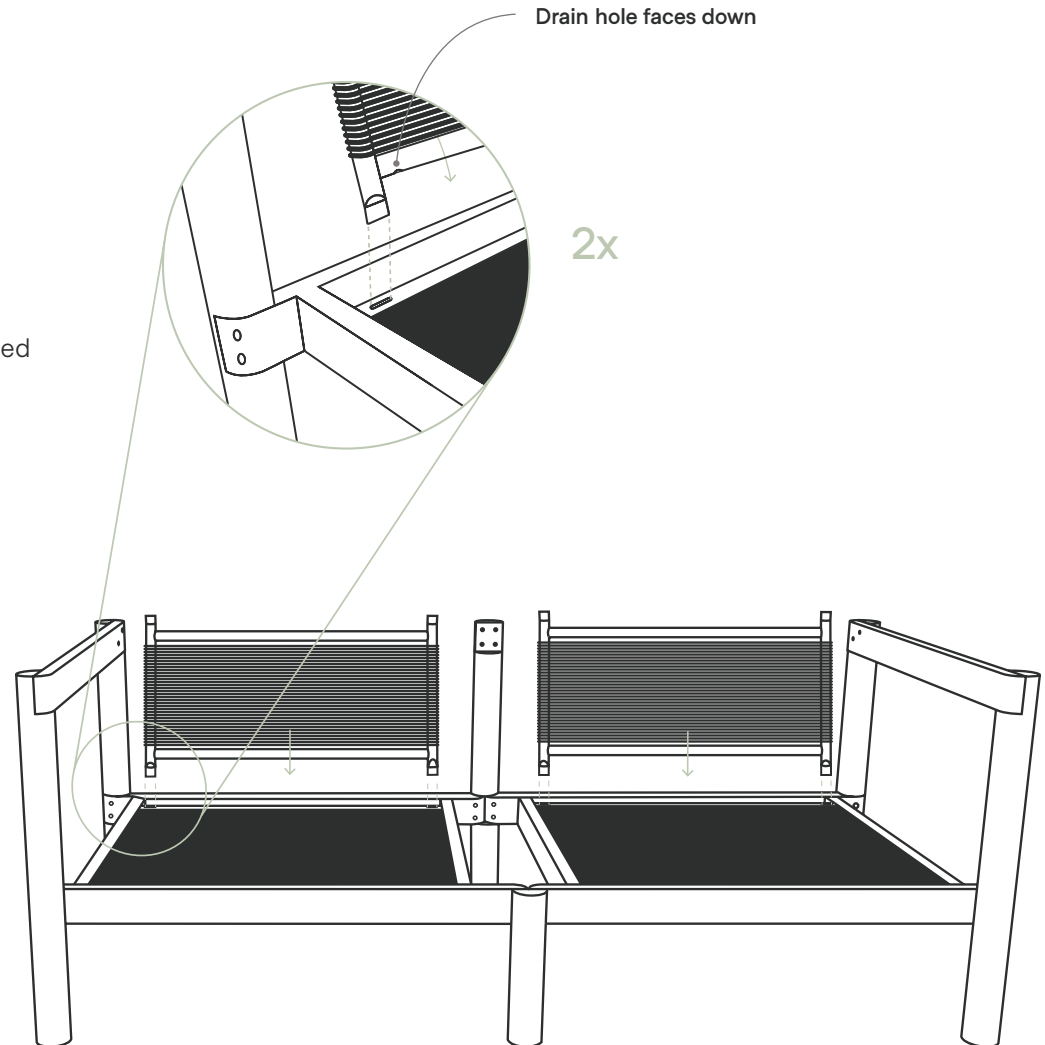
## Fasten large and small bases

After holes on the bases are aligned with the corresponding threaded holes on each leg, use the Allen wrench to fasten them together with two hex bolts per side.



# 7 Secure roped backs to large bases

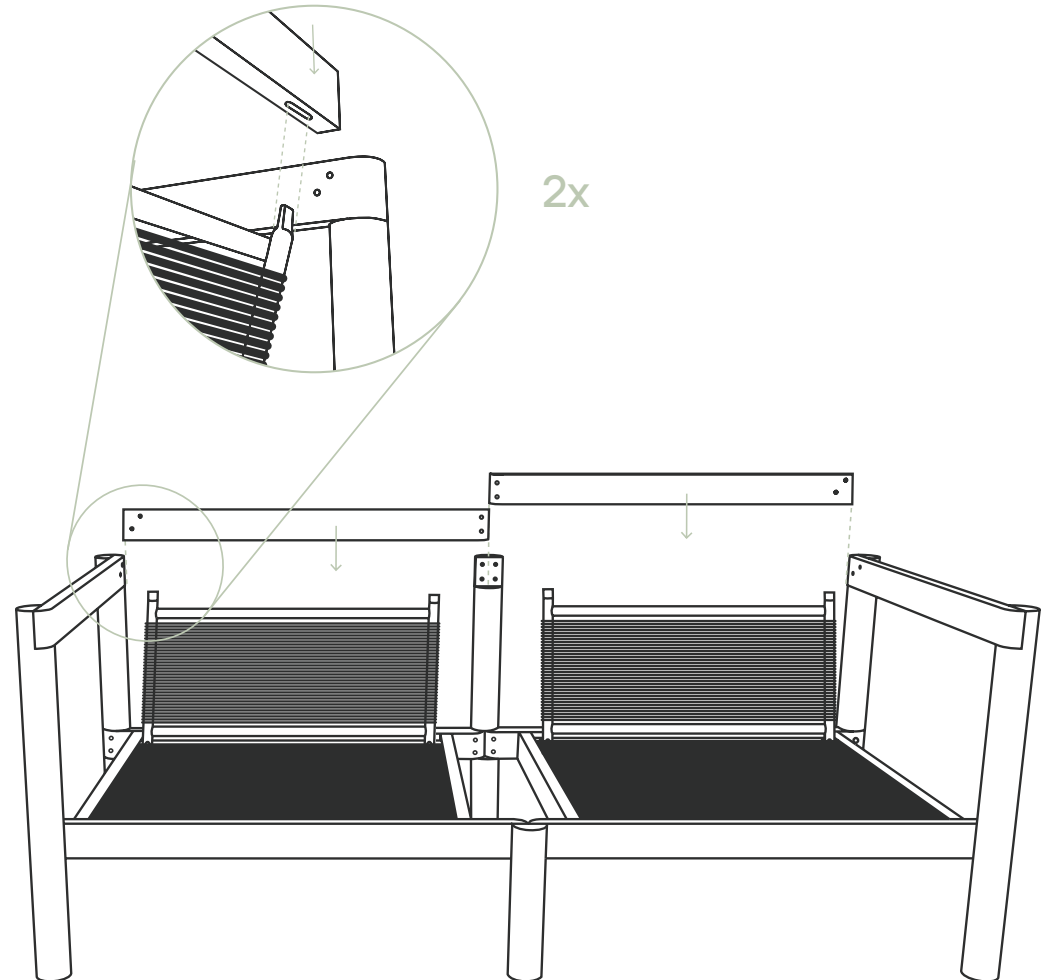
Insert the lower brackets of the corresponding roped back components into the slots of each base.



8

## Attach back supports to roped backs

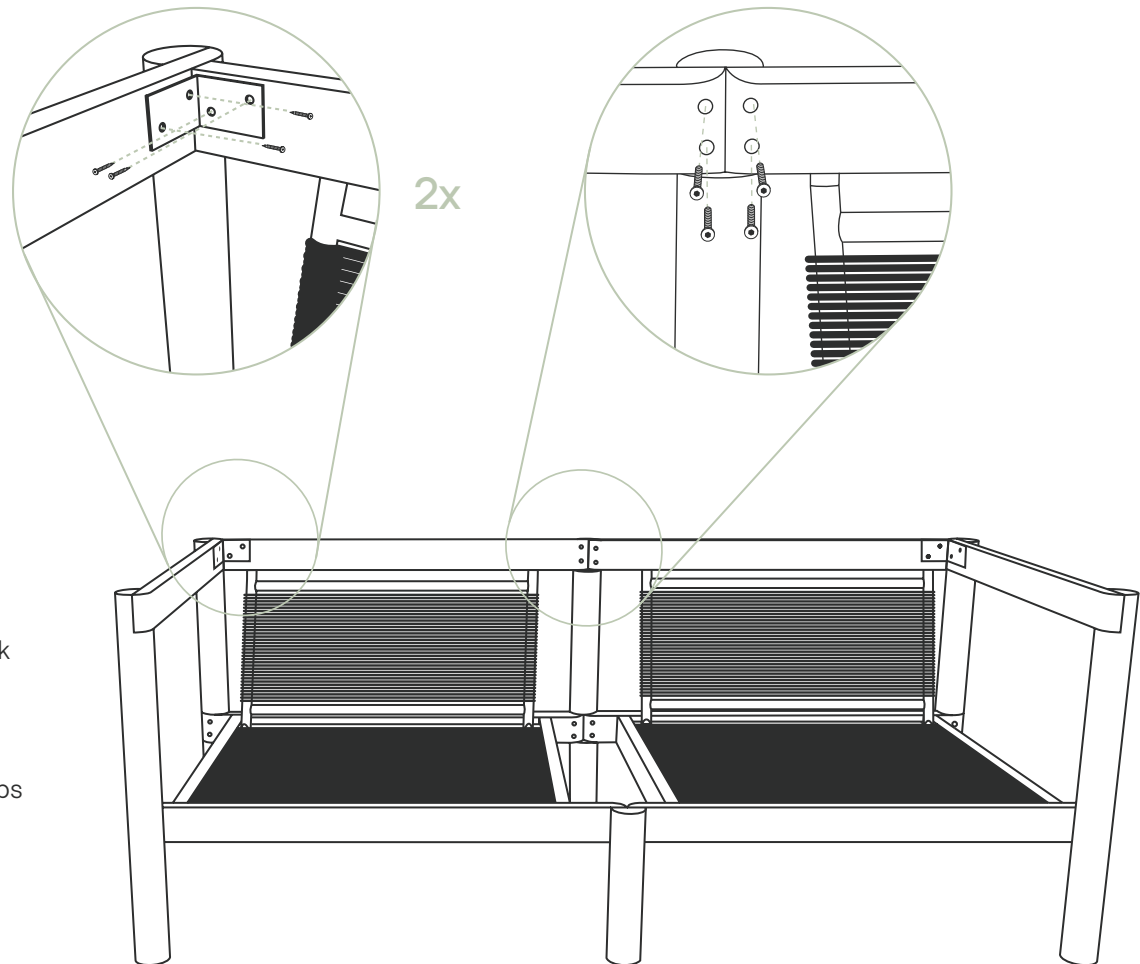
Lower each back support onto the roped backs. Align slots underneath each back support with the corresponding roped back's top bracket. Then insert bracket into the slot.



## 9

## Fasten back support to arms and large legs

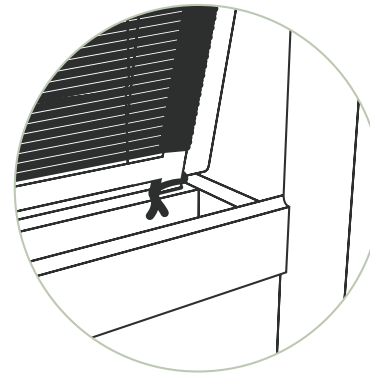
With your Allen wrench, gently fasten back support components onto large leg with four hex bolts. Aligning the pre-drilled holes on the arm components with the holes on the L-bracket. Then, with a Phillips Head screwdriver, gently secure with four screws. Repeat this for opposite arm.



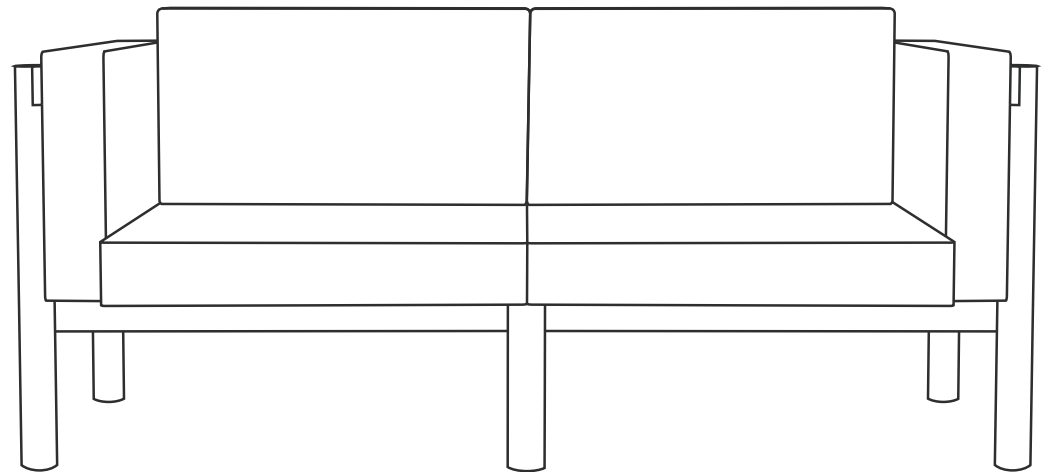
## 10

## Add cushions

First with zipper seams facing backward, add arm cushions to each side. Thread the cushion laces around the roped back posts and tie them down. Then add both base cushions. Finally, add the back cushions. Relax! You're ready to enjoy your loveseat.



2x



## Contact

Have a question, comment, feedback?  
We love hearing from customers.

[support@hineighbor.com](mailto:support@hineighbor.com)  
[hineighbor.com](http://hineighbor.com)

*neighbor*