

Haven Loveseat Teak Arm

Assembly Guide

neighbor

Frame Boxes

- ✓ Left Module - Teak Arm Frame (1)
- ✓ Right Module - Teak Arm Frame (1)

Cushion Boxes

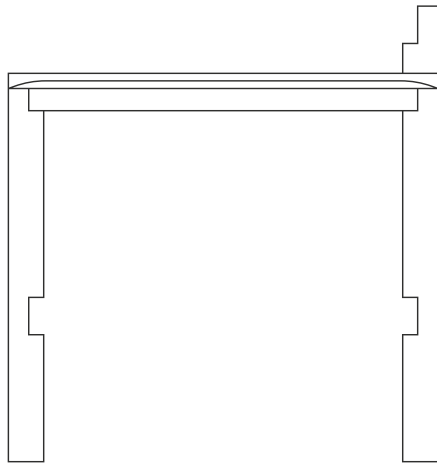
- ✓ Cushions - Armless/Teak Arm (2)

Parts



2X Module Base

Left Module - Teak Arm Frame Box
Right Module - Teak Arm Frame Box



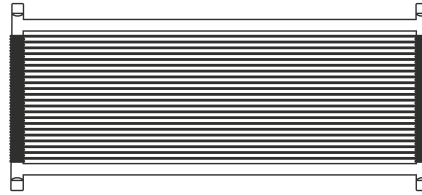
1X Right Teak Arm

Right Module - Teak Arm Frame Box



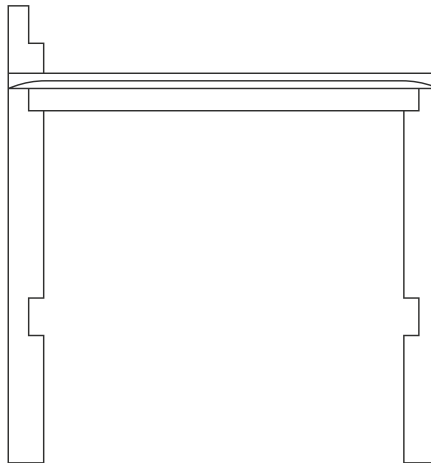
2X Module Back Support

Left Module - Teak Arm Frame Box
Right Module - Teak Arm Frame Box



2X Module Roped Back

Left Module - Teak Arm Frame Box
Right Module - Teak Arm Frame Box



1X Left Teak Arm

Left Module - Teak Arm Frame Box



1X Short leg

Right Module - Teak Arm Frame Box



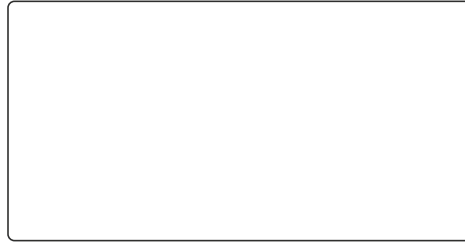
1X Long leg

Right Module - Teak Arm Frame Box

Cushions



2X Module Base Cushion
Armless/Teak Arm Cushions Box



2X Module Back Cushion
Armless/Teak Arm Cushions Box

Hardware



20X 30mm Hex Bolt
Left Module - Teak Arm Frame Box
Right Module - Teak Arm Frame Box



4X 40mm Hex Bolt
Left Module - Teak Arm Frame Box
Right Module - Teak Arm Frame Box

Tools



1X Allen Wrench
All Frame Boxes

Assembly Tips

Use caution when lifting

Two-person lift is recommended. The boxes and product are both large and heavy.

Lay everything out before you begin

Getting familiar with all the components before assembly will make for a faster and easier assembly process.

Assemble on a soft surface

We recommend assembling your furniture on a soft surface such as a rug or a towel. The wood frame can scratch against harsh textures like brick or concrete.

Loose first, then tight

Partly tighten the hex bolts while assembly. After the modules are fully assembled, tighten the bolts firmly. Keep in mind humidity levels can slightly affect how the pieces fit together.

Product Care

Caring for teak

Unfinished teak will gradually change color from honey gold to a silver-gray patina. We encourage allowing the teak to turn color naturally and cleaning it annually or bi-annually. As for cleaning, we recommend Golden Teak Cleaner, which is specifically designed to kill mold and mildew spores inside teak.

Avoid prolonging mildew growth. If left in the shade for extended periods, this can be common. If you live in a particularly humid or rainy climate, keep a closer eye on mildew growth and clean as needed.

Covering your furniture when not in use will greatly prolong the lifespan of the wood.

Caring for Sunbrella

Brush off dirt before it becomes embedded in the fabric and wipe up spills as soon as they happen. Rinse thoroughly and air dry. Avoid scrubbing, stiff bristle brushes, or any other abrasive cleaning method.

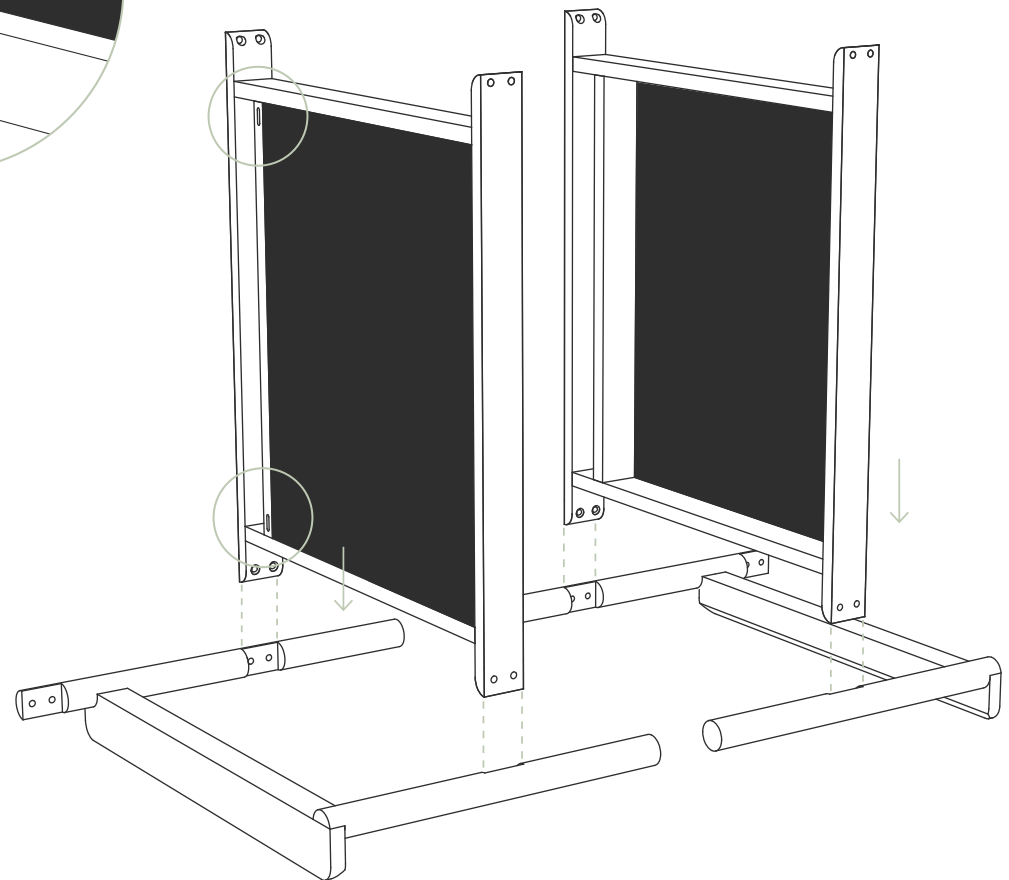
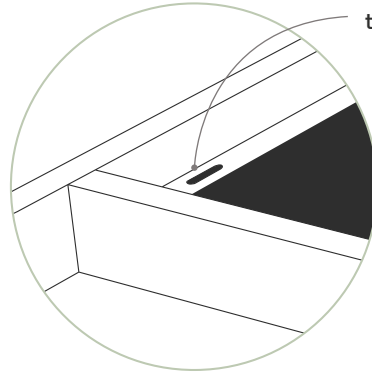
Protect the area around your furniture when using bleach or other chemical solvents that may discolor non-Sunbrella fabrics.

If fabric is wrinkled, use an iron on the synthetic setting. As iron temperatures may vary, test a small area first before ironing the entire piece. Do not use a steamer or an iron set to the steam setting.

Fabric stain removal

- Blot (don't rub) liquid spills with a clean, dry cloth. For oil-based spills, apply an absorbent such as corn starch then remove with a straight edge.
- Spray on a mild cleaning solution of soap (such as Woolite® or Dawn®) and water and lightly agitate with a sponge or gentle brush.
- Rinse the fabric thoroughly to remove all soap residue.
- Air dry.
- As needed, unzip and machine-wash covers.

Backrest slots should align with the back of the armrest, as shown

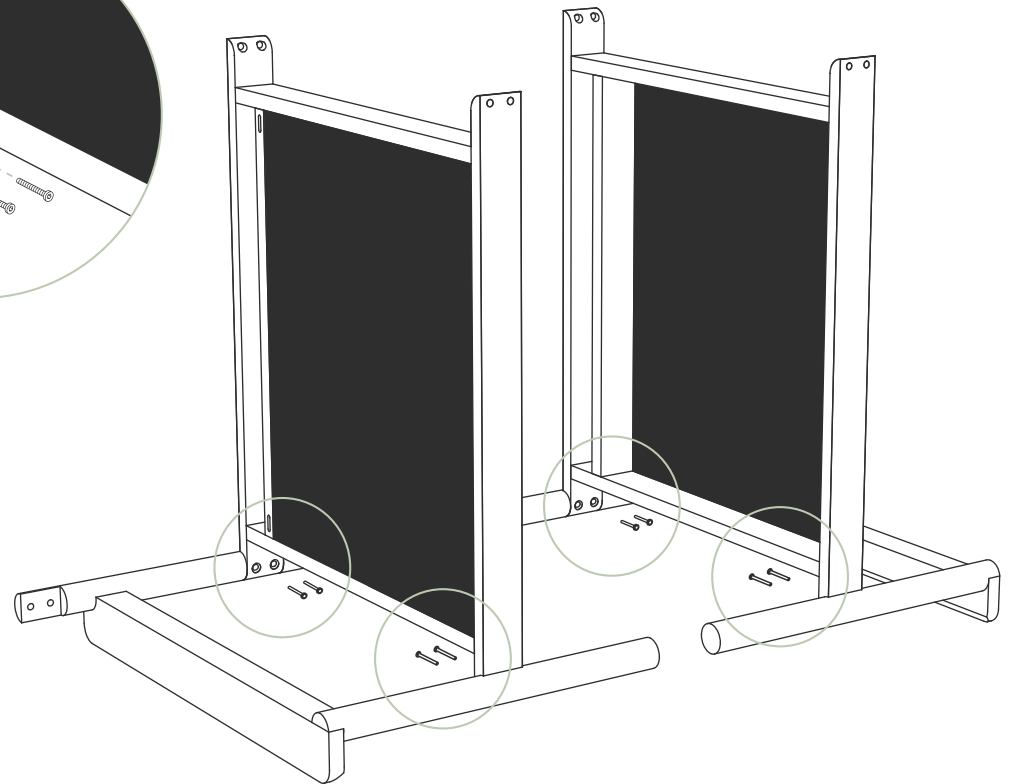
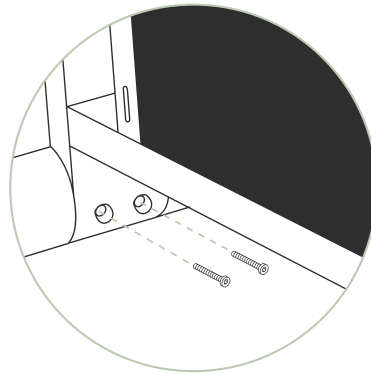


1

Connect bases to arms

Place both the Left and Right Teak Arms on a soft surface with the armrests facing down. Gently slide the Module Bases into each arm's inner slots.

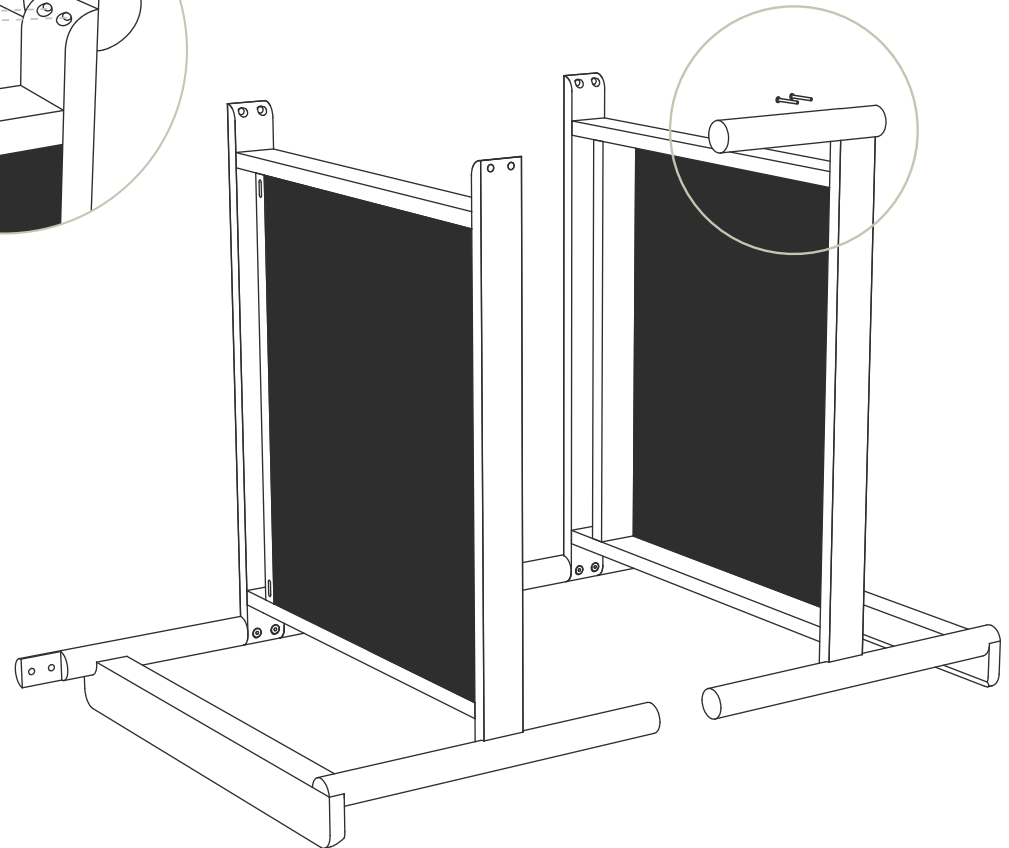
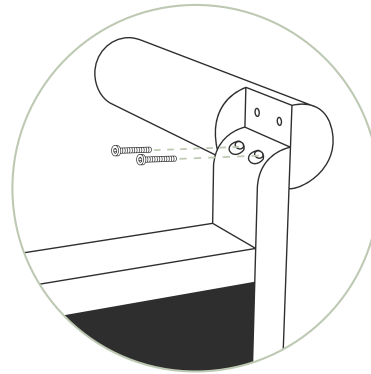
8X 30mm Hex Bolt



2 Fasten arms to bases

Using the Allen Wrench provided, fasten the Module Bases to the Left and Right Teak Arms with four 30mm Hex Bolts per side.

2X 30mm Hex Bolt

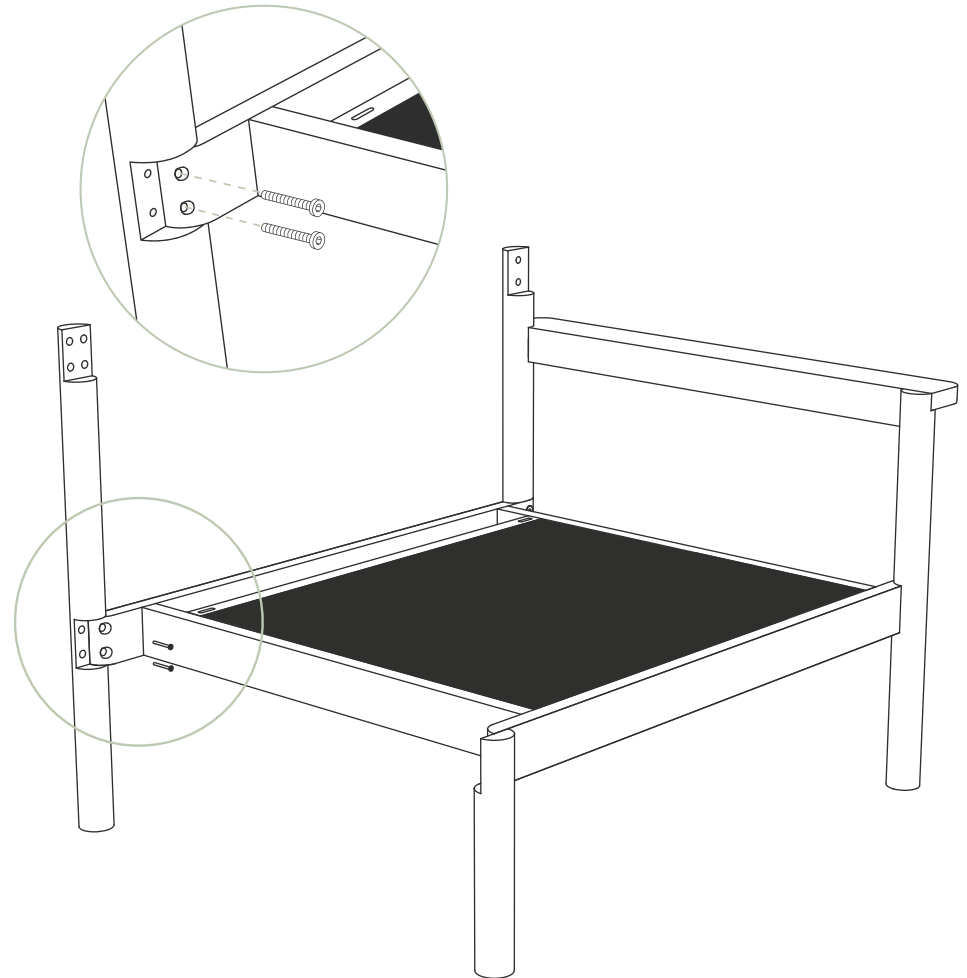


3

Fasten short leg to base

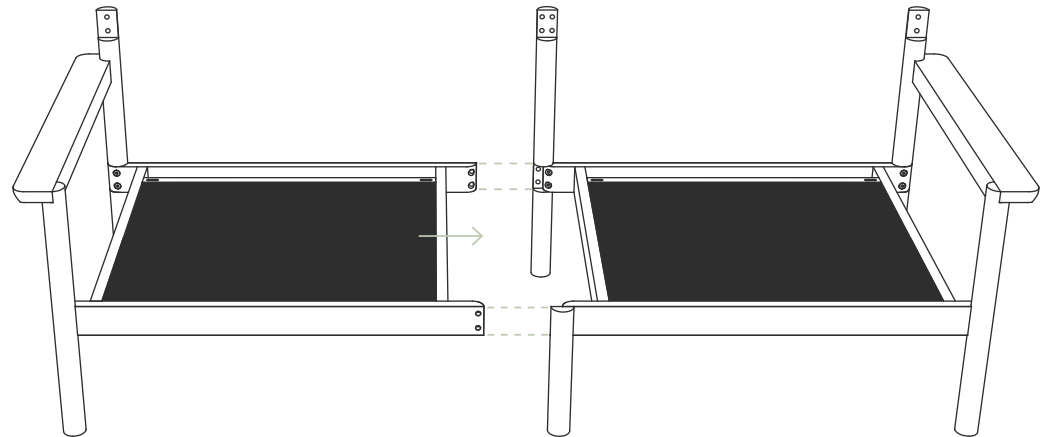
Using the Allen Wrench provided, fasten the Short Leg to the front of the Module Base with two 30mm Hex Bolts. Be sure to leave two threaded holes exposed as demonstrated.

2X 30mm Hex Bolt



4 Fasten long leg to base

Stand the assembled components upright. With the Allen Wrench provided, fasten the Long Leg to the Module Base with two 30mm Hex Bolts. Be sure to leave two threaded holes exposed as demonstrated.

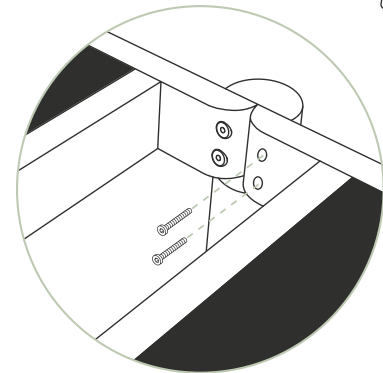
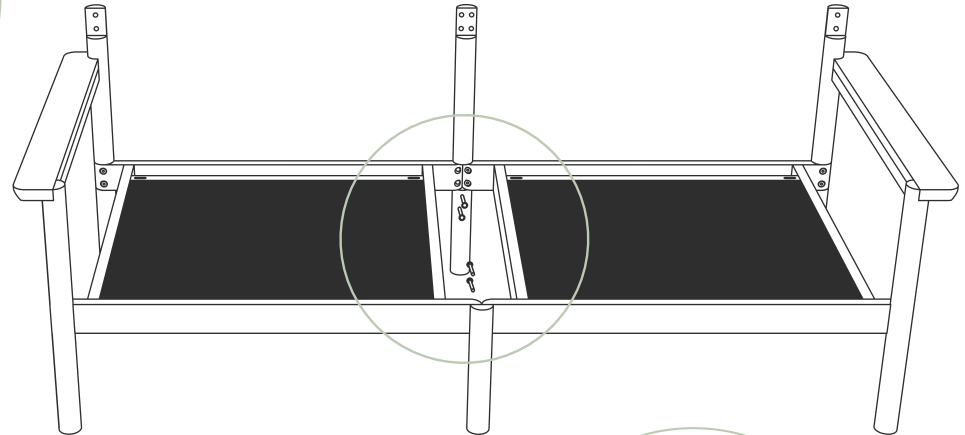
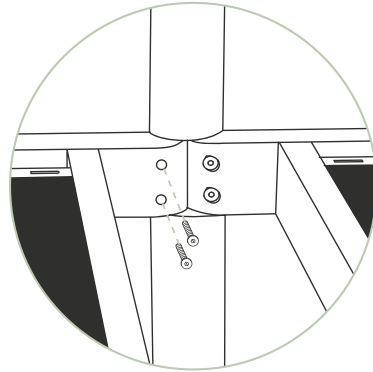


5

Connect bases

Gently slide the assembled arm components together. Slide base until its pre-drilled holes align with the threaded holes on the corresponding legs.

2X 30mm Hex Bolt

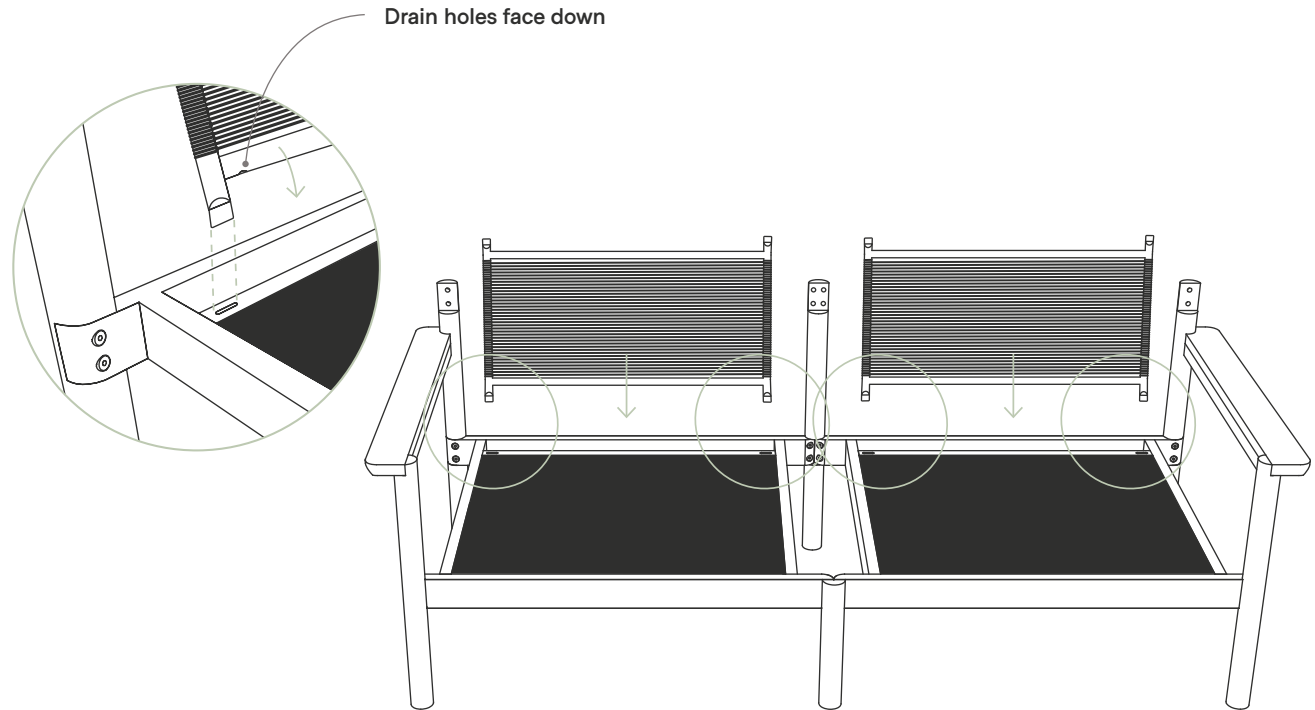


2X 30mm Hex Bolt

6

Fasten bases

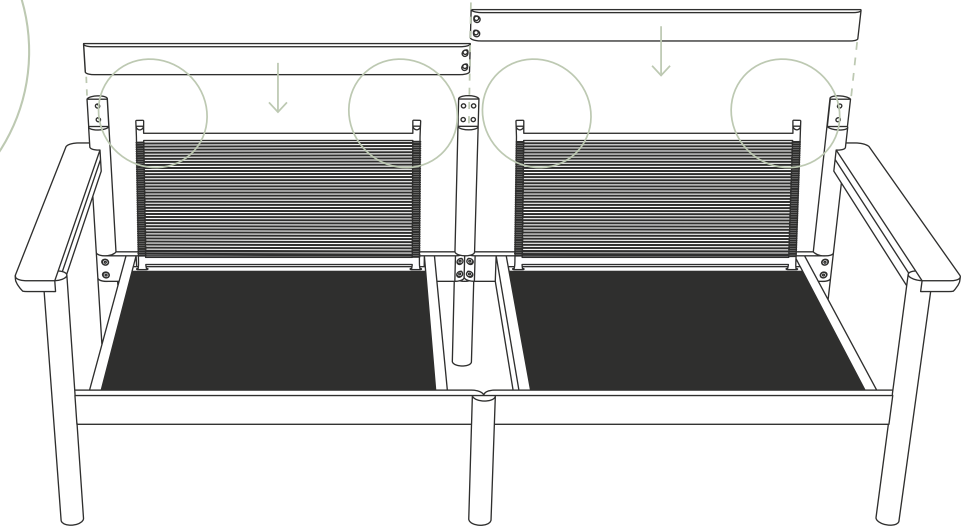
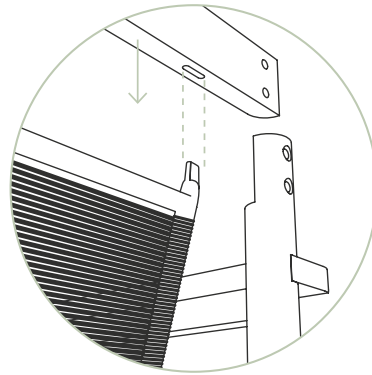
After holes on the bases are aligned with the corresponding threaded holes on each leg, use the Allen Wrench provided to fasten them together with two 30mm Hex Bolts per side.



7

Secure roped backs to bases

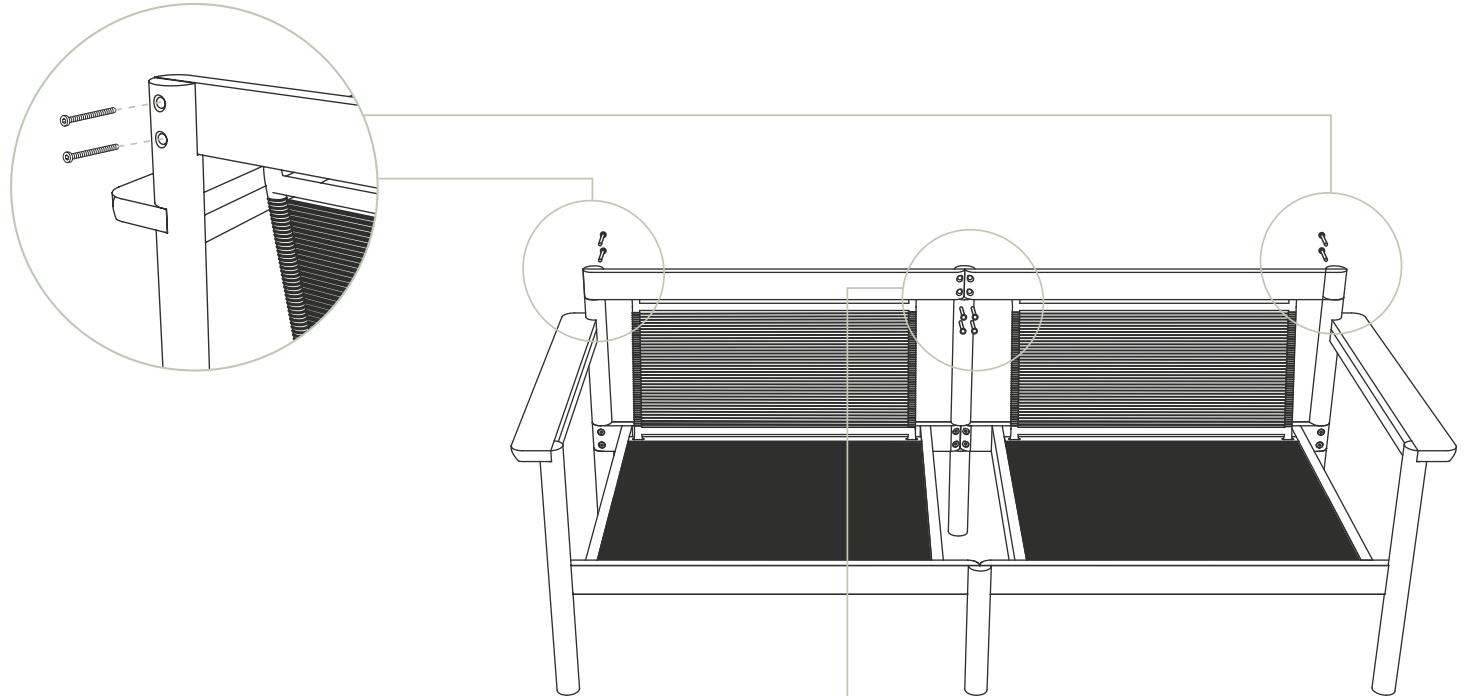
Insert the Module Roped Backs into the slots of the Module Bases.



Attach back supports to roped backs

Lower each Module Back Support onto the Module Roped Backs by fitting the tabs into their corresponding slots, then insert.

4X 40mm Hex Bolt

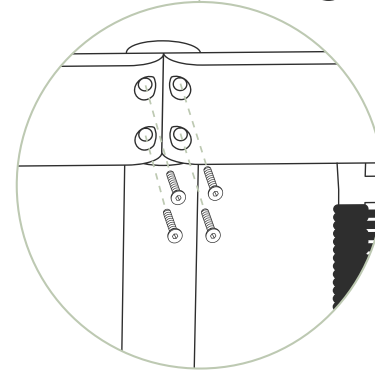


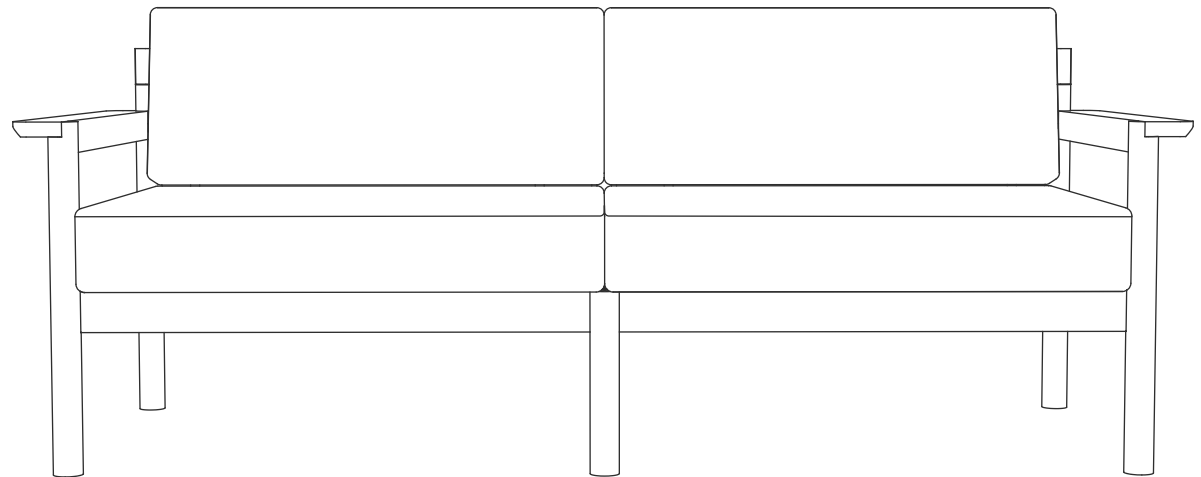
9

Fasten back supports

Fasten the Module Back Supports to the center Long Leg with four 30mm Hex Bolts. Then fasten Module Back Supports to Teak Arms with two 40mm Hex Bolts per side.

4X 30mm Hex Bolt





10

Add cushions

With the zipper seam facing backward, add both base cushions. Finally, add the back cushions. Relax! You're ready to enjoy your loveseat.

Contact

Have a question, comment, feedback?
We love hearing from customers.

support@hineighbor.com
hineighbor.com

neighbor