

The Chair

Assembly Guide

BOXES NEEDED:

- (1) The Chair
- (1) Chair Cushions

neighbor

Parts



1X Large Base

The Chair Box



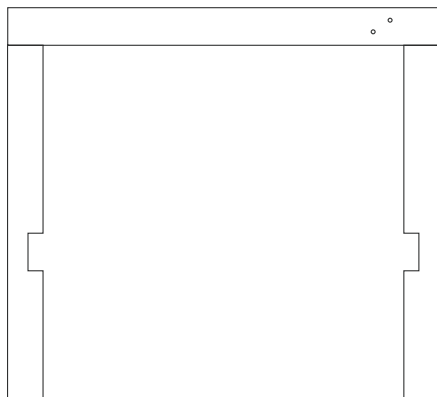
1X Chair Back Support

The Chair Box



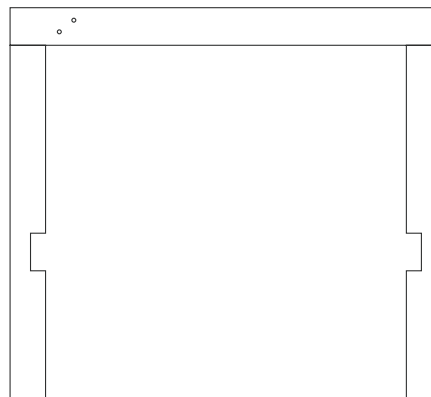
1X Large Roped Back

The Chair Box



1X Left Arm

The Chair Box



1X Right Arm

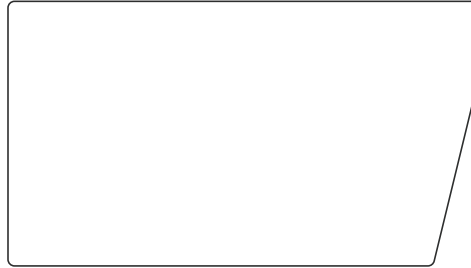
The Chair Box

Cushions

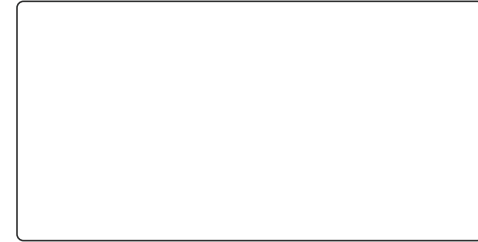
The Chair Cushions Box



1X Base Cushion



2X Arm Cushion



1X Back Cushion

Hardware

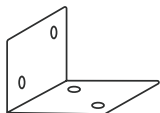
The Chair Frame Box



8X Hex Bolt



8X Screw



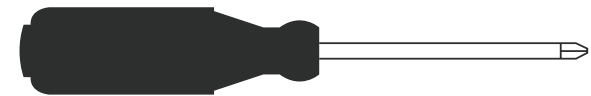
2X L-Bracket

Tools



1X Allen Wrench

The Chair Frame Box



Phillips Head Screwdriver

*Not included

Assembly Tips

Exercise caution while lifting

Two-person lift is recommended. Both the boxes and the product itself are large and heavy and awkward to lift alone.

Lay everything out before you begin

Spreading out all of the components prior to assembling them will help you find the parts you are looking for and will make for a faster and easier assembly process!

Assemble on a soft surface

We recommend assembling your furniture on a soft surface such as a rug(s) or a towel(s). The wood frame can scratch easily if accidentally rubbed against harsh textures like brick or concrete.

Loose first, then tight

Do not fully tighten hex bolts when assembling. Insert them loosely first. After the modules are fully assembled, then tighten the bolts firmly. Differing humidity levels can slightly affect how the pieces fit together and this strategy should alleviate that.

Product Care

Caring for teak

Unfinished teak will gradually change color from a honey gold to a silver-grey patina. We encourage allowing the teak to turn color naturally and cleaning it annually or bi-annually. As for cleaning, we recommend Golden Teak Cleaner, which is specifically designed to kill mould and mildew spores inside teak.

Avoid prolonging mildew growth. If left in the shade for extended periods of time, this can be common.

Covering your furniture for extended periods of time, especially if enduring consistent inclement weather will greatly prolong the lifespan of the wood.

Caring for cushion cover fabric

One of the best ways to keep your Sunbrella fabric looking good is to brush off dirt before it becomes embedded in the fabrics and wipe up spills or clean soon after a stain occurs. The quicker you clean spills and stains, the easier they can be to remove.

When removing stains, typically these are the steps you should try:

- Blot (don't rub) liquid spills with a clean, dry cloth. For oil-based spills, apply an absorbent such as corn starch, then remove with a straight edge.

- Spray on a mild cleaning solution of soap (such as Woolite® or Dawn®) and water.
- Rinse the fabric thoroughly to remove all soap residue.
- Air dry.

Avoid scrubbing, hard bristle brushes or any other abrasive cleaning method.

Sunbrella should only be allowed to air dry.

Protect the area around your Sunbrella fabric when using bleach or other chemical solvents that may discolor non-Sunbrella fabrics. Always rinse Sunbrella thoroughly.

Bleach can have harmful effects on the natural environment around you. Please follow all safety and environmental precautions according to the bleach label.

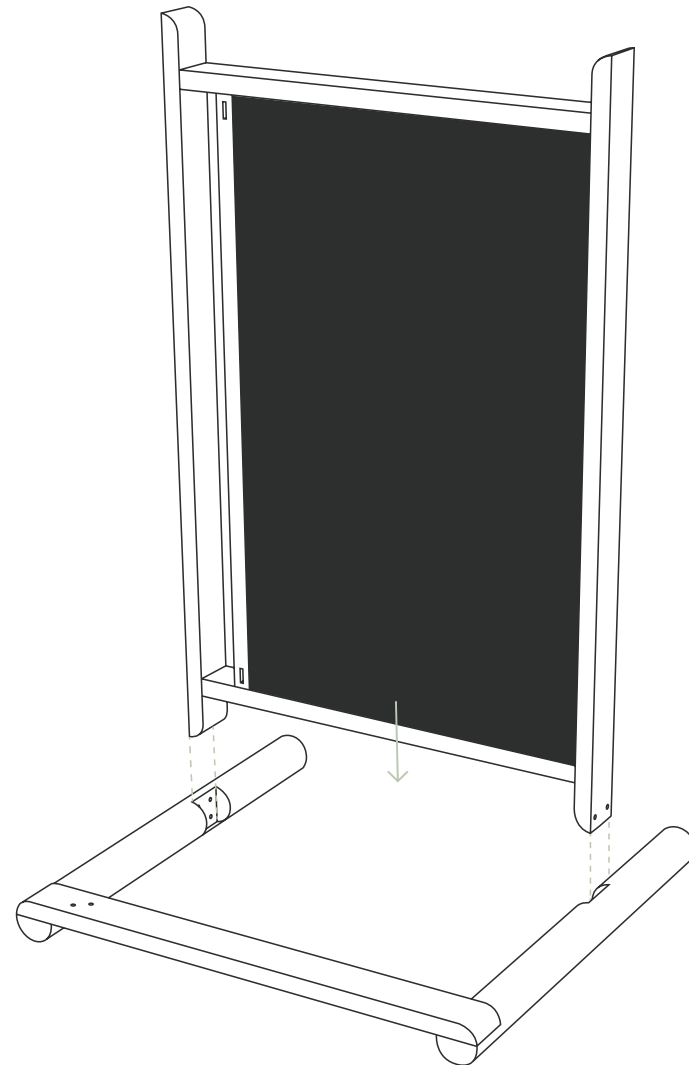
If fabric has some wrinkling, use an iron on the synthetic setting. As iron temperatures may vary, first test a small inconspicuous area before ironing the entire piece.

DO NOT use a steamer or an iron set to the steam setting.

1

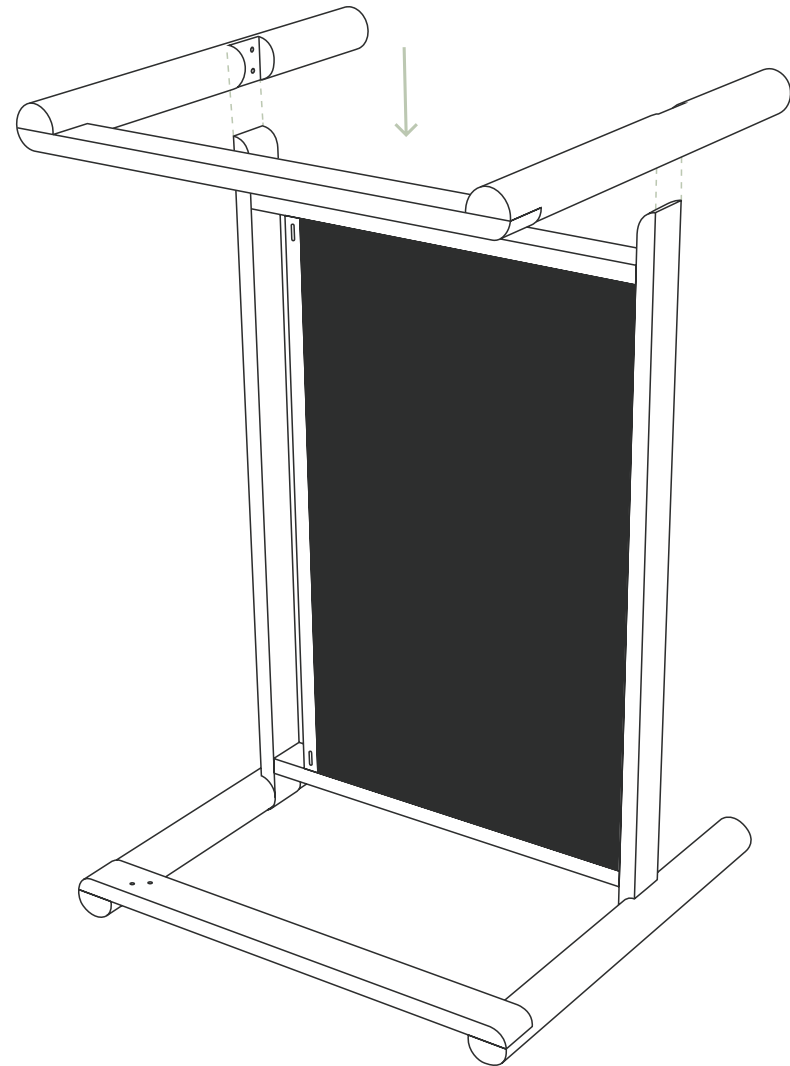
Connect large base and left arm

Place the left arm component on a soft surface, verifying that the two screw holes are facing upward. Gently insert the long base into the left arm's inner slots.



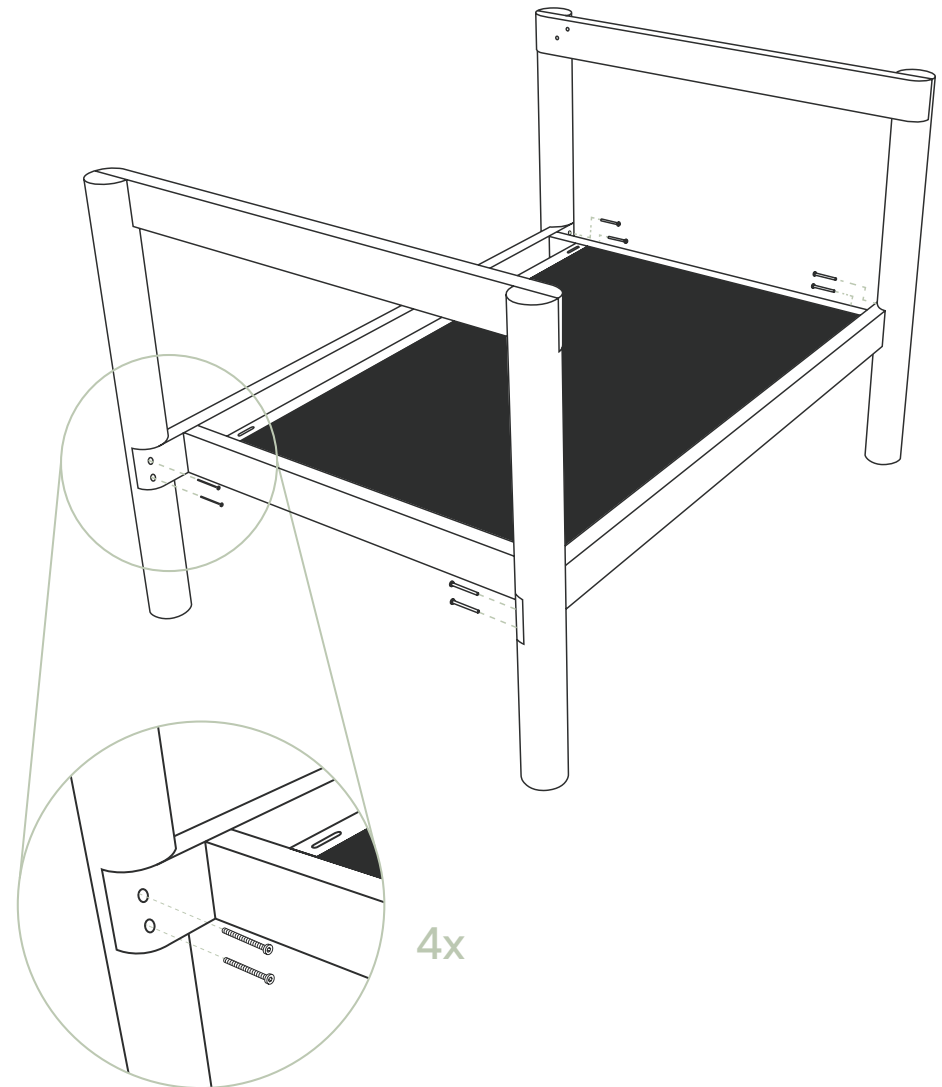
2 Connect right arm to base

Gently insert the right arm by sliding it onto the large base until its holes are aligned with the corresponding threaded holes on the base's.



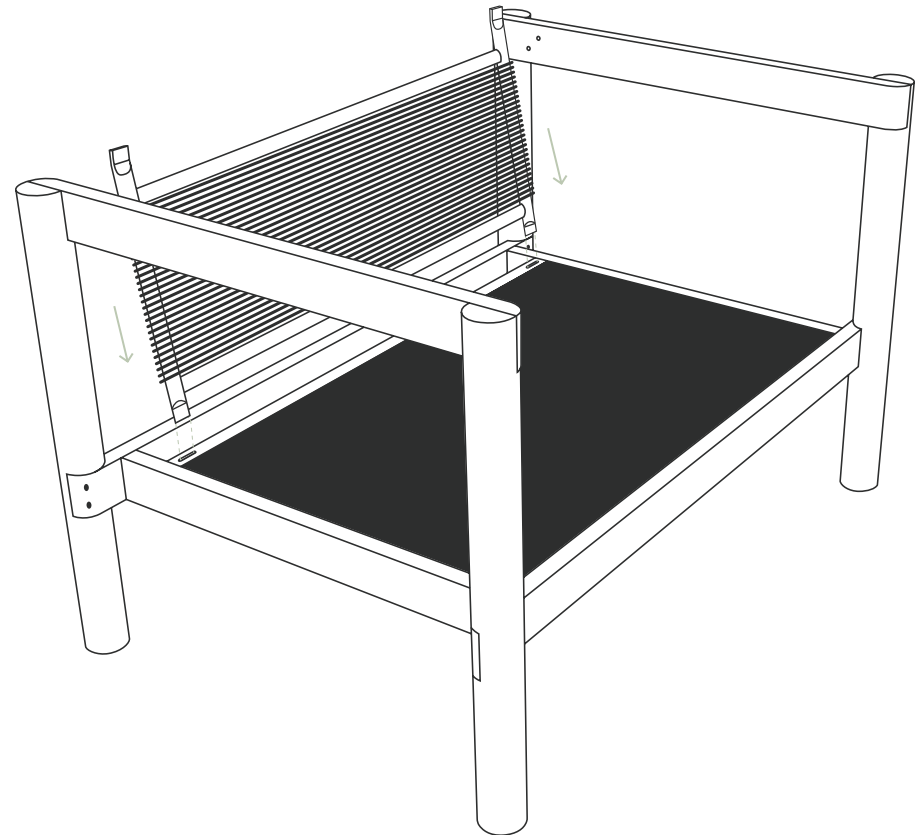
3 Fasten arms to base

Using the Allen wrench provided, fasten the base to both the left and right arm components with two bolts. Repeat on all four legs.



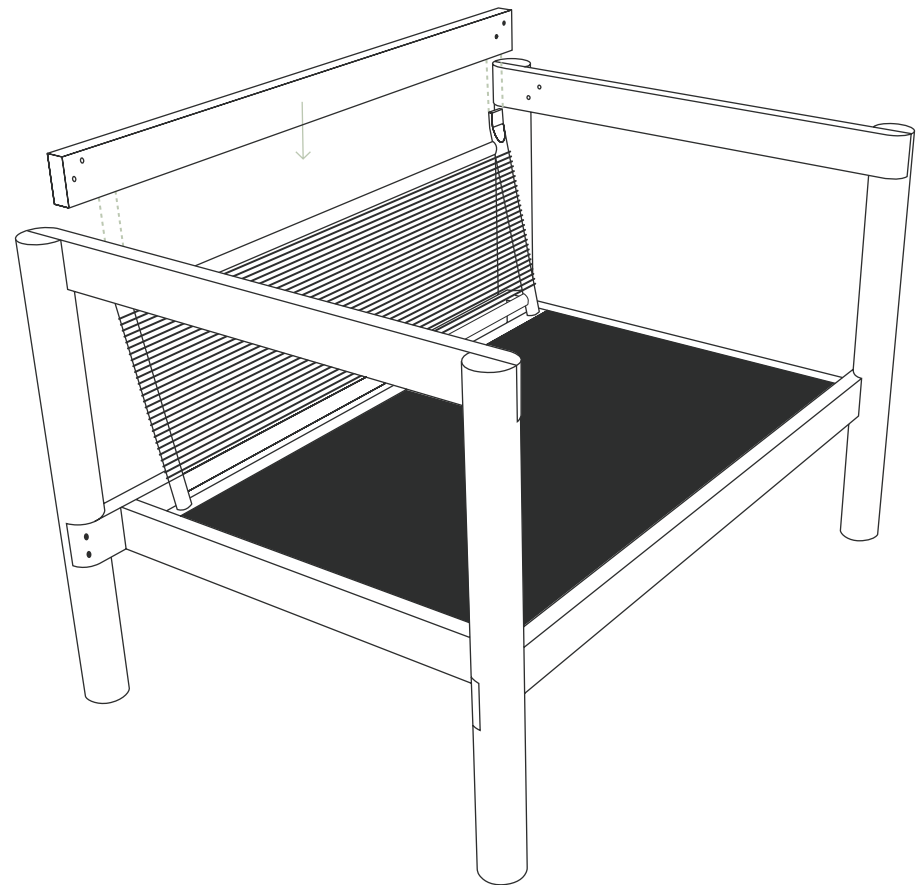
4 Secure roped back to base

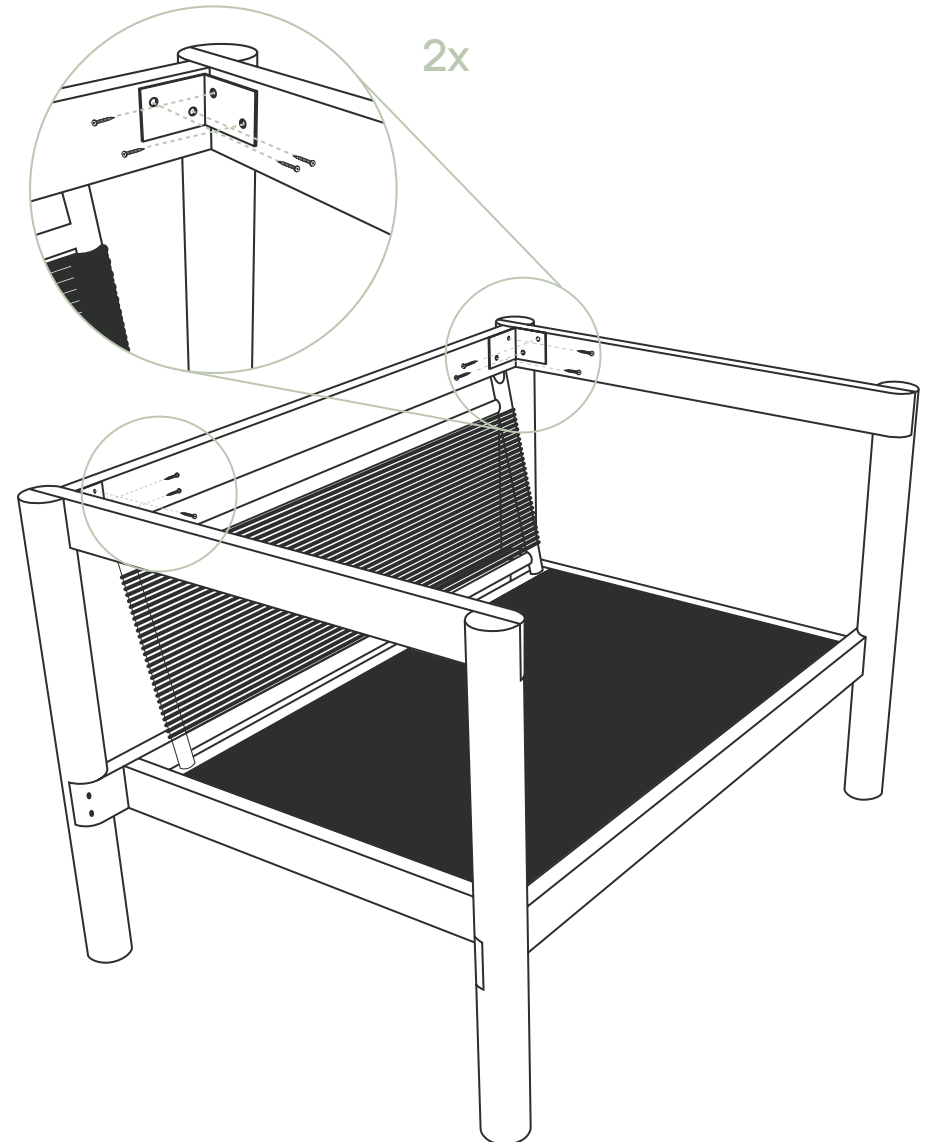
Insert the lower brackets of the chair's back component into the slots of its base..



5 Attach back support to roped back

Lower the back support component onto the roped back by fitting brackets into their corresponding grooves. Align slots underneath back support with the corresponding roped back's top brackets. Then insert bracket into the slot.





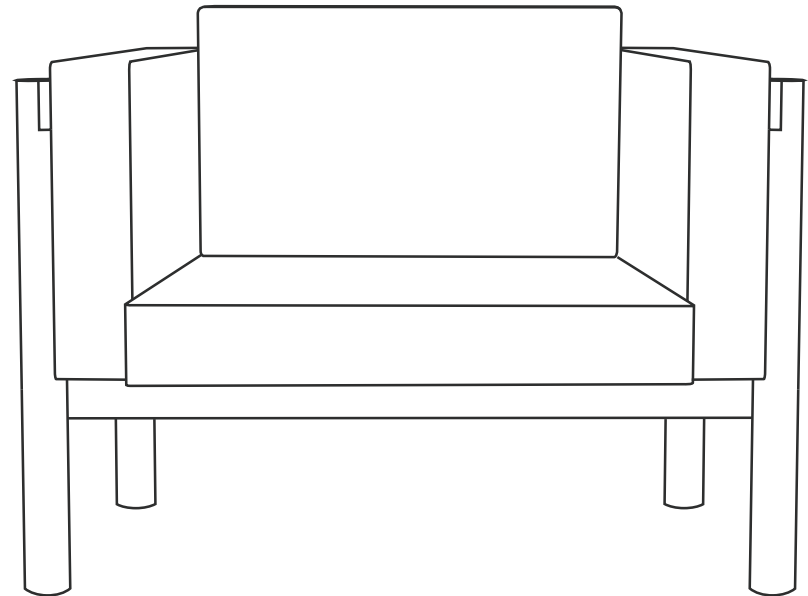
6

Fasten back support to arms

Aligning the pre-drilled holes on the arm components with the holes on the L-bracket. Then, with a Phillips Head screwdriver, gently secure with four screws. Repeat opposite side.



2x



7

Add cushions

First with zipper seams facing backward, add arm cushions to each side. Thread the cushions' laces around the roped back posts and tie them down. Then add the base cushion. Finally, add the back cushion. Relax! You're ready to enjoy your chair.

Contact

Have a question, comment, feedback?
We love hearing from customers.

support@hineighbor.com
hineighbor.com

neighbor