

# The 8-Piece U-Shaped Sectional

## Assembly Guide

### BOXES NEEDED:

- |                            |                               |
|----------------------------|-------------------------------|
| (1) Left Arm Module Frame  | (1) Left Arm Module Cushions  |
| (1) Right Arm Module Frame | (1) Right Arm Module Cushions |
| (4) Armless Module Frame   | (4) Armless Module Cushions   |
| (2) Corner Module Frame    | (2) Corner Module Cushions    |

*neighbor*

# Parts



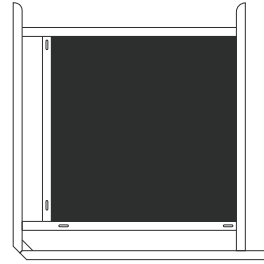
## 2X Long Base

Left Arm Module Frame Box  
Right Arm Module Frame Box



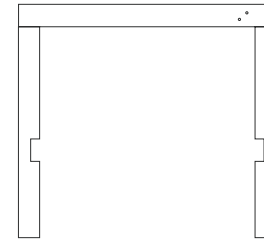
## 4X Short Base

Armless Module Frame Box



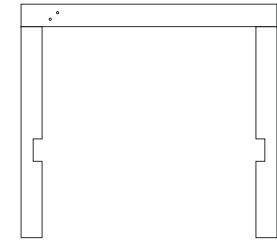
## 2X Corner Base

Corner Module Frame Box



## 1X Left Arm

Left Arm Module Frame Box



## 1X Right Arm

Right Arm Module Frame Box



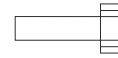
## 2X Large Roped Back

Left Arm Module Frame Box  
Right Arm Module Frame Box



## 8X Small Roped Back

Armless Module Frame Box  
Corner Module Frame Box



## 2X Corner Block Leg

Corner Module Frame Box



## 1X Left Arm Module Back Support

Left Arm Module Frame Box



## 1X Right Arm Module Back Support

Right Arm Module Frame Box



## 4X Armless Module Back Support

Armless Module Frame Box



## 7X Large Leg

Right Arm Module Frame Box  
Armless Module Frame Box



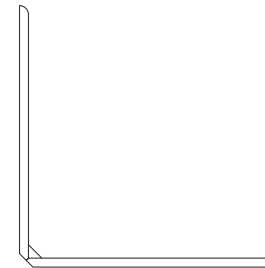
## 2X Corner Leg

Corner Module Frame Box



## 5X Small Leg

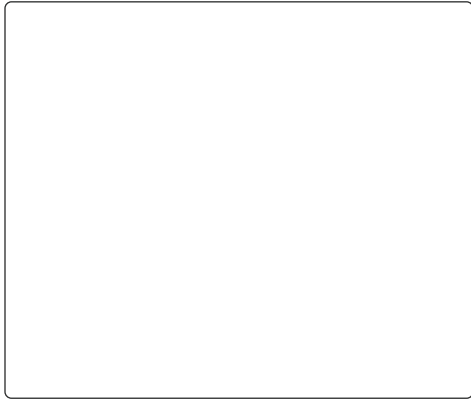
Right Arm Module Frame Box  
Armless Module Frame Box  
Corner Module Frame Box



## 2X Corner Module Back Support

Corner Module Frame Box

# Cushions

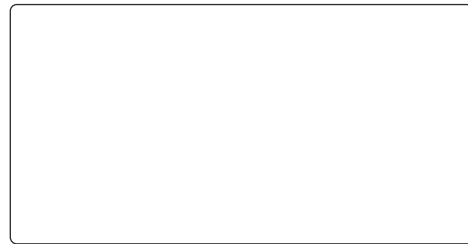


## 6X Base Cushion

Left Arm Module Cushion Box (1)

Right Arm Module Cushion Box (1)

Armless Module Cushion Box (4)



## 6X Back Cushion

Left Arm Module Cushion Box (1)

Right Arm Module Cushion Box (1)

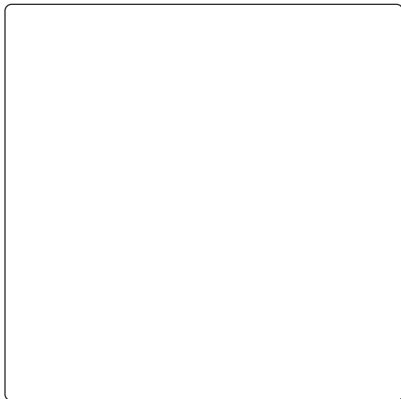
Armless Module Cushion Box (4)



## 2X Arm Cushion

Left Arm Module Cushion Box

Right Arm Module Cushion Box



## 2X Corner Base Cushion

Corner Module Cushion Box



## 2X Large Corner Back Cushion

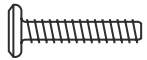
Corner Module Cushion Box



## 2X Small Corner Back Cushion

Corner Module Cushion Box

# Hardware



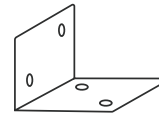
**68X Hex Bolt**  
All Frame Boxes



**8X Long Hex Bolt**  
Corner Module Frame Box



**8X Screw**  
Left Arm Module Frame Box  
Right Arm Module Frame Box

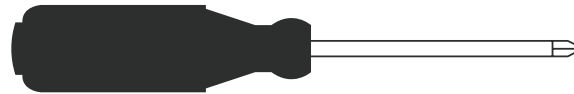


**2X L-Bracket**  
Left Arm Module Frame Box  
Right Arm Module Frame Box

# Tools



**1X Allen Wrench**  
All Frame Boxes



**Phillips Head Screwdriver**  
\*Not included

## Assembly Tips

### Exercise caution while lifting

Two-person lift is recommended. Both the boxes and the product itself are large and heavy and awkward to lift alone.

### Lay everything out before you begin

Spreading out all of the components prior to assembling them will help you find the parts you are looking for and will make for a faster and easier assembly process!

### Assemble on a soft surface

We recommend assembling your furniture on a soft surface such as a rug(s) or a towel(s). The wood frame can scratch easily if accidentally rubbed against harsh textures like brick or concrete.

### Loose first, then tight

Do not fully tighten hex bolts when assembling. Insert them loosely first. After the modules are fully assembled, then tighten the bolts firmly. Differing humidity levels can slightly affect how the pieces fit together and this strategy should alleviate that.

## Product Care

### Caring for teak

Unfinished teak will gradually change color from a honey gold to a silver-grey patina. We encourage allowing the teak to turn color naturally and cleaning it annually or bi-annually. As for cleaning, we recommend Golden Teak Cleaner, which is specifically designed to kill mould and mildew spores inside teak.

Avoid prolonging mildew growth. If left in the shade for extended periods of time, this can be common.

Covering your furniture for extended periods of time, especially if enduring consistent inclement weather will greatly prolong the lifespan of the wood.

### Caring for cushion cover fabric

One of the best ways to keep your Sunbrella fabric looking good is to brush off dirt before it becomes embedded in the fabrics and wipe up spills or clean soon after a stain occurs. The quicker you clean spills and stains, the easier they can be to remove.

*When removing stains, typically these are the steps you should try:*

- Blot (don't rub) liquid spills with a clean, dry cloth. For oil-based spills, apply an absorbent such as corn starch, then remove with a straight edge.

- Spray on a mild cleaning solution of soap (such as Woolite® or Dawn®) and water.
- Rinse the fabric thoroughly to remove all soap residue.
- Air dry.

Avoid scrubbing, hard bristle brushes or any other abrasive cleaning method.

Sunbrella should only be allowed to air dry.

Protect the area around your Sunbrella fabric when using bleach or other chemical solvents that may discolor non-Sunbrella fabrics. Always rinse Sunbrella thoroughly.

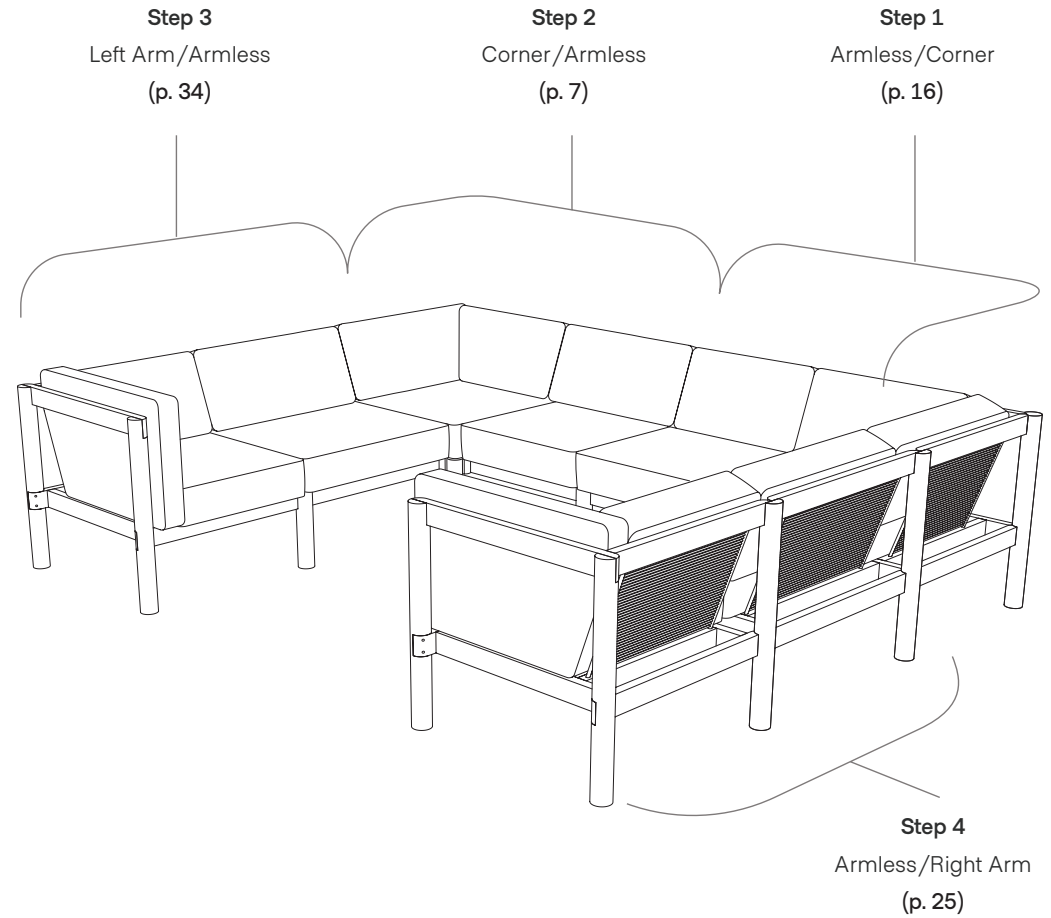
Bleach can have harmful effects on the natural environment around you. Please follow all safety and environmental precautions according to the bleach label.

If fabric has some wrinkling, use an iron on the synthetic setting. As iron temperatures may vary, first test a small inconspicuous area before ironing the entire piece.

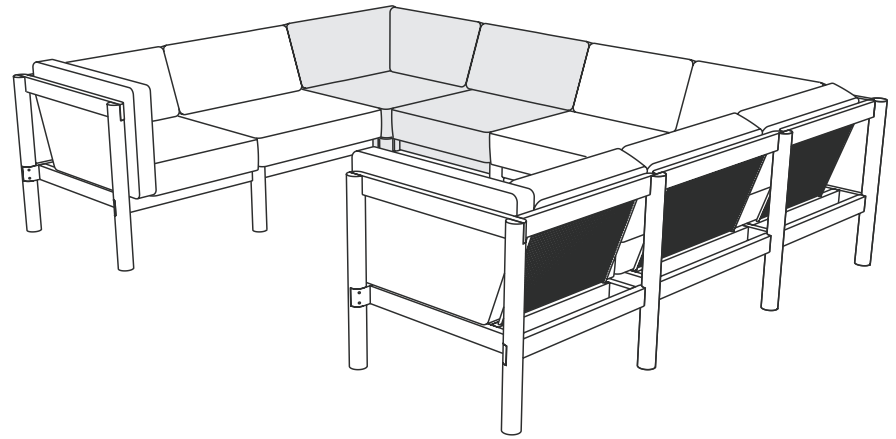
DO NOT use a steamer or an iron set to the steam setting.

## Building your U-shaped sectional

Your 8-Piece U-Shaped Sectional can be assembled in sections. Start by first assembling the Corner/Armless section, then work outward to the additional Armless and Arm components.



# Corner/ Armless

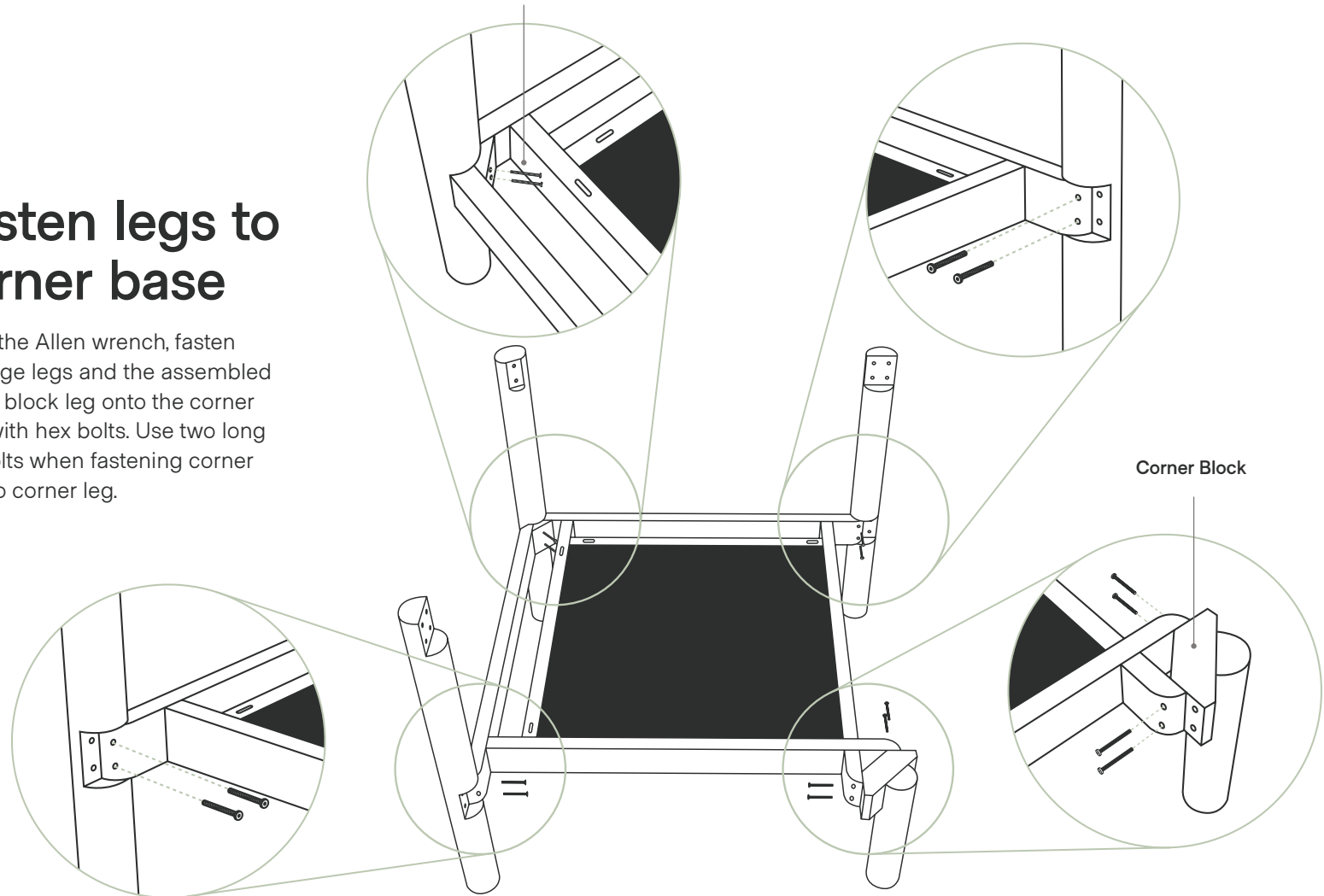


## 1

## Fasten legs to corner base

Using the Allen wrench, fasten two large legs and the assembled corner block leg onto the corner base with hex bolts. Use two long hex bolts when fastening corner base to corner leg.

2X Long Hex Bolt

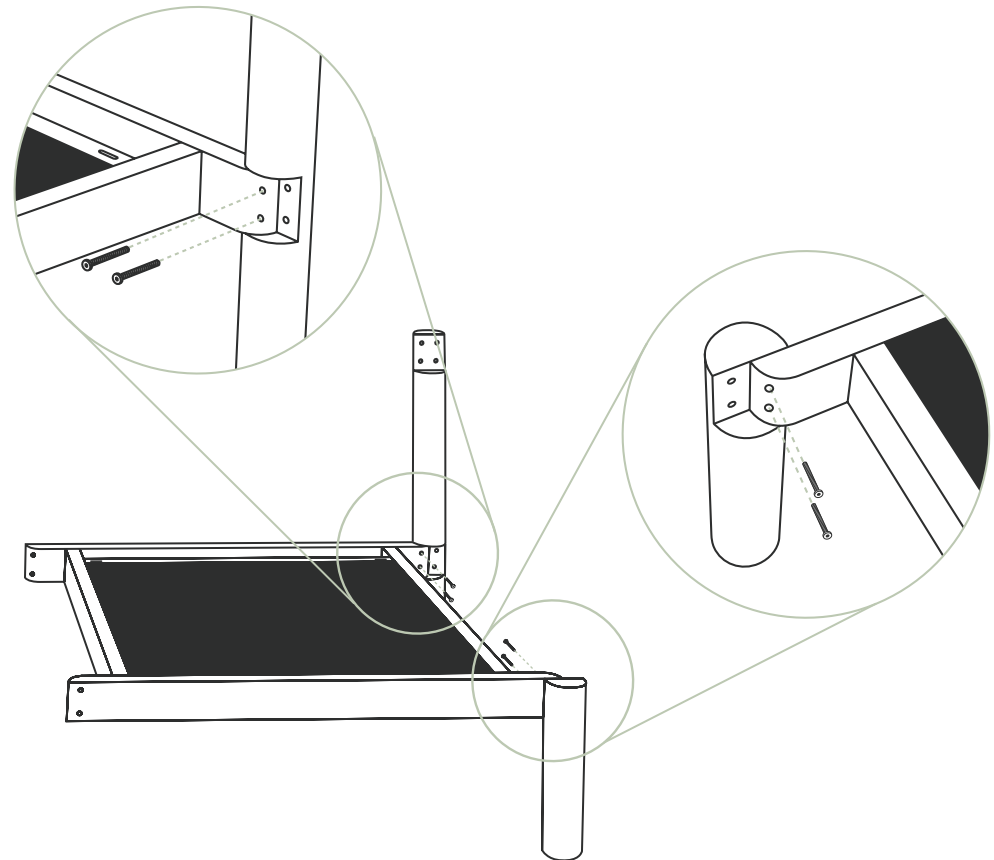


Corner Block



## 2 Fasten legs to right side of short base

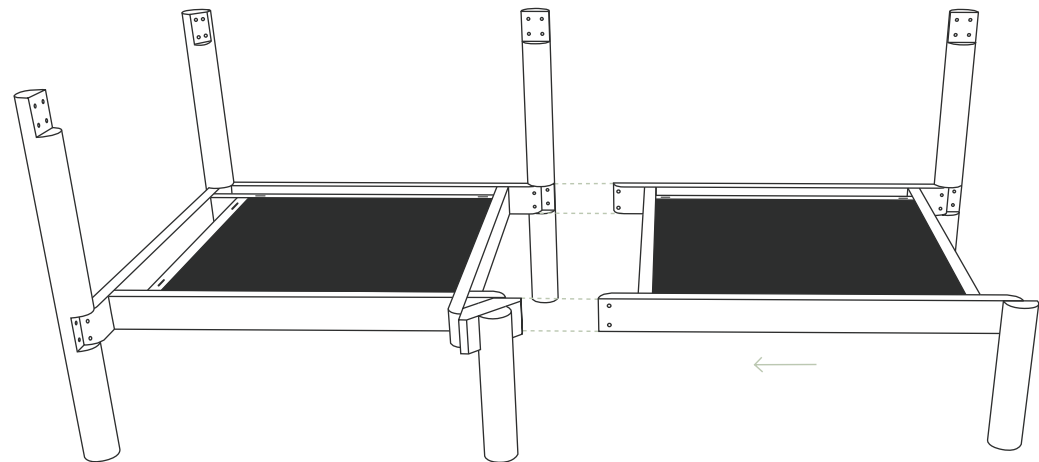
With the Allen wrench, thread two hex bolts through the holes in the front right side of the short base. Fasten to the short leg. Repeat this with the large leg on the back right corner of the small base.



# 3

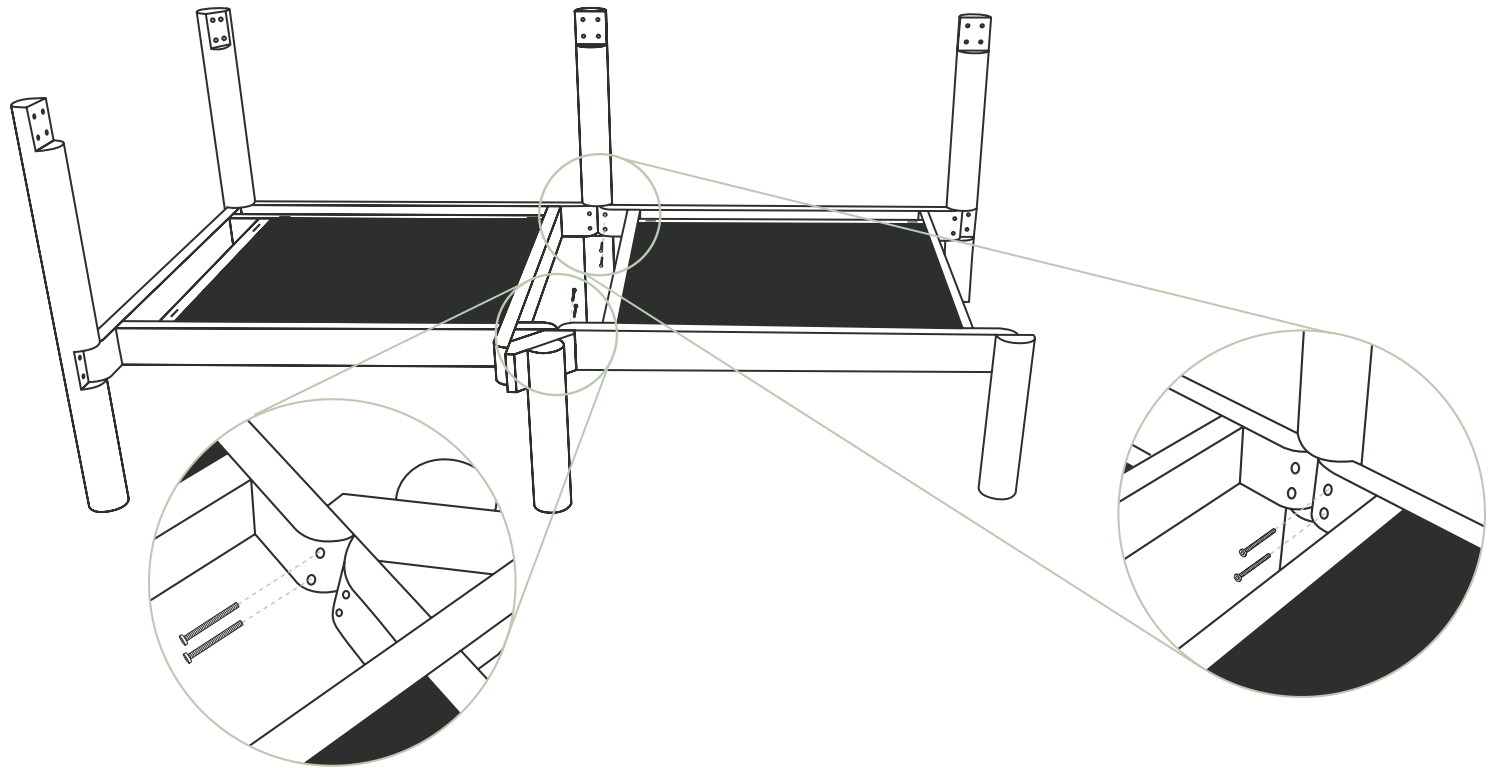
## Connect small base with corner base

Gently slide small base into the grooves located on the large leg and corner block of the corner base. Align the holes located on the small base with the corresponding threaded holes on the corner base.



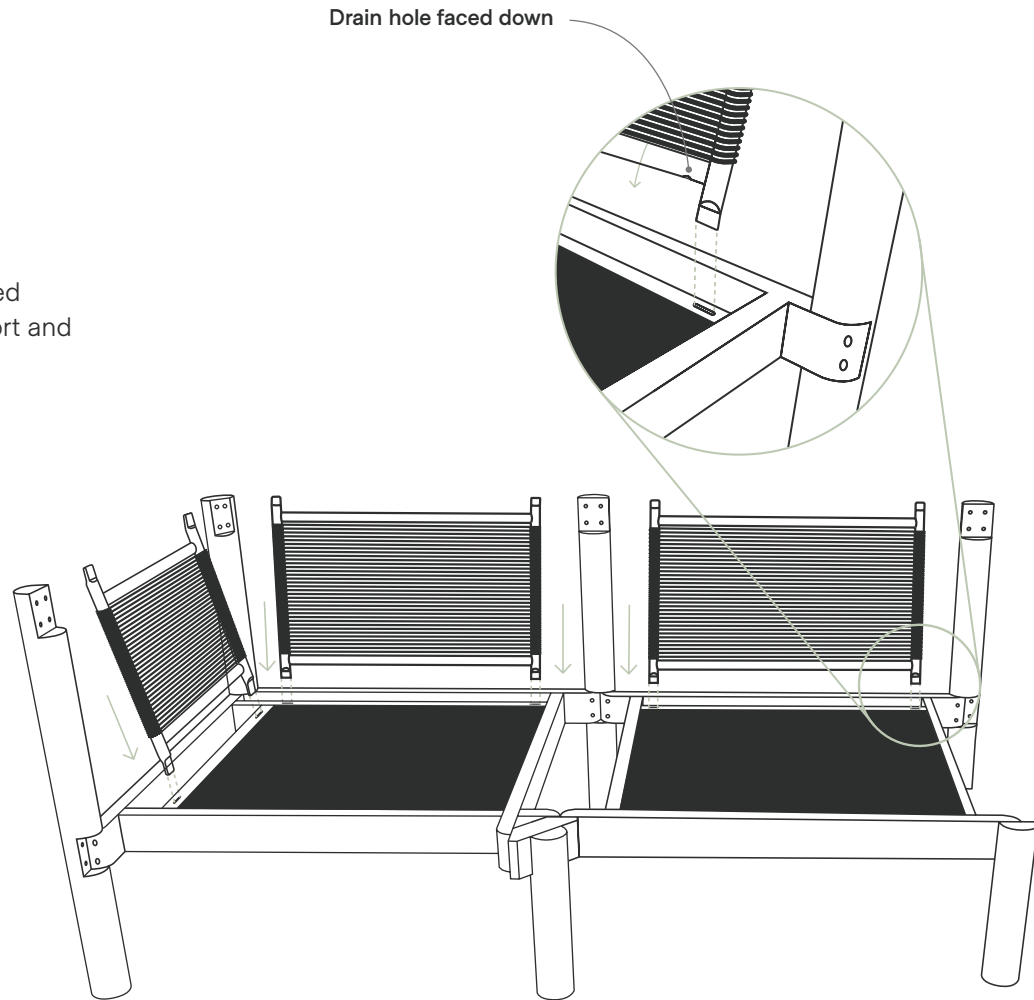
# 4 Fasten small base to corner base

Secure the two bases by inserting four bolts through the holes on the small base. With the Allen wrench, gently fasten them to the four threaded holes located on the corner base.



# 5 Secure roped backs to bases

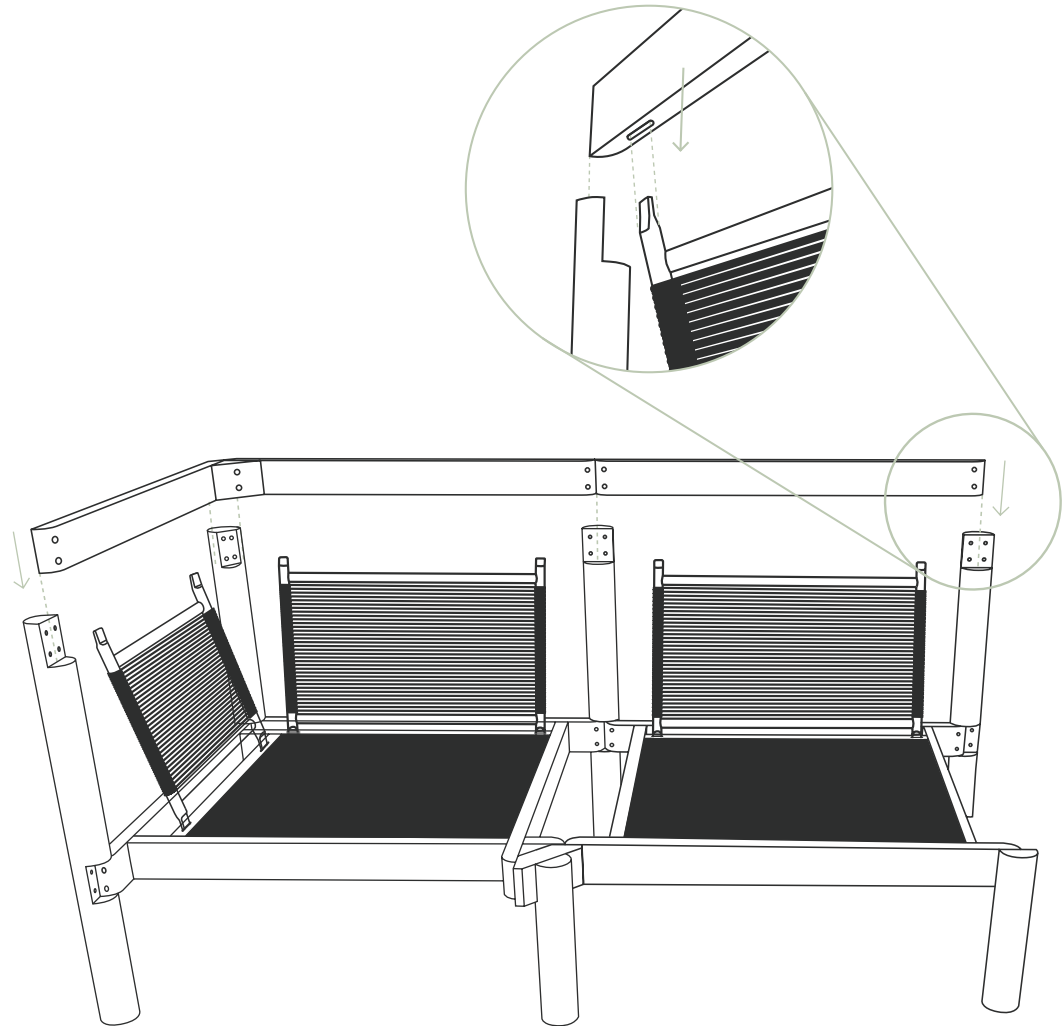
Insert the lower brackets of the small roped back components into the slots of the short and corner base.



## 6

## Attach back supports to roped backs

Insert armless module back support and corner module back support onto the top brackets located on roped backs by inserting them into corresponding slots underneath the back supports.

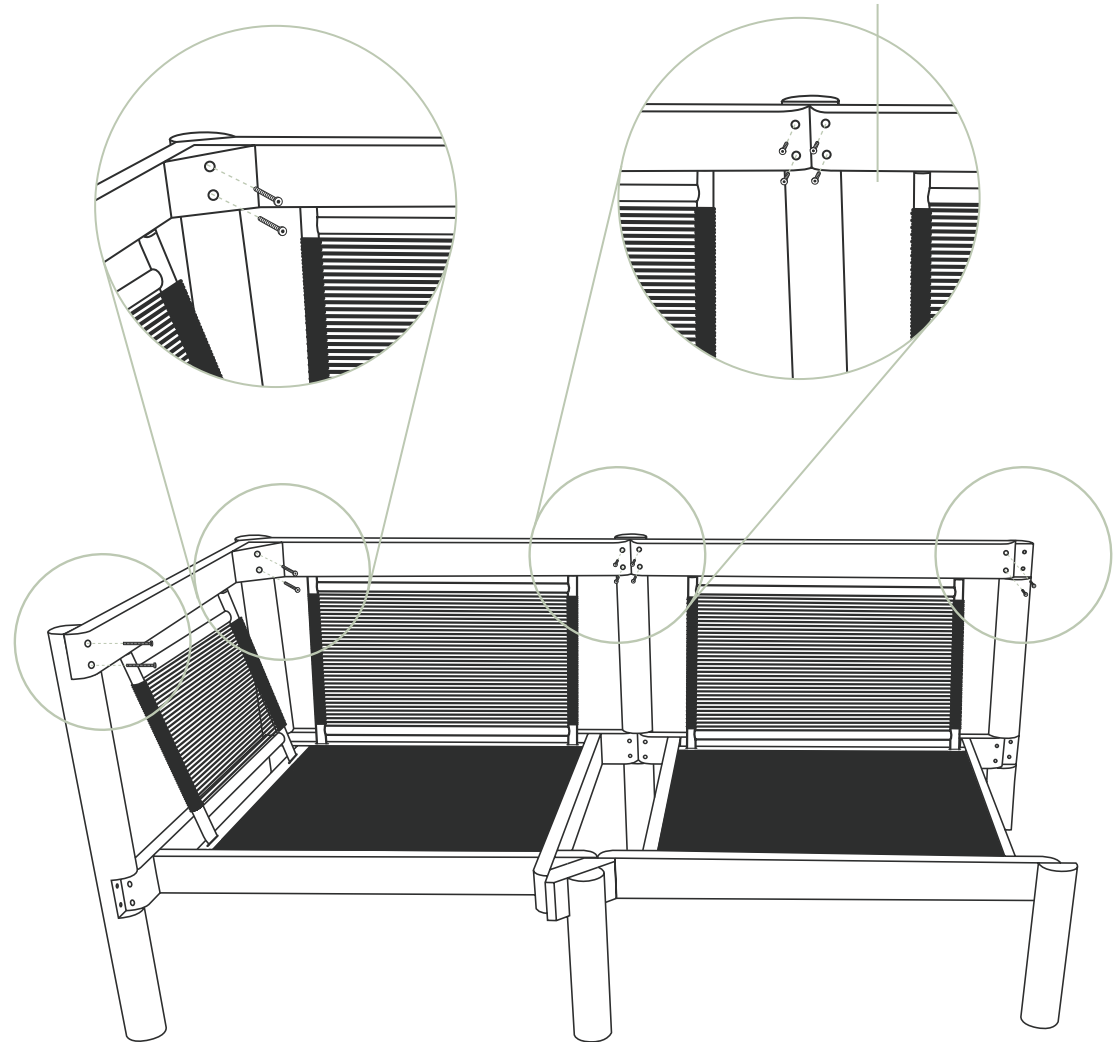


## 7

## Fasten backs to large legs

With your Allen wrench, gently fasten armless back support and corner module back support onto the threaded holes on the top of the large legs with hex bolts. Use two long hex bolts in the back in the far corner of the corner module back support.

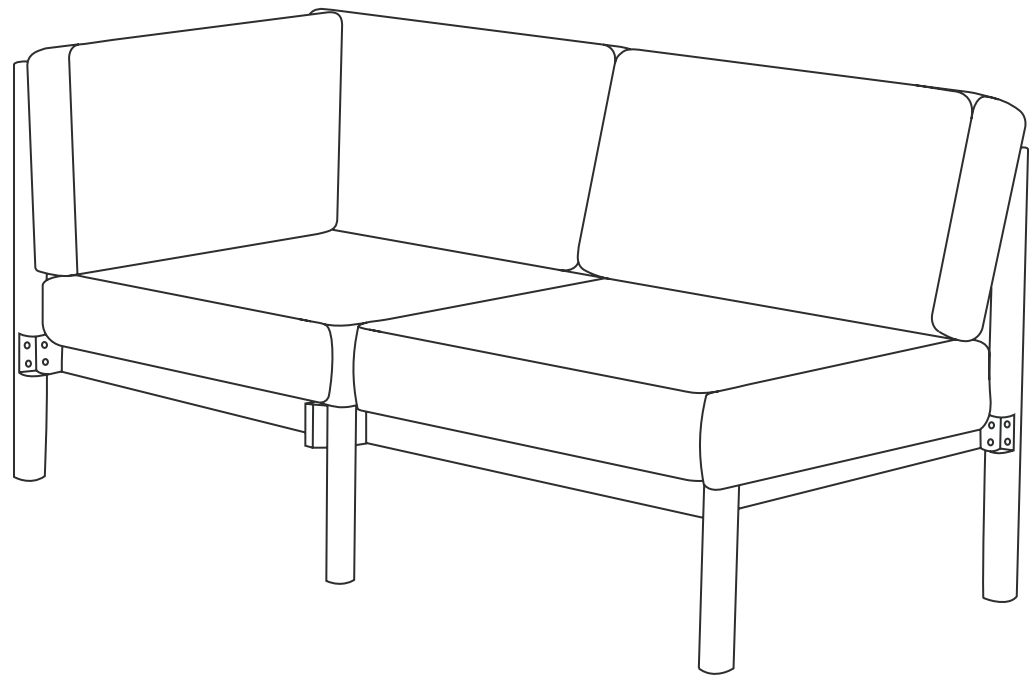
2X Long Hex Bolt



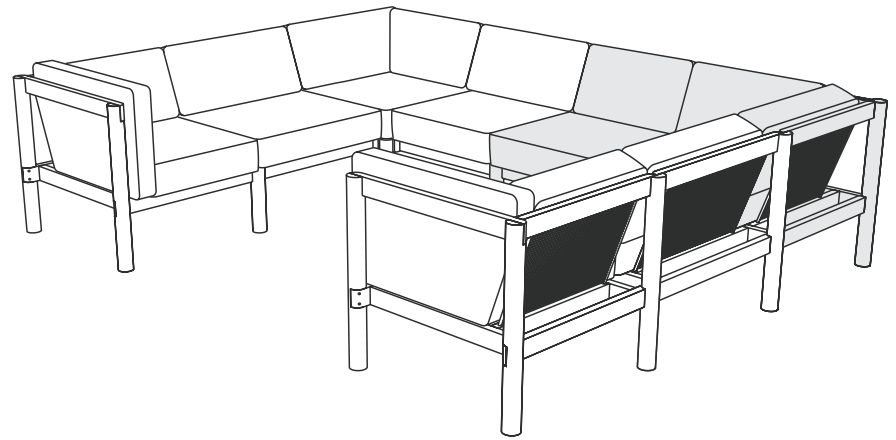


## Add base and back cushions

After successfully assembling the Armless to Corner Module and fastening them to other modules, you can finally add your cushions (zipper facing backward). Time to relax!



# Armless/ Corner

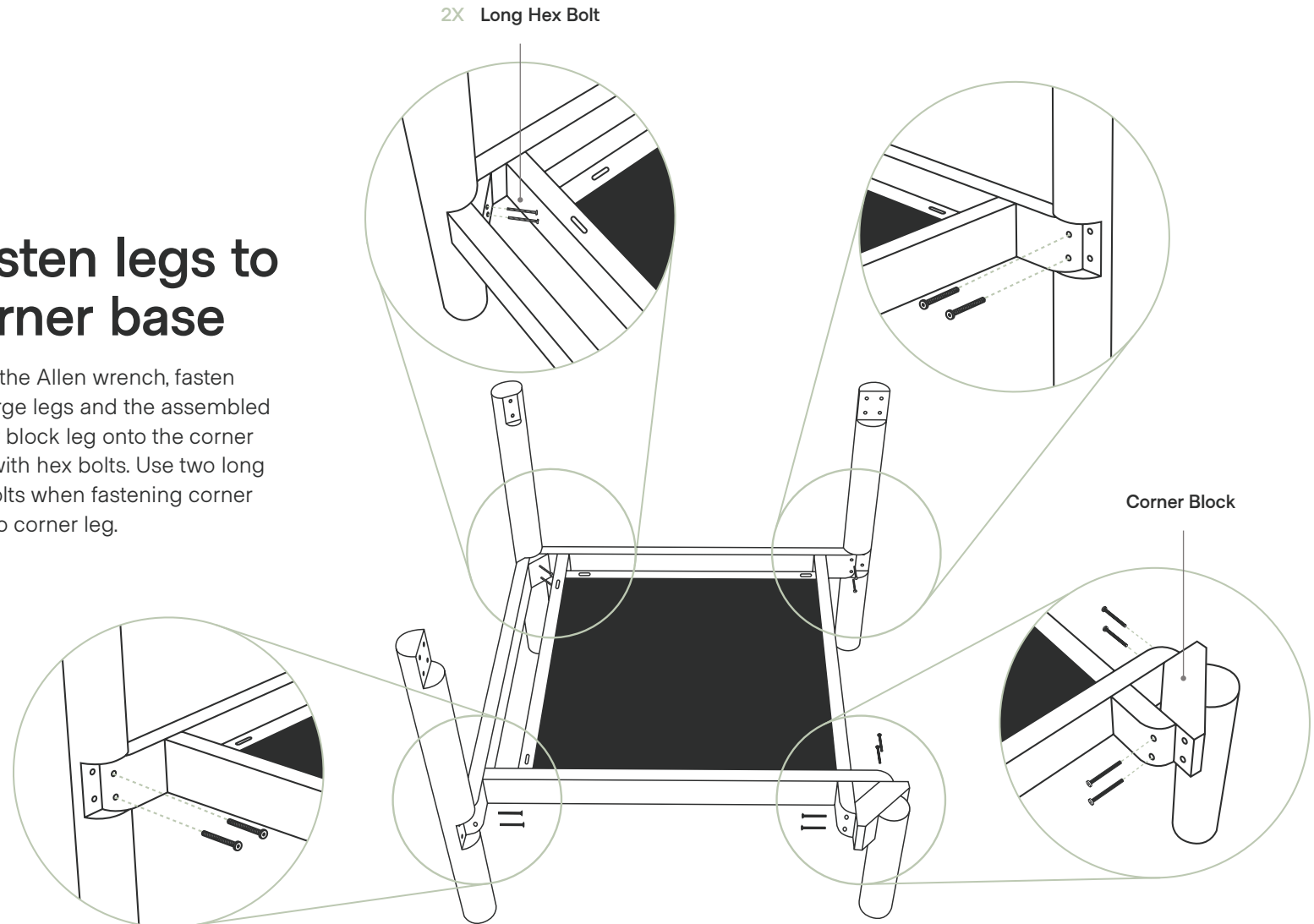




## 1

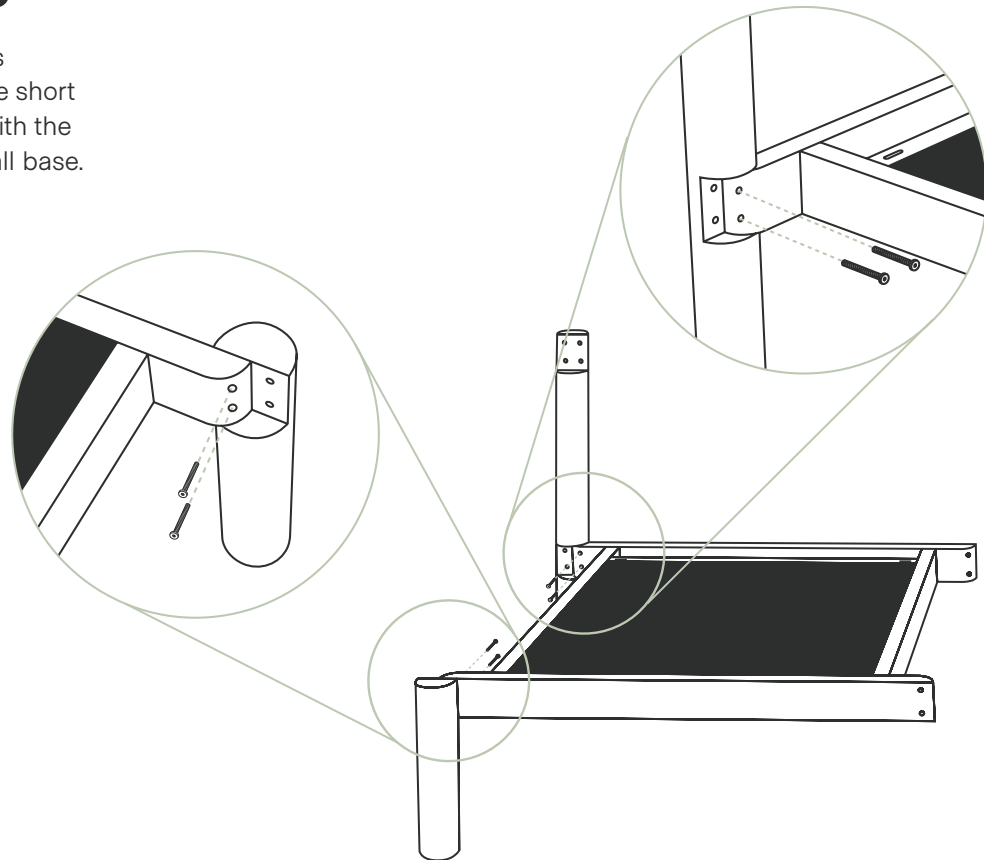
## Fasten legs to corner base

Using the Allen wrench, fasten two large legs and the assembled corner block leg onto the corner base with hex bolts. Use two long hex bolts when fastening corner base to corner leg.



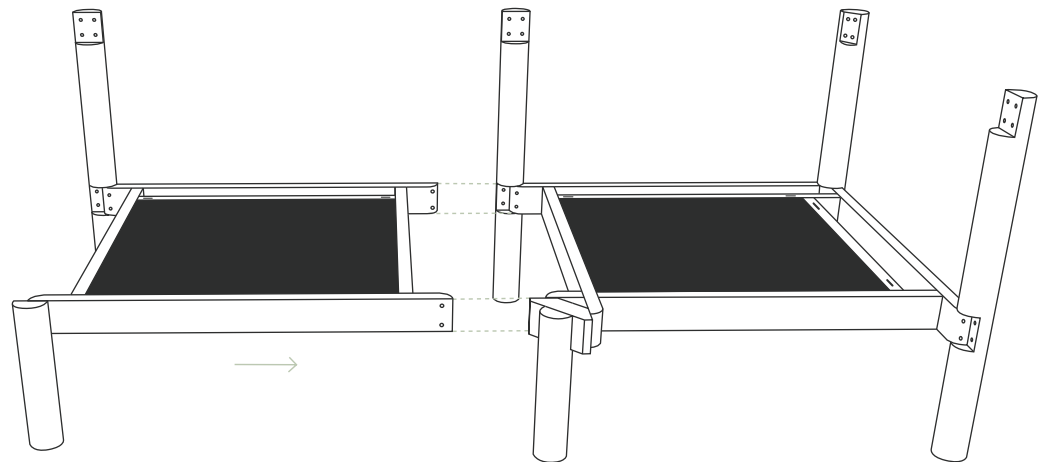
## 2 Fasten legs to left side of short base

With the Allen wrench, thread two hex bolts through the holes in the front left side of the short base. Fasten to the short leg. Repeat this with the large leg on the back left corner of the small base.



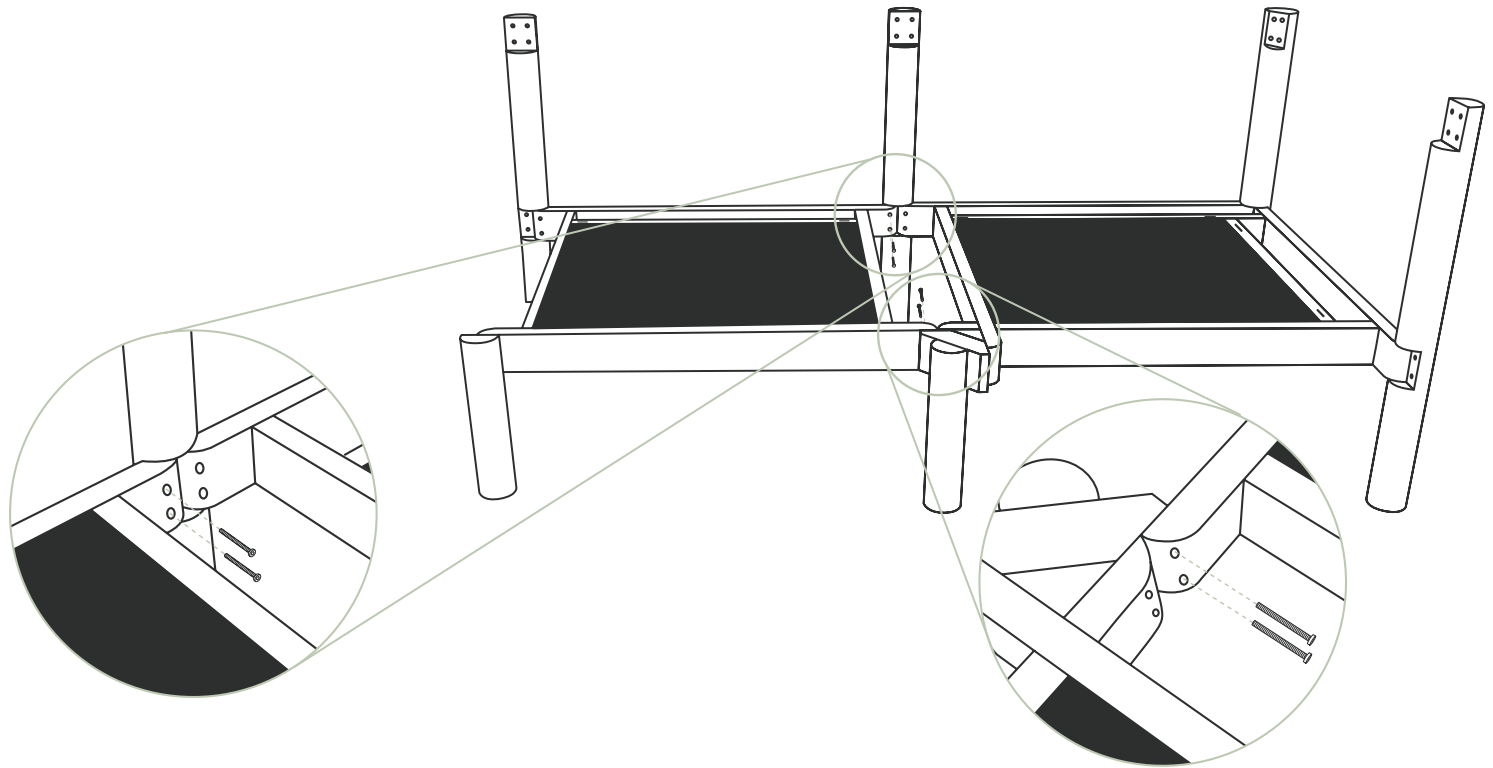
### 3 Connect small base with corner base

Gently slide small base into the grooves located on the large leg and corner block of the corner base. Align the holes located on the small base with the corresponding threaded holes on the corner base.



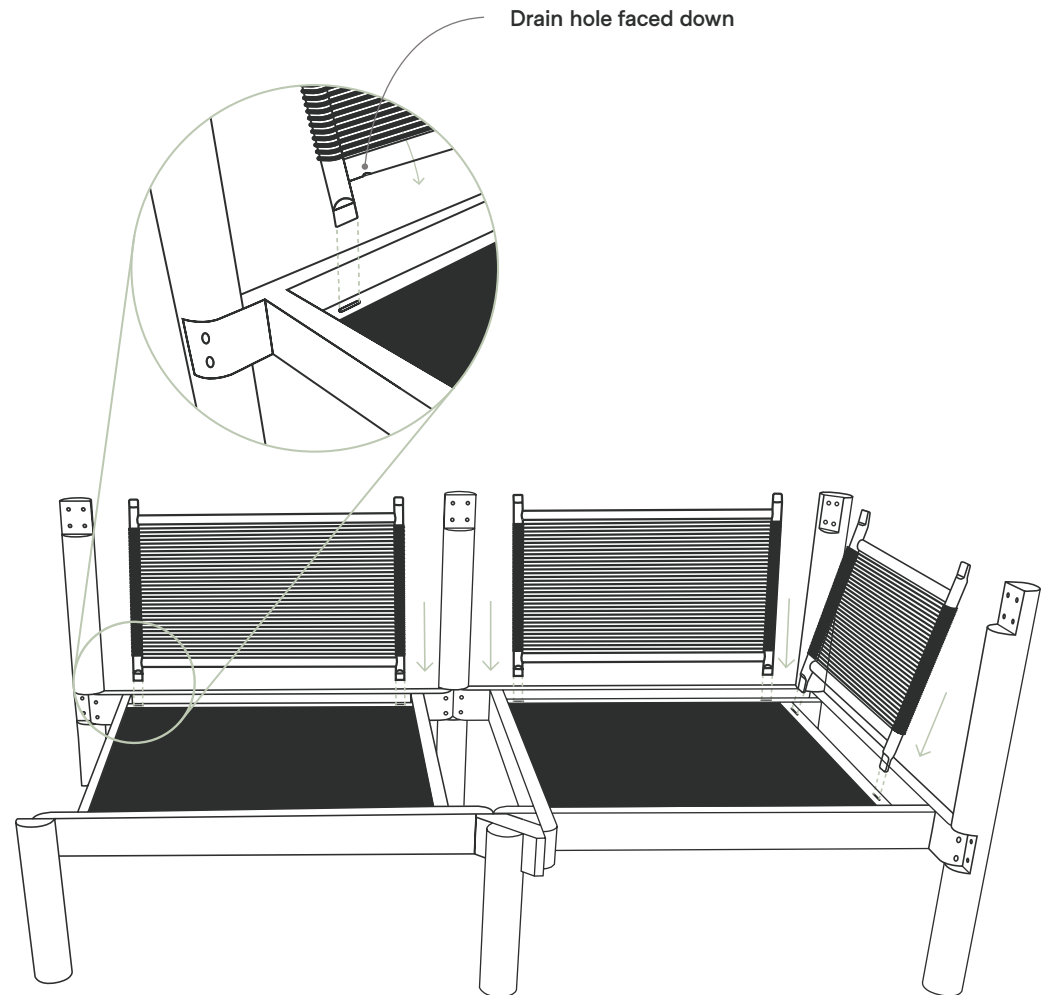
# 4 Fasten small base to corner base

Secure the two bases by inserting four bolts through the holes on the small base. With the Allen wrench, gently fasten them to the four threaded holes located on the corner base.



# 5 Secure roped backs to bases

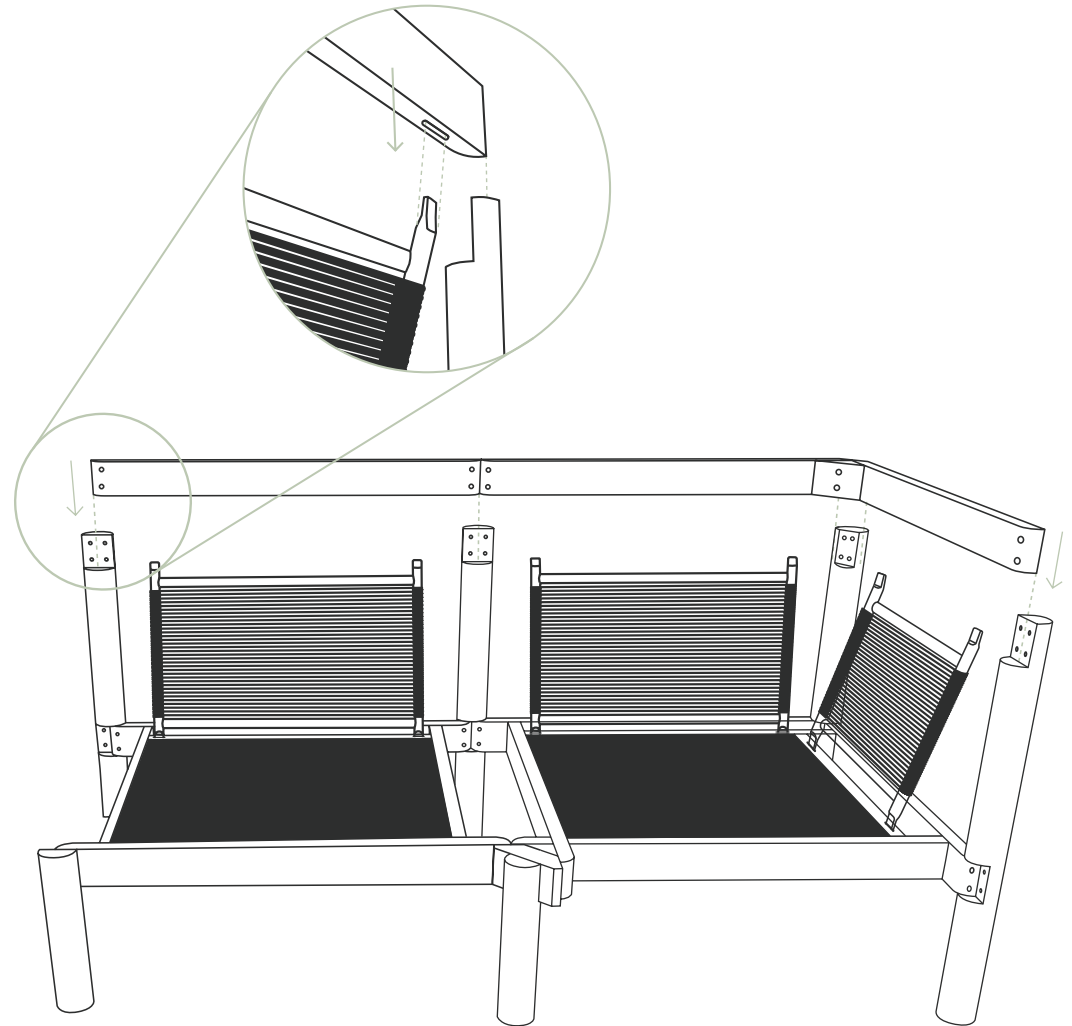
Insert the lower brackets of the small roped back components into the slots of the short and corner base.



## 6

## Attach back supports to roped backs

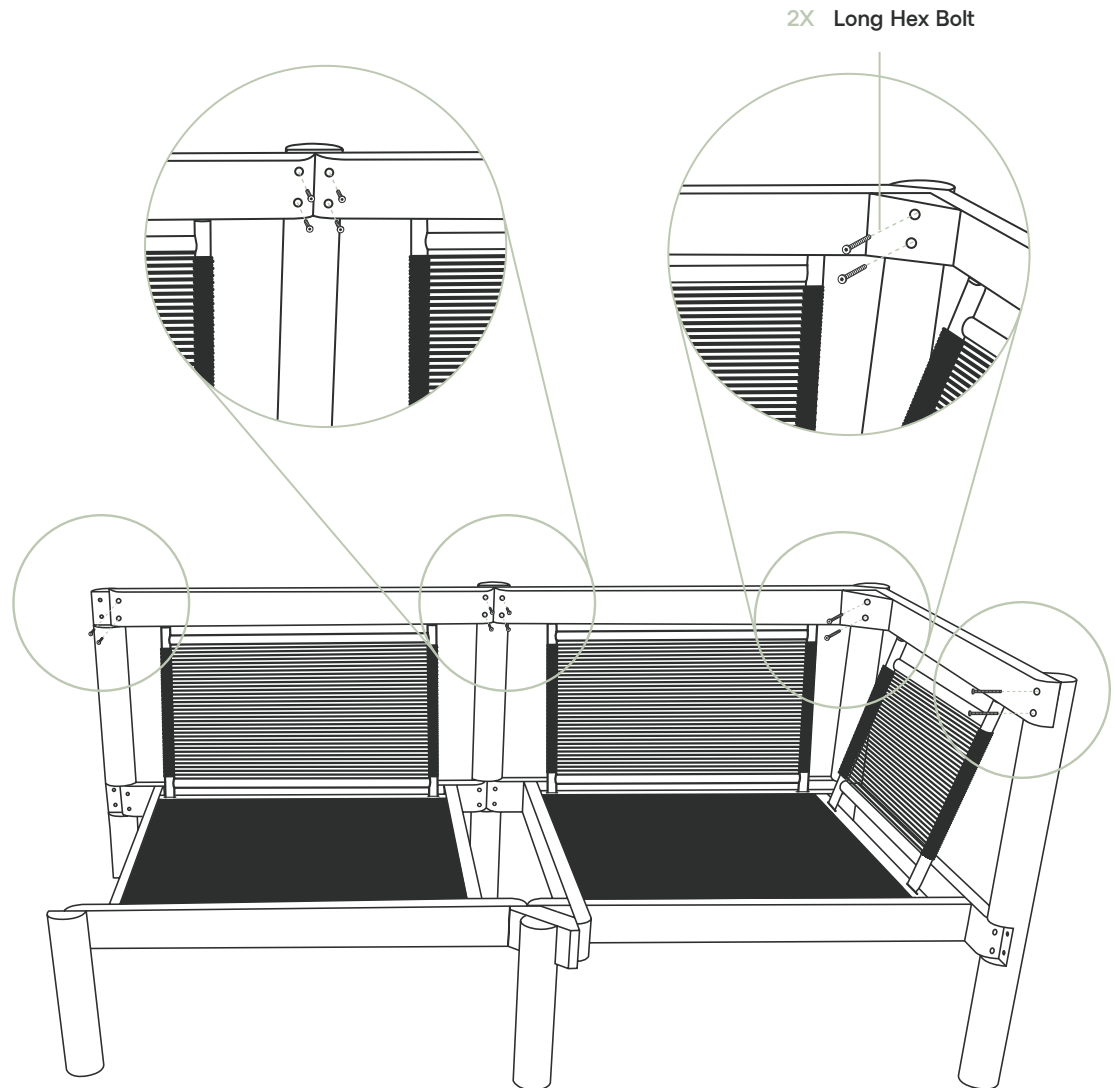
Insert armless module back support and corner module back support onto the top brackets located on roped backs by inserting them into corresponding slots underneath the back supports.



## 7

## Fasten backs to large legs

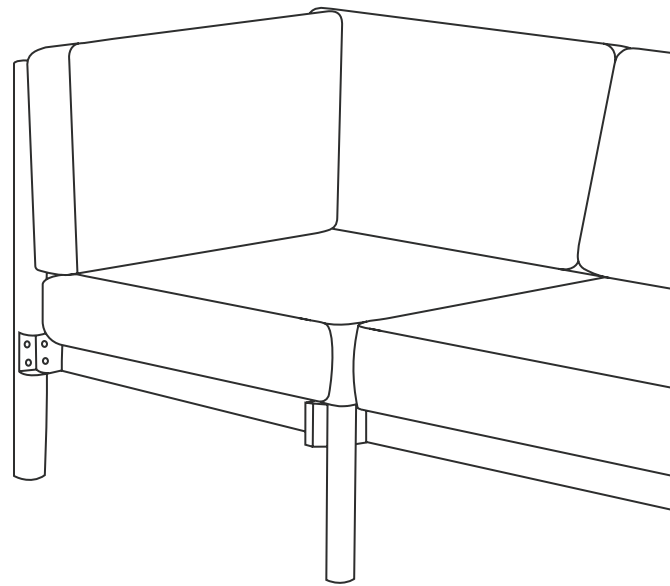
With your Allen wrench, gently fasten armless back support and corner module back support onto the threaded holes on the top of the large legs with hex bolts. Use two long hex bolts in the back in the far corner of the corner module back support.



## 8

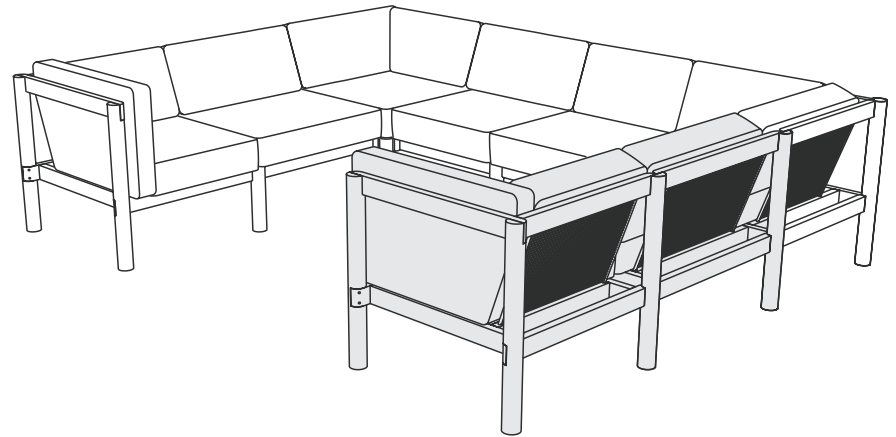
## Add base and back cushions

After successfully assembling the Armless to Corner Module and fastening them to other modules, you can finally add your cushions (zipper facing backward). Time to relax!



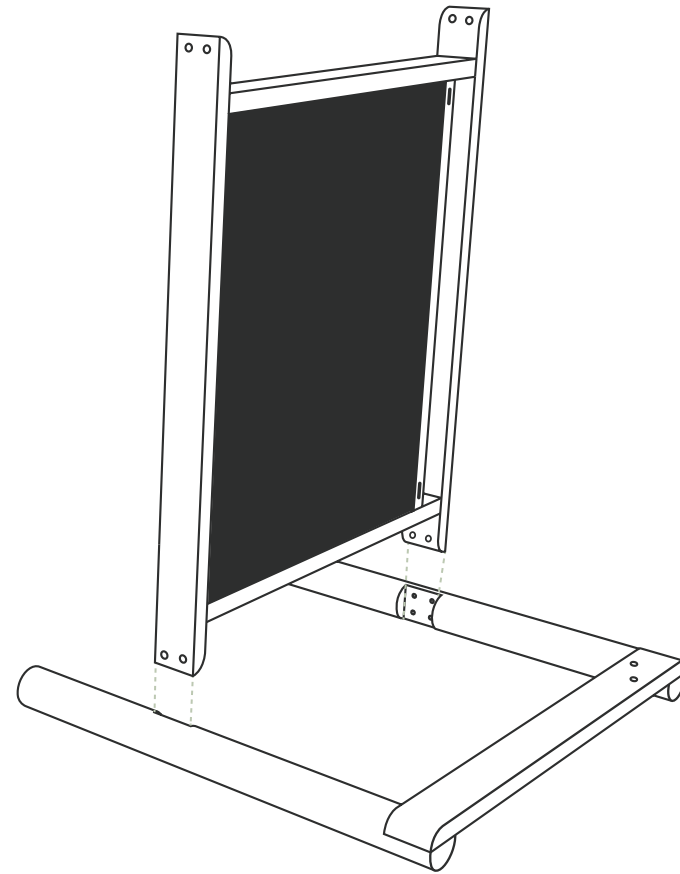


# Armless/ Right Arm



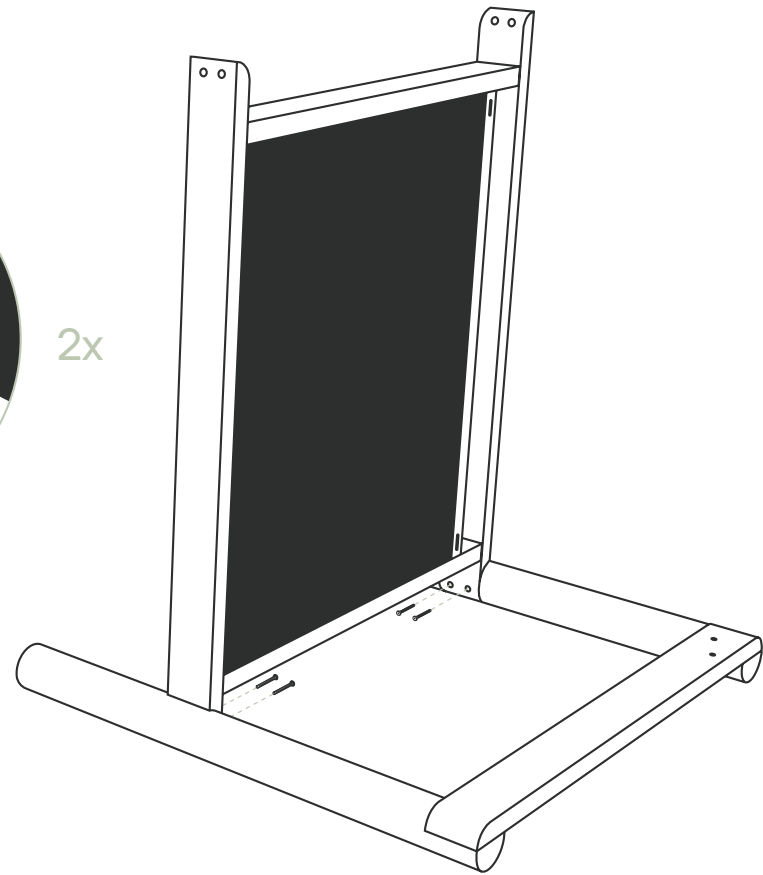
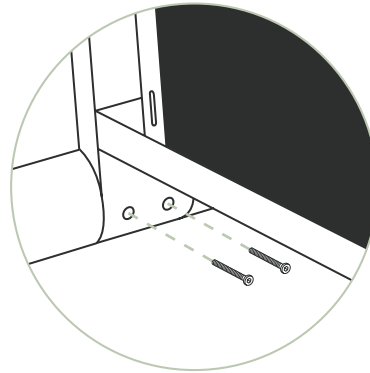
# 1 Connect large base to right arm

Place the right arm component on a soft surface, verifying that the two screw holes are facing upward. Gently insert the long base into the arm's inner slots.



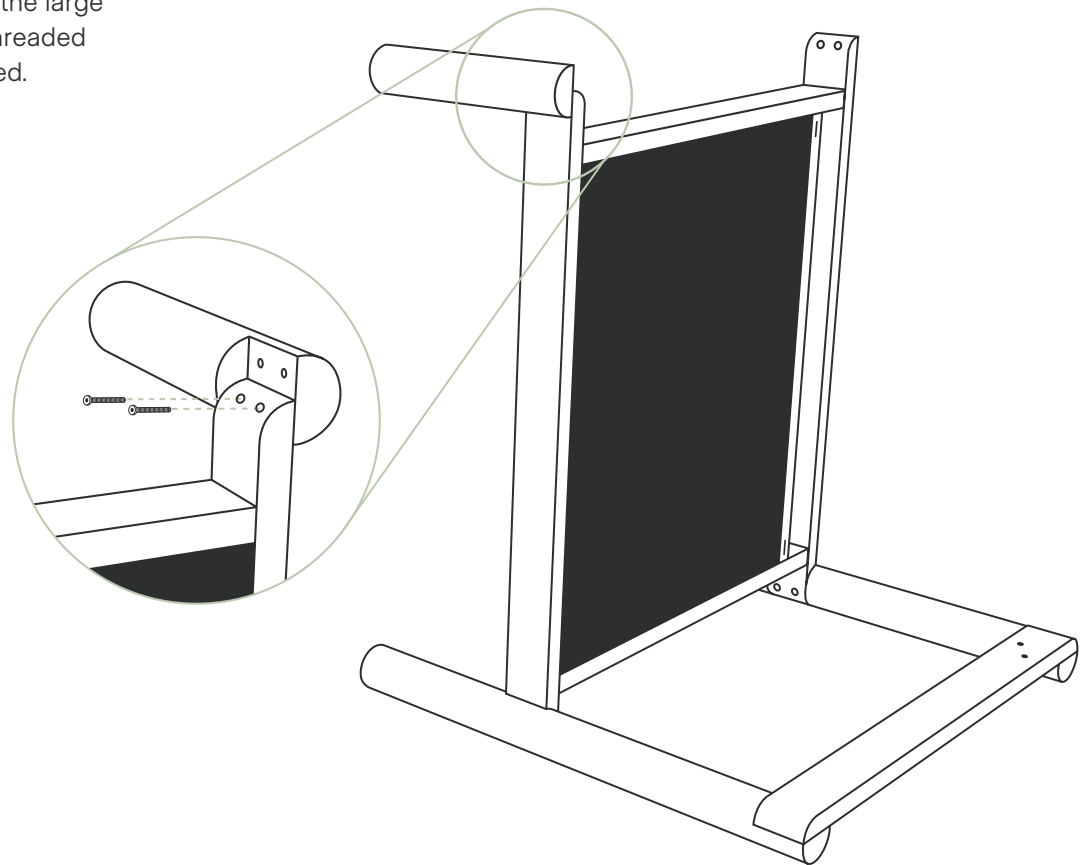
## 2 Fasten large base to right arm

Using the Allen wrench, fasten the large base to both legs of the right arm component with four hex bolts.



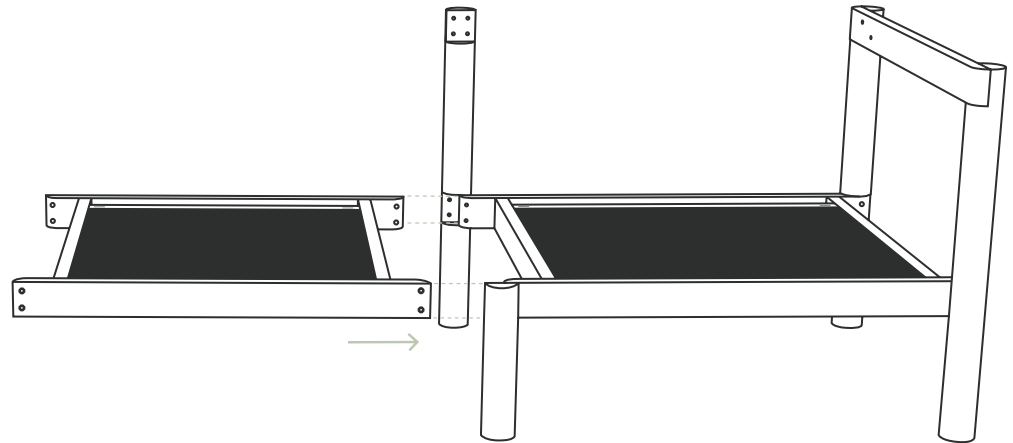
# 3 Fasten small leg to large base

Using the Allen wrench, fasten the small leg to the large base with two hex bolts. Be sure to leave two threaded holes on the small leg exposed as demonstrated.



# 5 Connect large and small bases

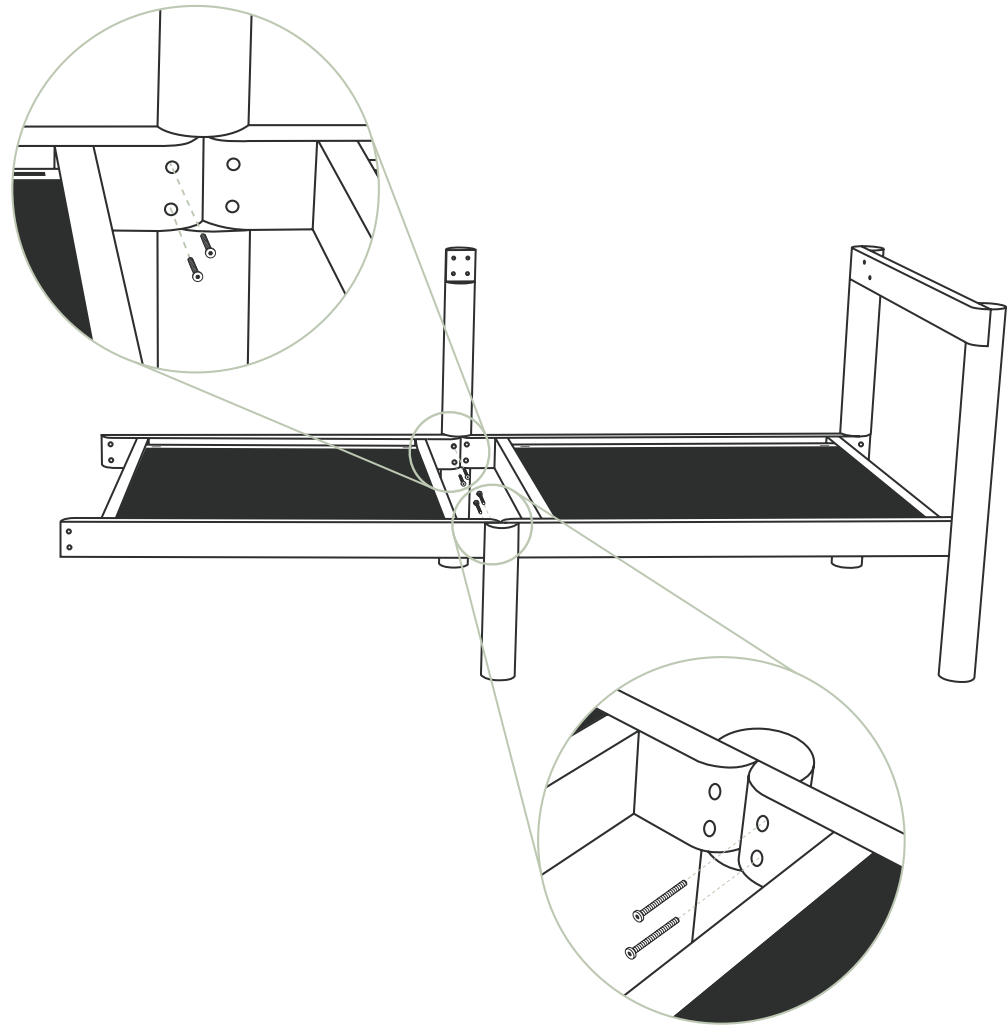
Gently slide small base into the slotted sections on the Right Arm Module's large and small legs. Slide base until its pre-drilled holes align with the threaded holes on the legs.



## 6

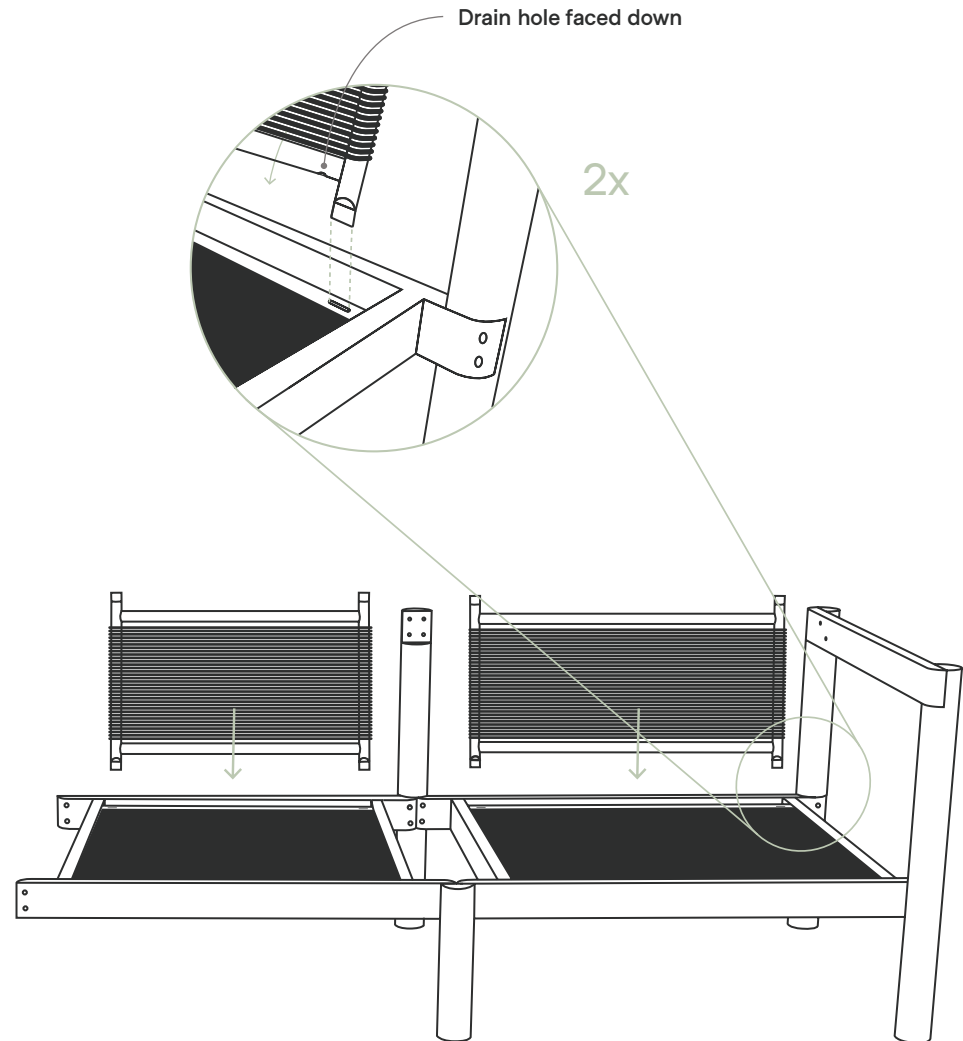
## Fasten large and small bases

After holes on the bases are aligned with the corresponding threaded holes on each leg, use the Allen wrench to fasten them together with two hex bolts per side.



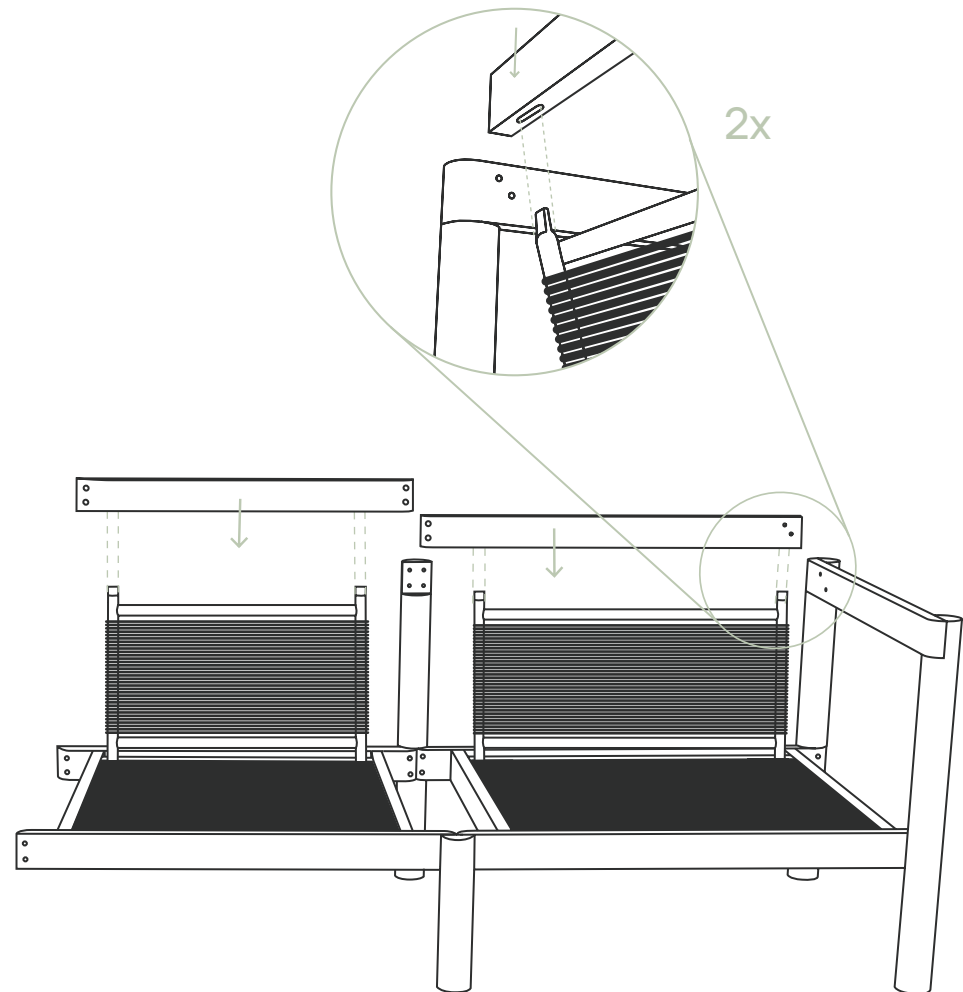
# 7 Secure roped backs to large and small bases

Insert the lower brackets of the corresponding roped back components into the slots of each base. The Right Arm Module (large base) will require the large roped back and the Armless Module (small base) will require the small roped back.



## 8 Attach back supports to roped backs

Lower each back support onto the roped backs. The Right Arm Module (large base) will require the right arm back support and the Armless Module (small base) will require the small back support. Align slots underneath each back support with the corresponding roped back's top bracket. Then insert bracket into the slot.

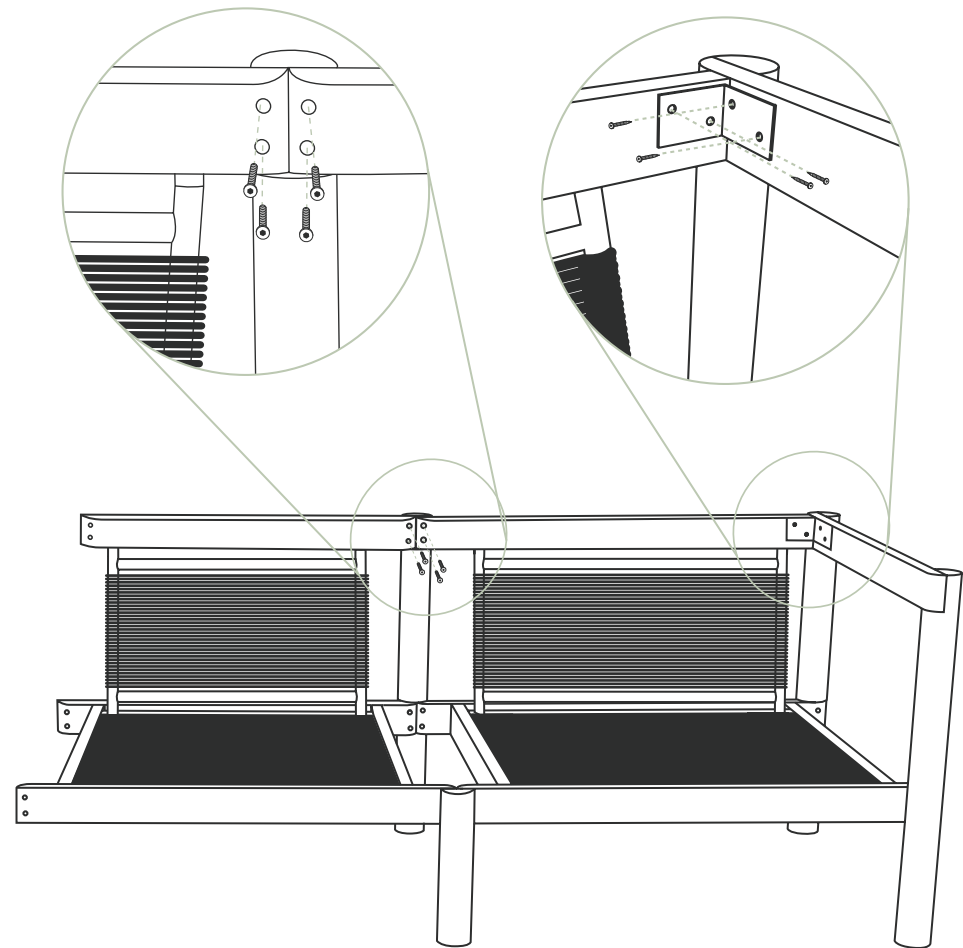




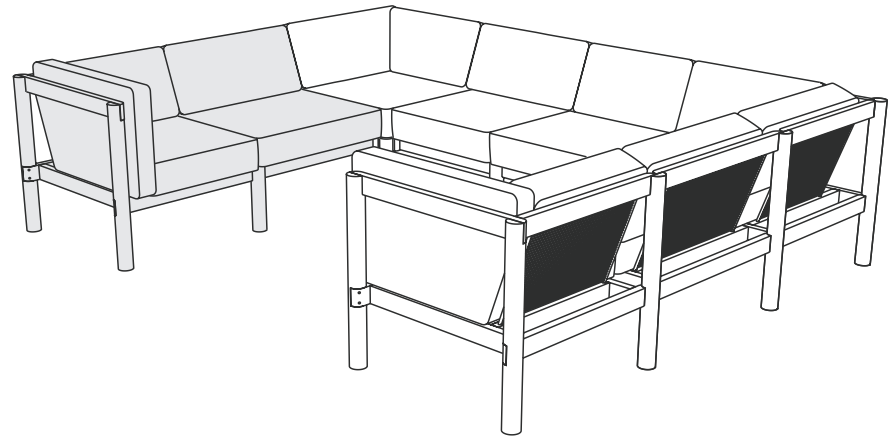
## 9 Fasten left arm back support to arm and large leg

With your Allen wrench, gently fasten right arm back support onto large leg with two hex bolts. Repeat with adjoining side of small back support.

Next, align the pre-drilled holes on the right arm with the holes on the L-bracket. Then, with a Phillips Head screwdriver, gently secure right arm component and right arm back support with four screws.

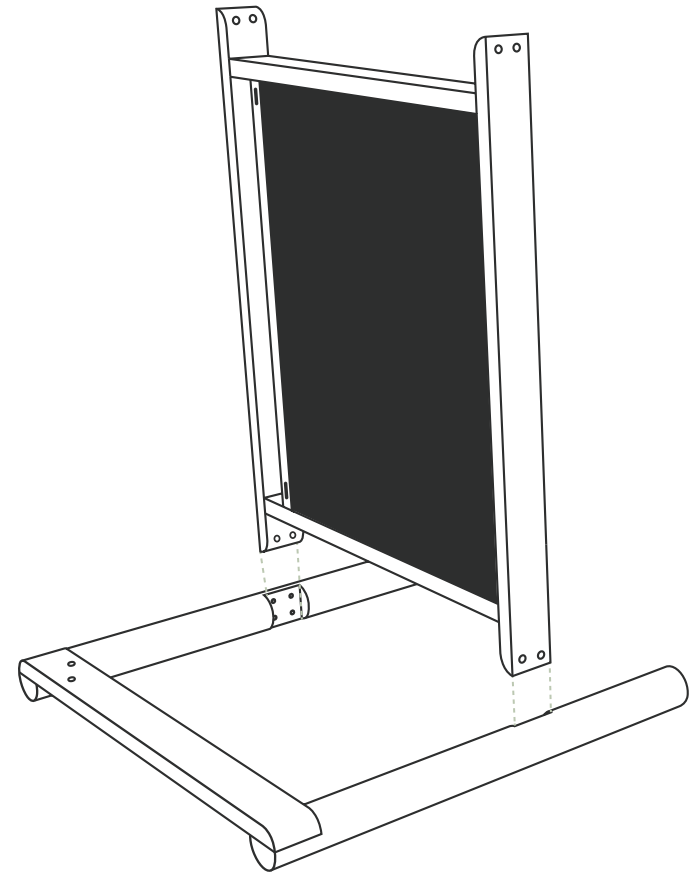


# Left Arm/ Armless



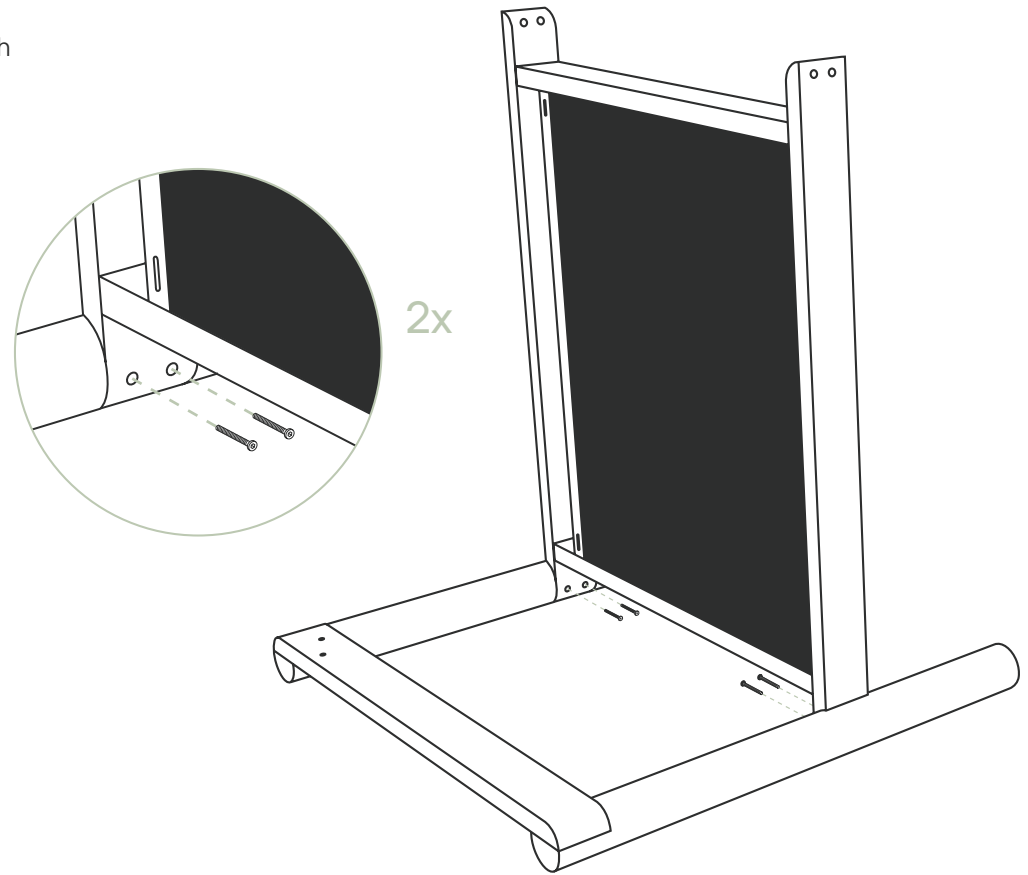
# 1 Connect large base to left arm

Place the left arm component on a soft surface, verifying that the two screw holes are facing upward. Gently insert the long base into the arm's inner slots.



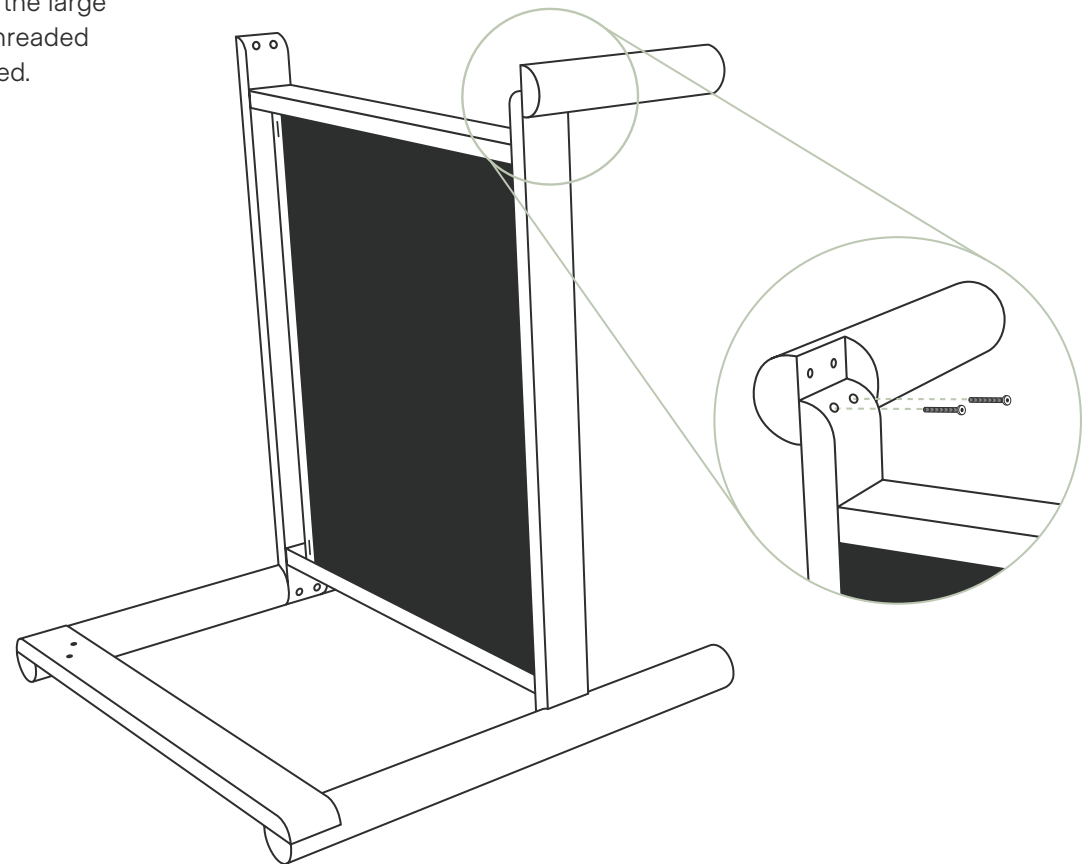
## 2 Fasten large base to left arm

Using the Allen wrench, fasten the large base to both legs of the left arm component with four hex bolts.



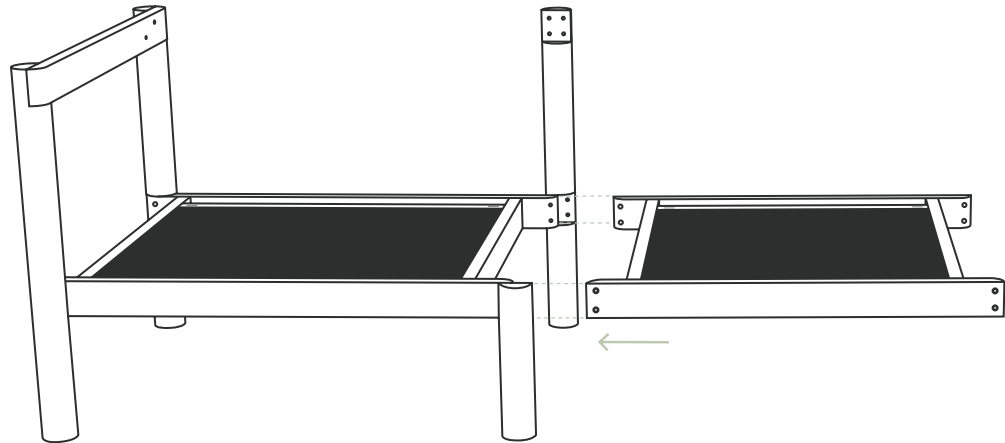
# 3 Fasten small leg to large base

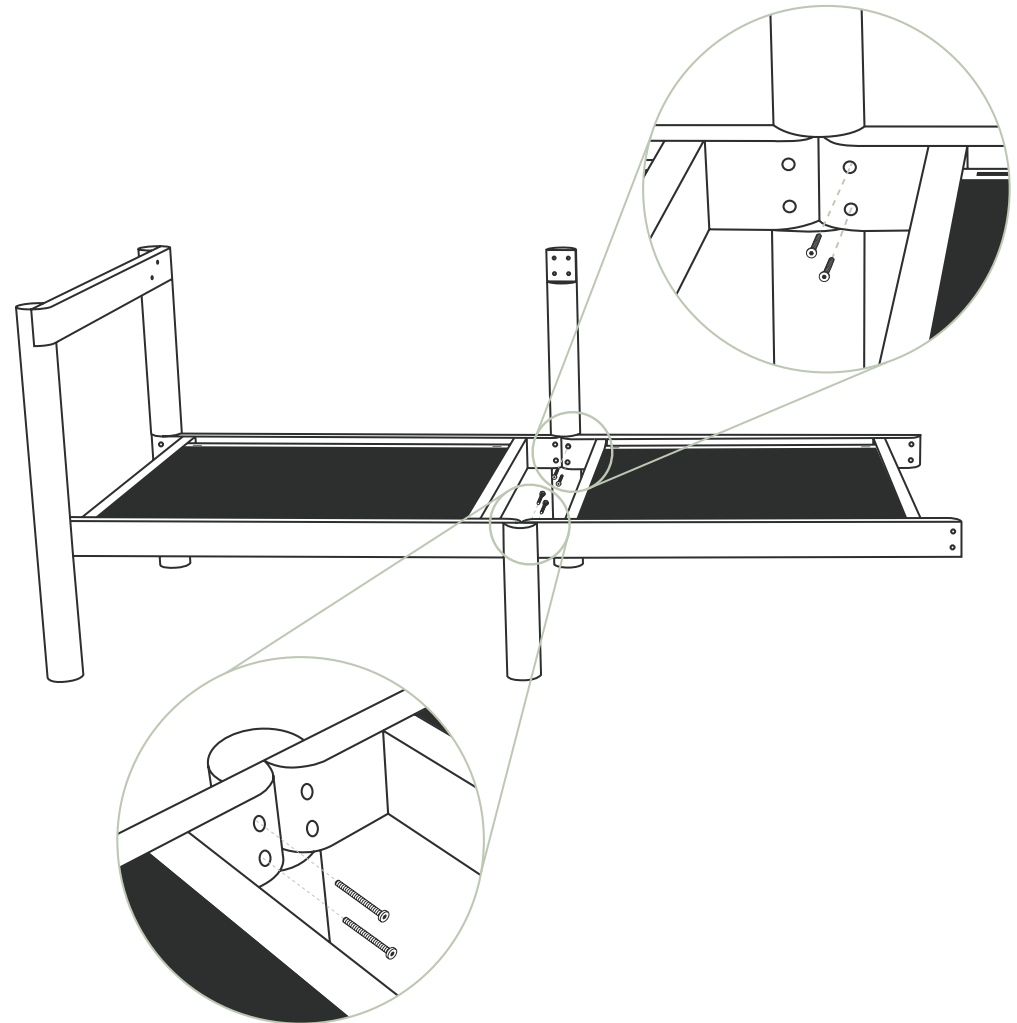
Using the Allen wrench, fasten the small leg to the large base with two hex bolts. Be sure to leave two threaded holes on the small leg exposed as demonstrated.



# 5 Connect large and small bases

Gently slide small base into the slotted sections on the Left Arm Module's large and small legs. Slide base until its pre-drilled holes align with the threaded holes on the legs.





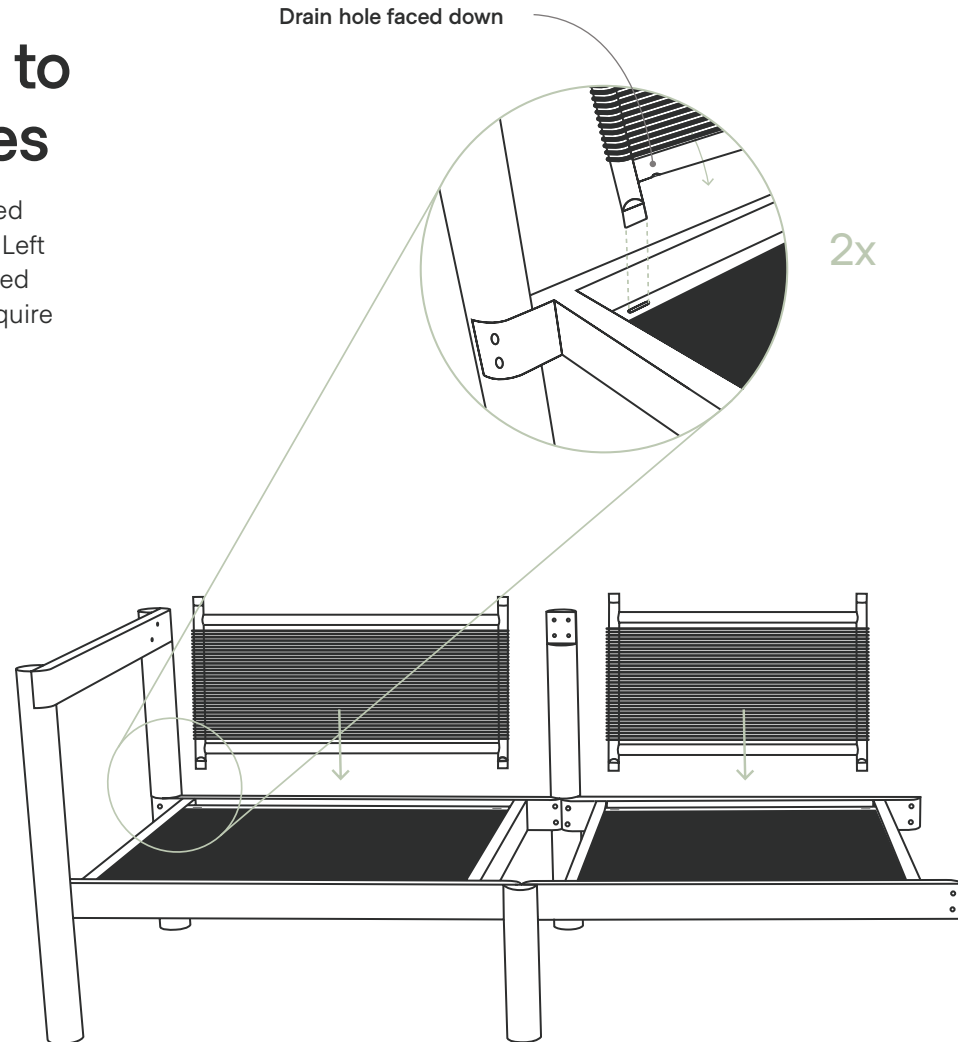
# 6

## Fasten large and small bases

After holes on the bases are aligned with the corresponding threaded holes on each leg, use the Allen wrench to fasten them together with two hex bolts per side.

## 7 Secure roped backs to large and small bases

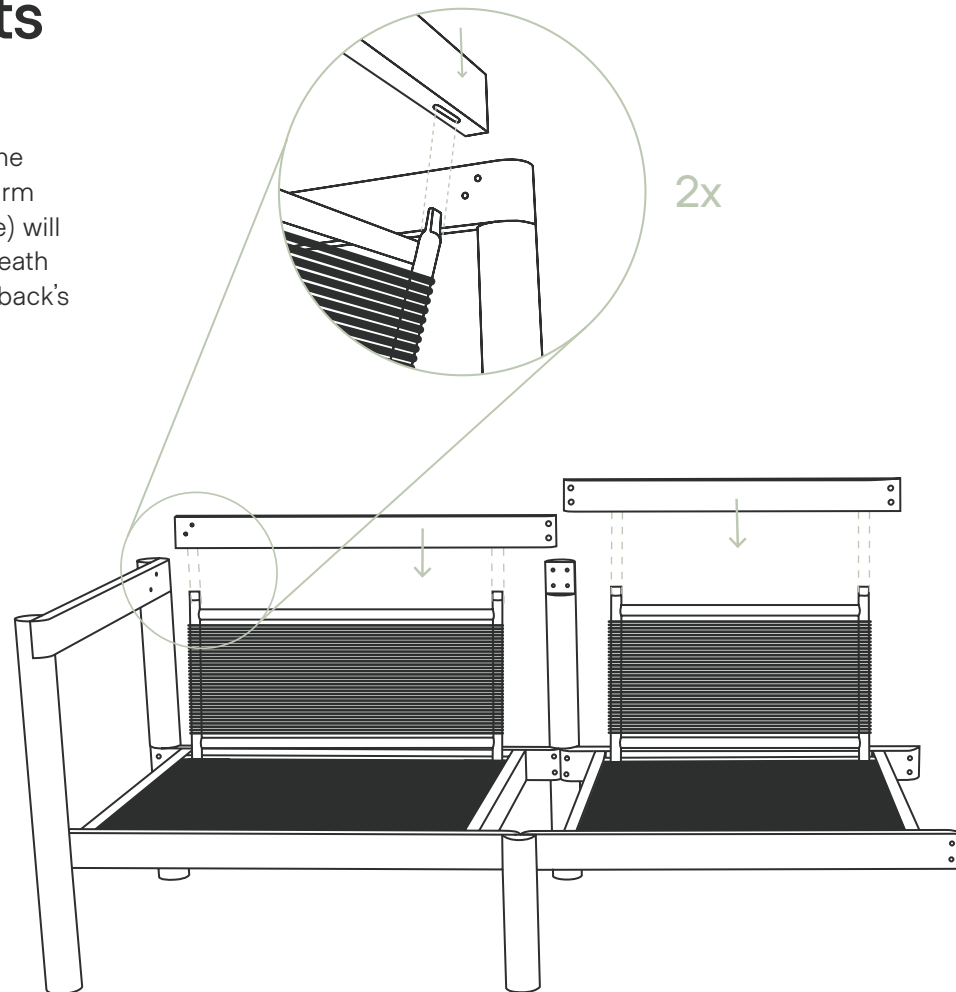
Insert the lower brackets of the corresponding roped back components into the slots of each base. The Left Arm Module (large base) will require the large roped back and the Armless Module (small base) will require the small roped back.





## 8 Attach back supports to roped backs

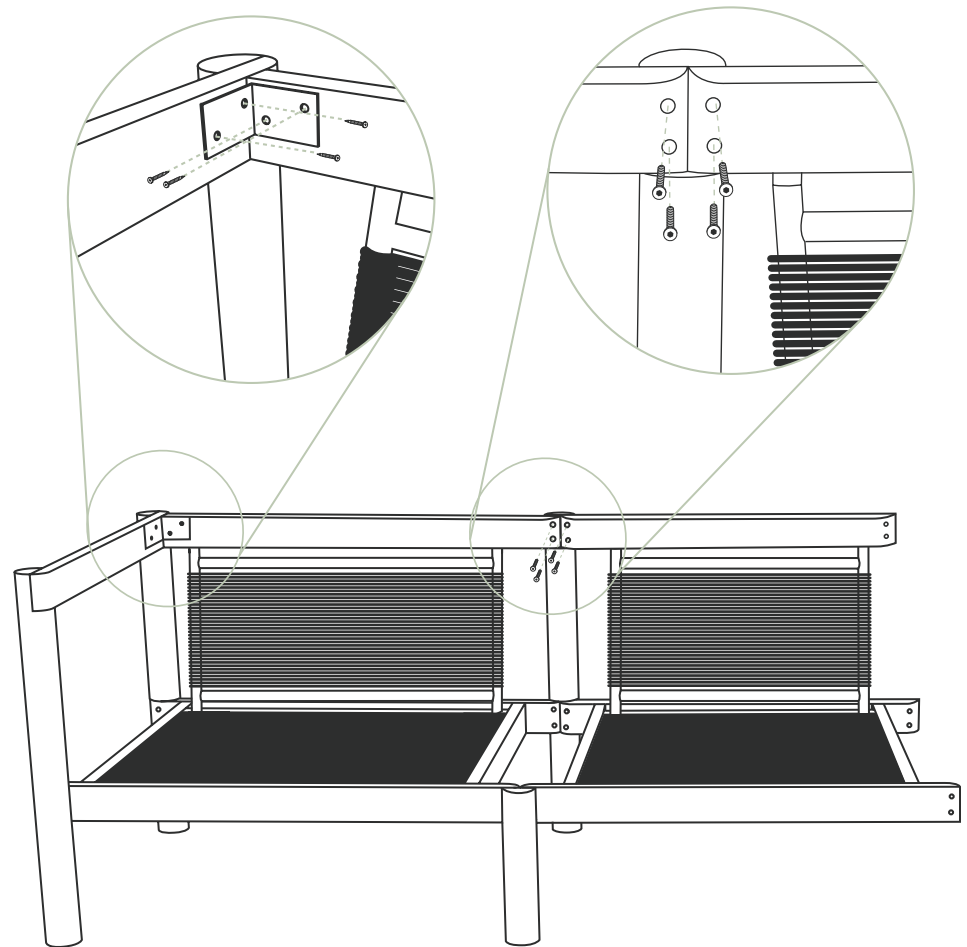
Lower each back support onto the roped backs. The Left Arm Module (large base) will require the left arm back support and the Armless Module (small base) will require the small back support. Align slots underneath each back support with the corresponding roped back's top bracket. Then insert bracket into the slot.



## 9 Fasten left arm back support to arm and large leg

With your Allen wrench, gently fasten left arm back support onto large leg with two hex bolts. Repeat with adjoining side of small back support.

Next, align the pre-drilled holes on the left arm with the holes on the L-bracket. Then, with a Phillips Head screwdriver, gently secure left arm component and left arm back support with four screws.



# Contact

Have a question, comment, feedback?  
We love hearing from customers.

support@hineighbor.com  
hineighbor.com

*neighbor*