

The 5-Piece Symmetrical Sectional

Assembly Guide

BOXES NEEDED:

- | | |
|----------------------------|-------------------------------|
| (1) Left Arm Module Frame | (1) Left Arm Module Cushions |
| (1) Right Arm Module Frame | (1) Right Arm Module Cushions |
| (2) Armless Module Frame | (2) Armless Module Cushions |
| (1) Corner Module Frame | (1) Corner Module Cushions |

neighbor

Parts



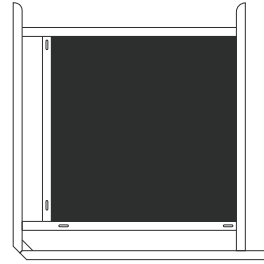
2X Long Base

Left Arm Module Frame Box
Right Arm Module Frame Box



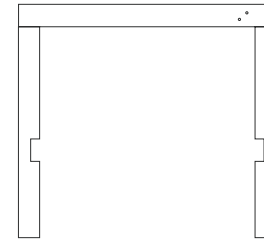
2X Short Base

Armless Module Frame Box



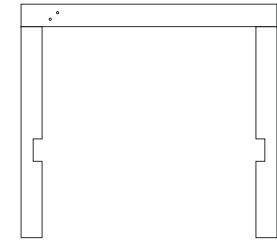
1X Corner Base

Corner Module Frame Box



1X Left Arm

Left Arm Module Frame Box



1X Right Arm

Right Arm Module Frame Box



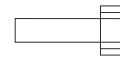
2X Large Roped Back

Left Arm Module Frame Box
Right Arm Module Frame Box



4X Small Roped Back

Armless Module Frame Box (2)
Corner Module Frame Box (2)



1X Corner Block Leg

Corner Module Frame Box



1X Left Arm Module Back Support

Left Arm Module Frame Box



1X Right Arm Module Back Support

Right Arm Module Frame Box



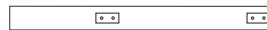
2X Armless Module Back Support

Armless Module Frame Box



4X Large Leg

Right Arm Module Frame Box (1)
Corner Module Frame Box (1)
Armless Module Frame Box (2)



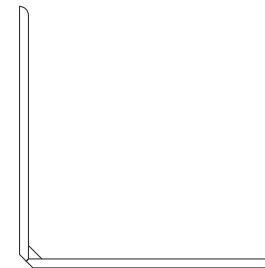
1X Corner Leg

Corner Module Frame Box



4X Small Leg

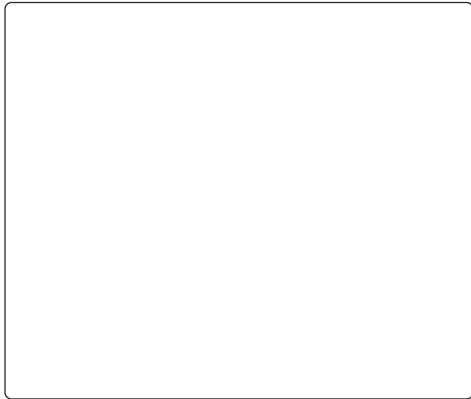
Right Arm Module Frame Box (1)
Armless Module Frame Box (2)
Corner Module Frame Box (1)



1X Corner Module Back Support

Corner Module Frame Box

Cushions



4X Base Cushion

All Cushion Boxes



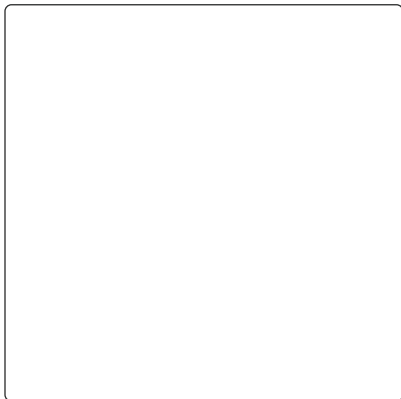
4X Back Cushion

Left Arm Module Cushion Box (1)
Right Arm Module Cushion Box (1)
Armless Module Cushion Box (2)



2X Arm Cushion

Left Arm Module Cushion Box
Right Arm Module Cushion Box



1X Corner Base Cushion

Corner Module Cushion Box



1X Large Corner Back Cushion

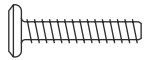
Corner Module Cushion Box



1X Small Corner Back Cushion

Corner Module Cushion Box

Hardware



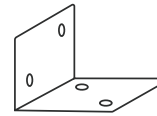
64X Hex Bolt
All Frame Boxes



4X Long Hex Bolt
Corner Module Frame Box



8X Screw
Left Arm Module Frame Box
Right Arm Module Frame Box

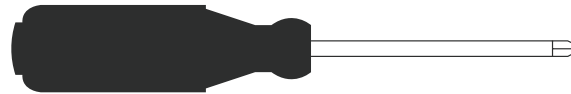


2X L-Bracket
Left Arm Module Frame Box
Right Arm Module Frame Box

Tools



1X Allen Wrench
All Frame Boxes



Phillips Head Screwdriver
*Not included

Assembly Tips

Exercise caution while lifting

Two-person lift is recommended. Both the boxes and the product itself are large and heavy and awkward to lift alone.

Lay everything out before you begin

Spreading out all of the components prior to assembling them will help you find the parts you are looking for and will make for a faster and easier assembly process!

Assemble on a soft surface

We recommend assembling your furniture on a soft surface such as a rug(s) or a towel(s). The wood frame can scratch easily if accidentally rubbed against harsh textures like brick or concrete.

Loose first, then tight

Do not fully tighten hex bolts when assembling. Insert them loosely first. After the modules are fully assembled, then tighten the bolts firmly. Differing humidity levels can slightly affect how the pieces fit together and this strategy should alleviate that.

Product Care

Caring for teak

Unfinished teak will gradually change color from a honey gold to a silver-grey patina. We encourage allowing the teak to turn color naturally and cleaning it annually or bi-annually. As for cleaning, we recommend Golden Teak Cleaner, which is specifically designed to kill mould and mildew spores inside teak.

Avoid prolonging mildew growth. If left in the shade for extended periods of time, this can be common.

Covering your furniture for extended periods of time, especially if enduring consistent inclement weather will greatly prolong the lifespan of the wood.

Caring for cushion cover fabric

One of the best ways to keep your Sunbrella fabric looking good is to brush off dirt before it becomes embedded in the fabrics and wipe up spills or clean soon after a stain occurs. The quicker you clean spills and stains, the easier they can be to remove.

When removing stains, typically these are the steps you should try:

- Blot (don't rub) liquid spills with a clean, dry cloth. For oil-based spills, apply an absorbent such as corn starch, then remove with a straight edge.

- Spray on a mild cleaning solution of soap (such as Woolite® or Dawn®) and water.
- Rinse the fabric thoroughly to remove all soap residue.
- Air dry.

Avoid scrubbing, hard bristle brushes or any other abrasive cleaning method.

Sunbrella should only be allowed to air dry.

Protect the area around your Sunbrella fabric when using bleach or other chemical solvents that may discolor non-Sunbrella fabrics. Always rinse Sunbrella thoroughly.

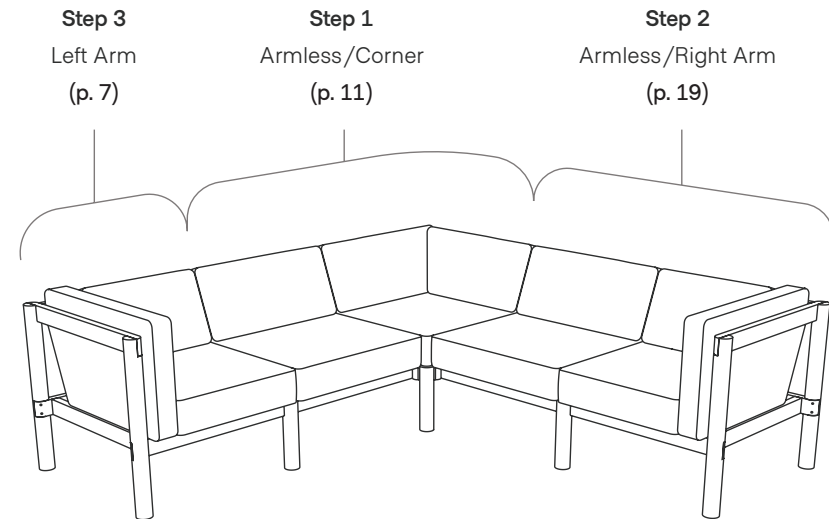
Bleach can have harmful effects on the natural environment around you. Please follow all safety and environmental precautions according to the bleach label.

If fabric has some wrinkling, use an iron on the synthetic setting. As iron temperatures may vary, first test a small inconspicuous area before ironing the entire piece.

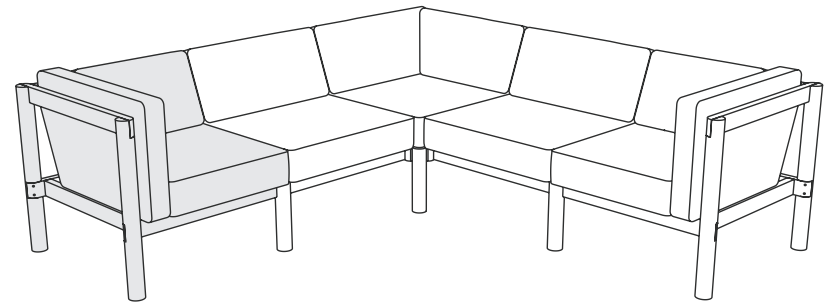
DO NOT use a steamer or an iron set to the steam setting.

Building your sectional

Your 5-Piece Symmetrical Sectional can be assembled in sections. Start by first assembling the armless/corner section, then work outward to the arm components.



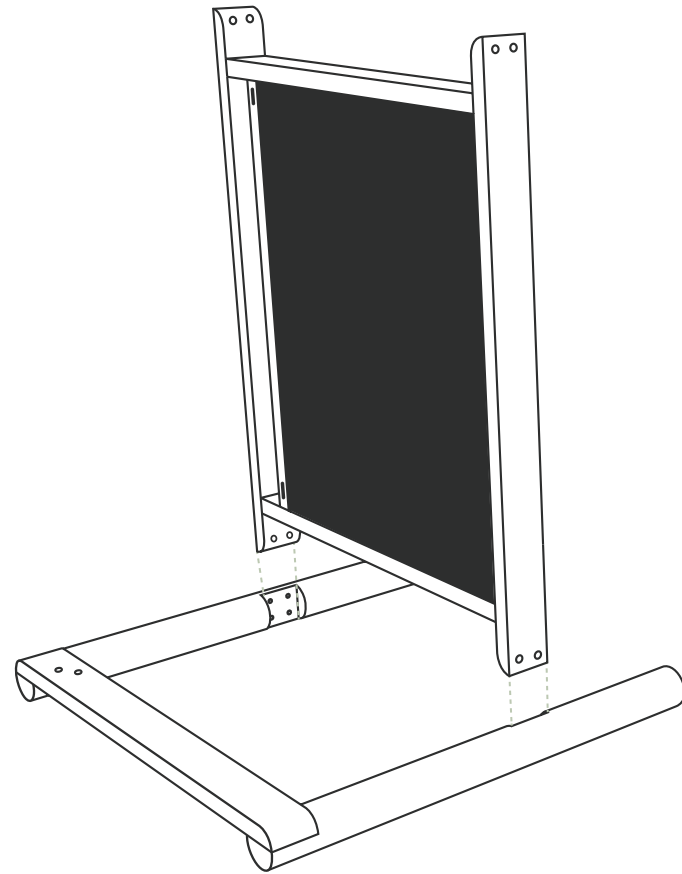
Left Arm



1

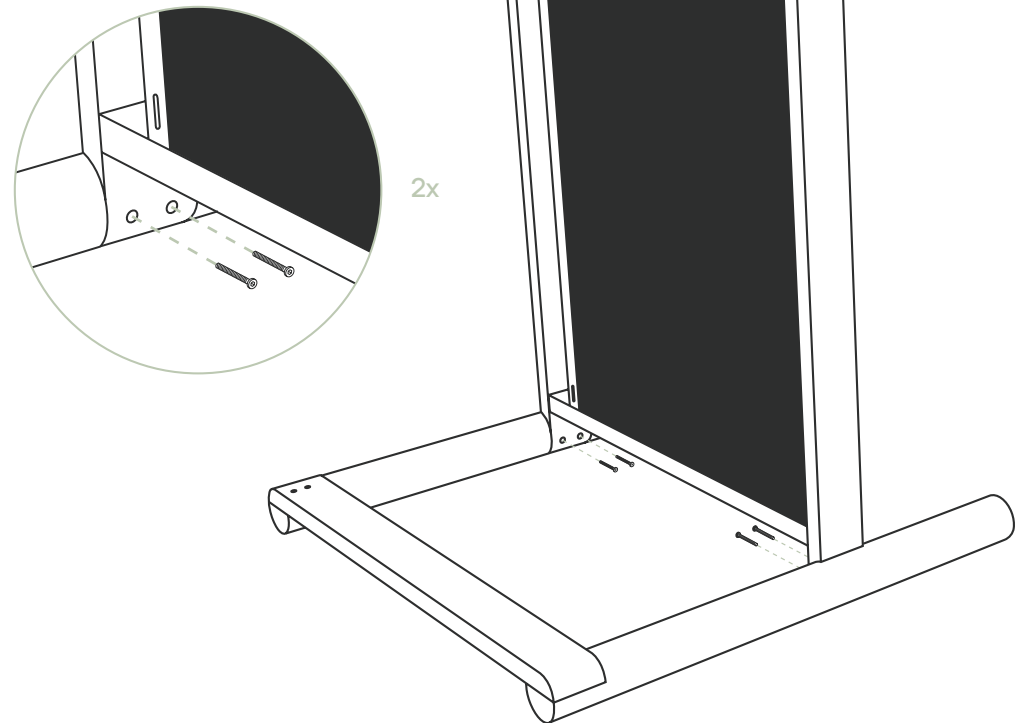
Connect large base to left arm

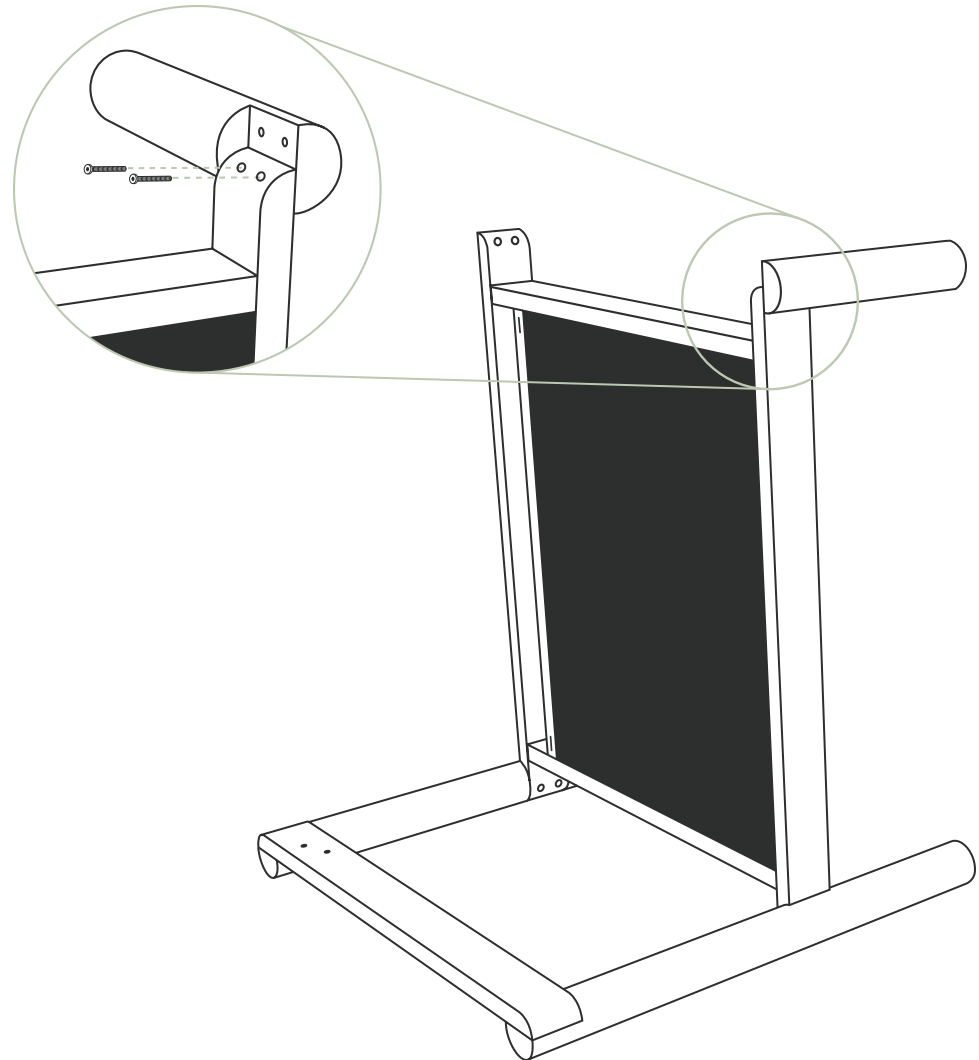
Place the left arm component on a soft surface, verifying that the two screw holes inside the arm are facing upward. Gently insert the long base into the arm's inner slots located on the inside of the two leg components.



2 Fasten large base to left arm

Using the Allen wrench, fasten the large base to both leg components with four hex bolts.

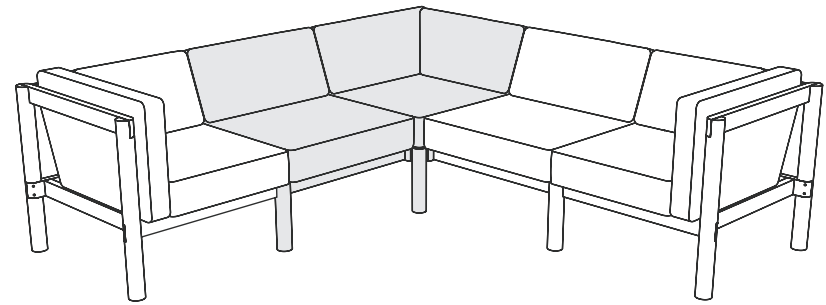




3 Fasten small leg to large base

Using the Allen wrench, fasten the small leg to the large base with two hex bolts. Be sure to leave two threaded holes on the small leg exposed as demonstrated.

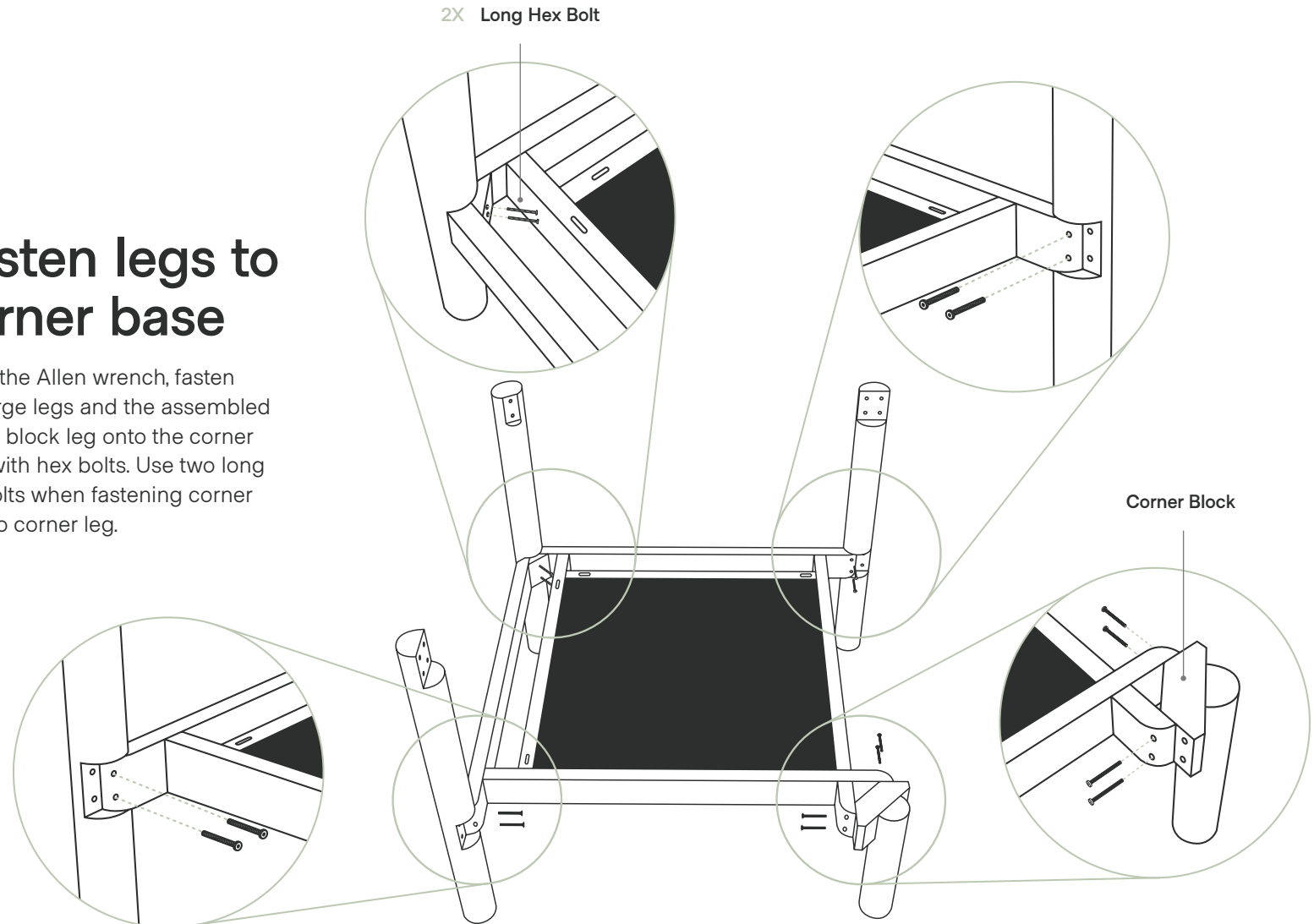
Armless/ Corner



1

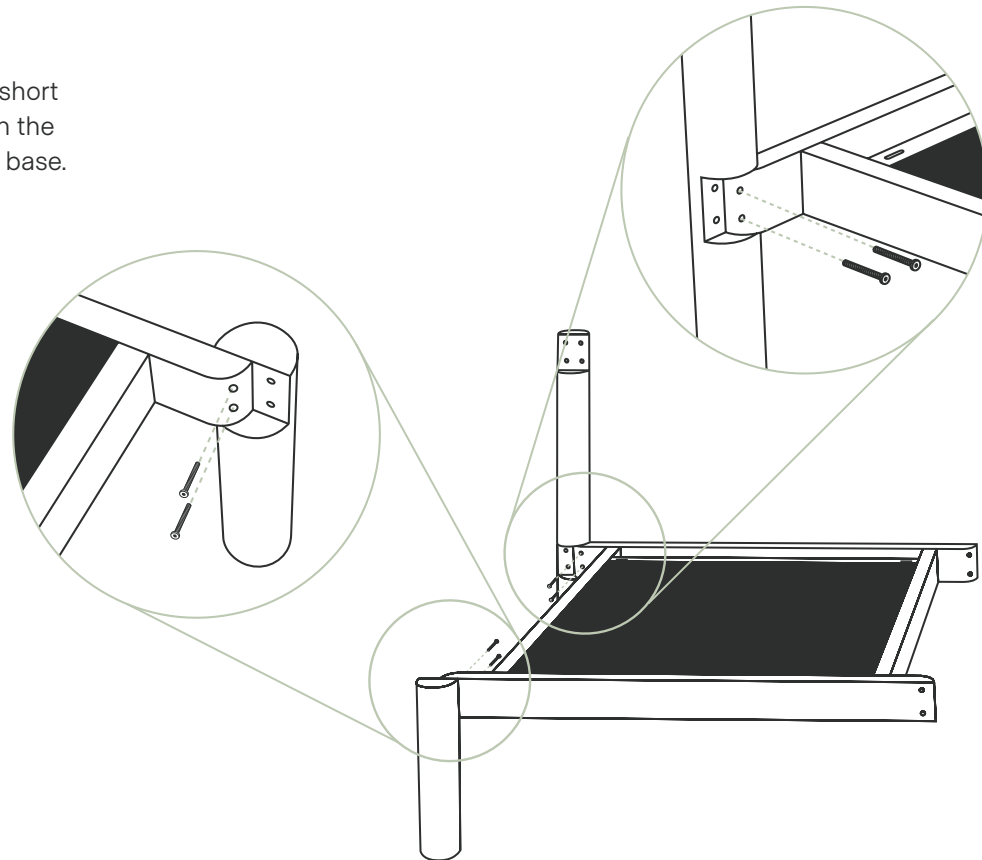
Fasten legs to corner base

Using the Allen wrench, fasten two large legs and the assembled corner block leg onto the corner base with hex bolts. Use two long hex bolts when fastening corner base to corner leg.



2 Fasten legs to left side of short base

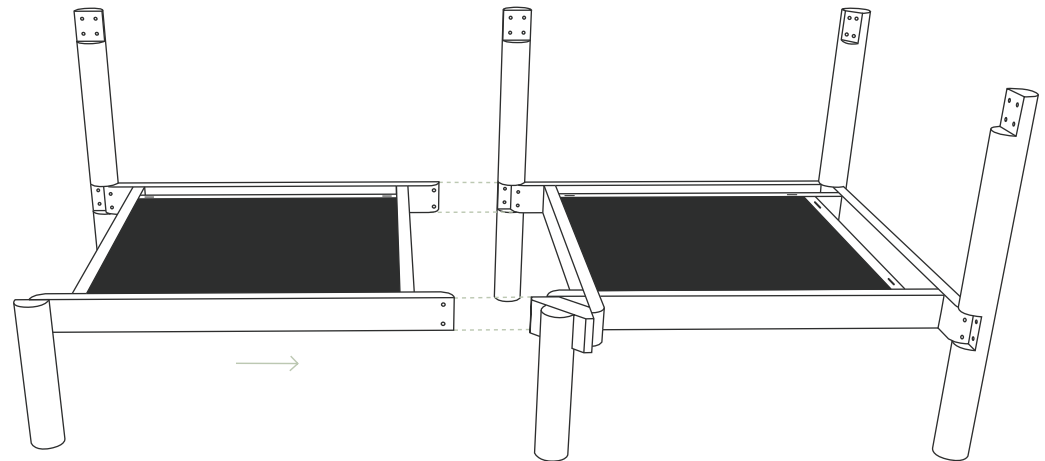
With the Allen wrench, thread two hex bolts through the holes in the front left side of the short base. Fasten to the short leg. Repeat this with the large leg on the back left corner of the small base.



3

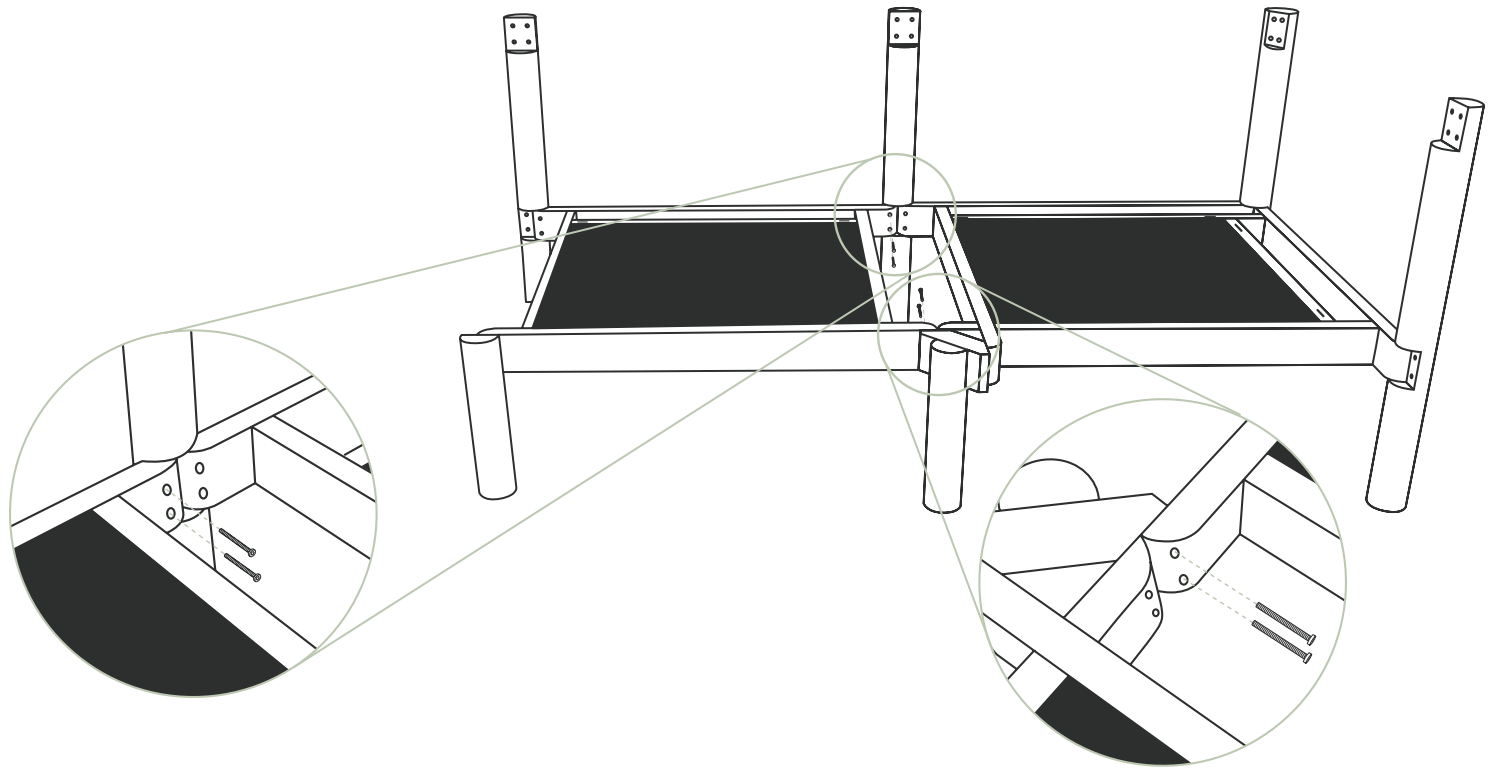
Connect small base with corner base

Gently slide small base into the grooves located on the large leg and corner block of the corner base. Align the holes located on the small base with the corresponding threaded holes on the corner base.



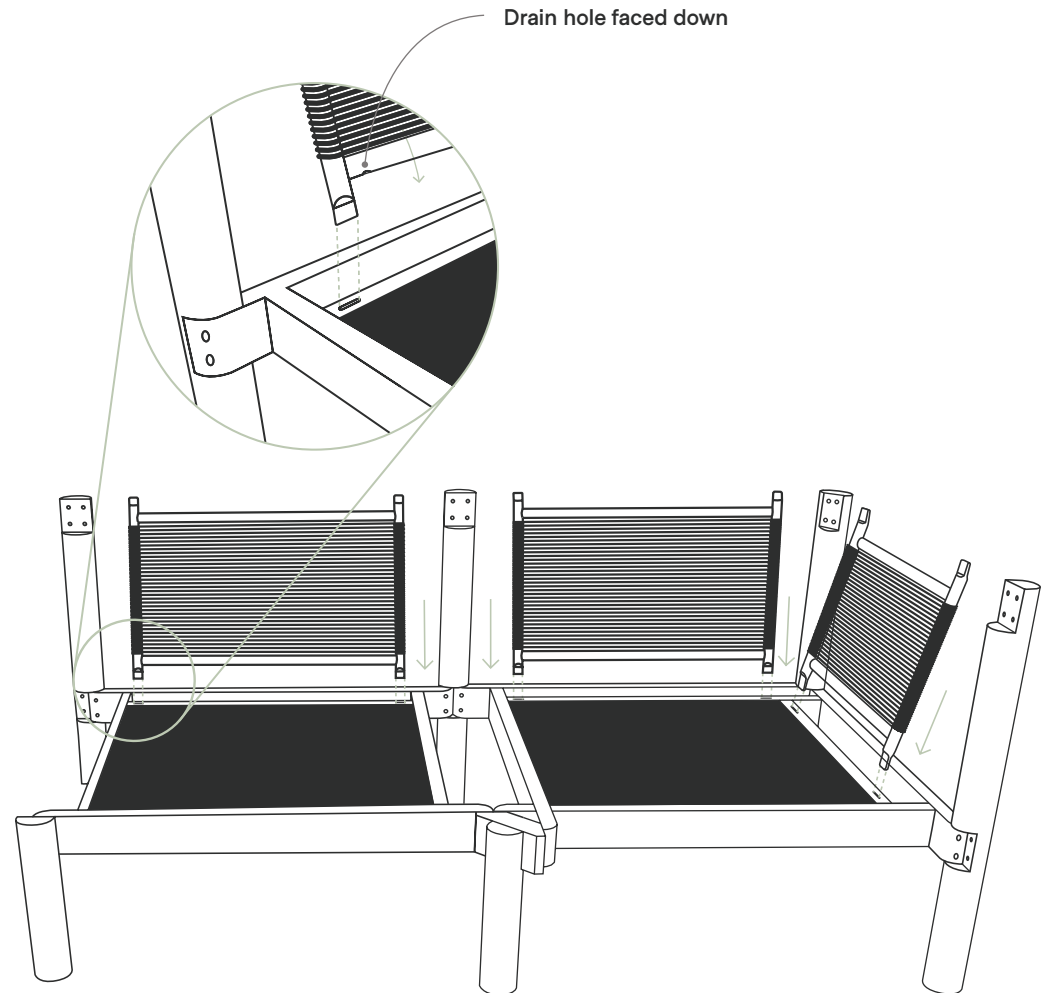
4 Fasten small base to corner base

Secure the two bases by inserting four bolts through the holes on the small base. With the Allen wrench, gently fasten them to the four threaded holes located on the corner base.



5 Secure roped backs to bases

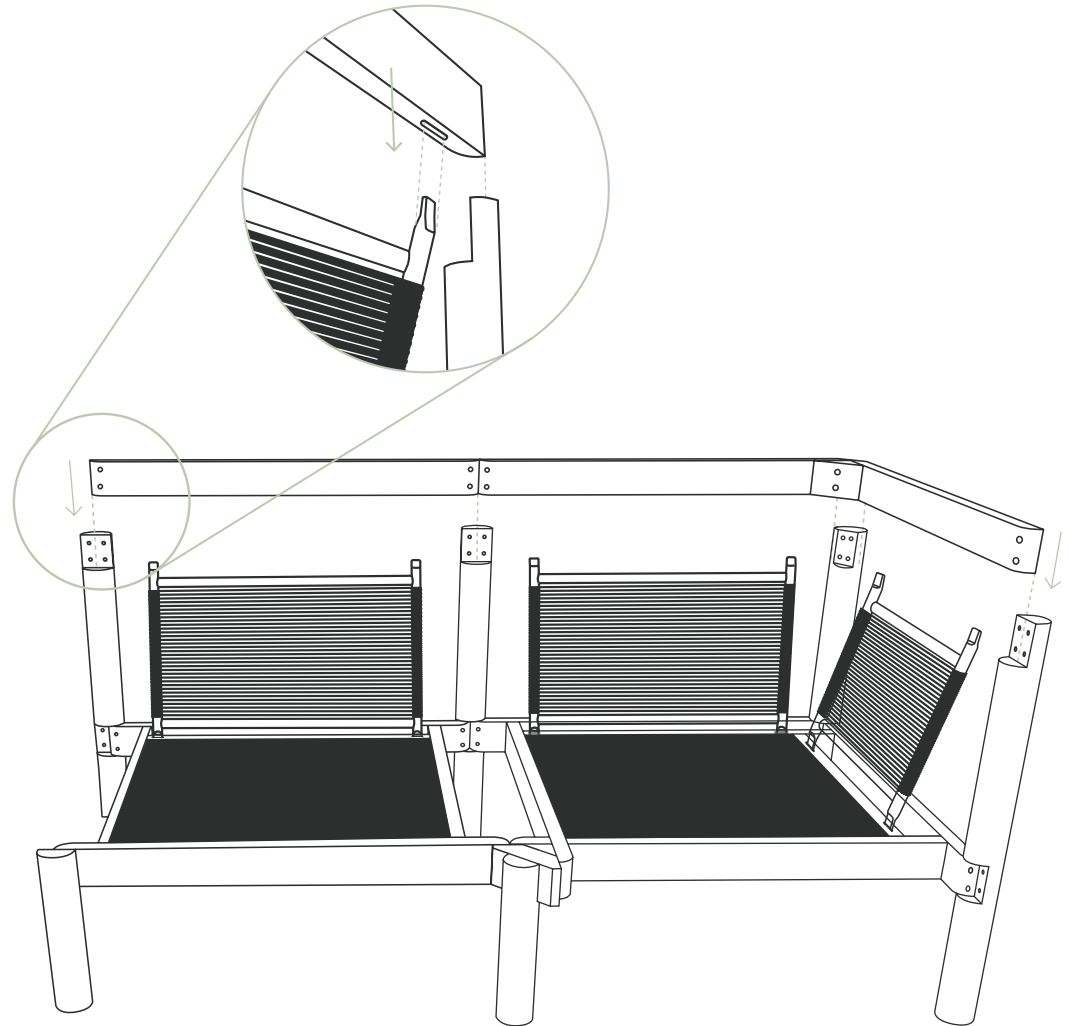
Insert the lower brackets of the small roped back components into the slots of the short and corner base.



6

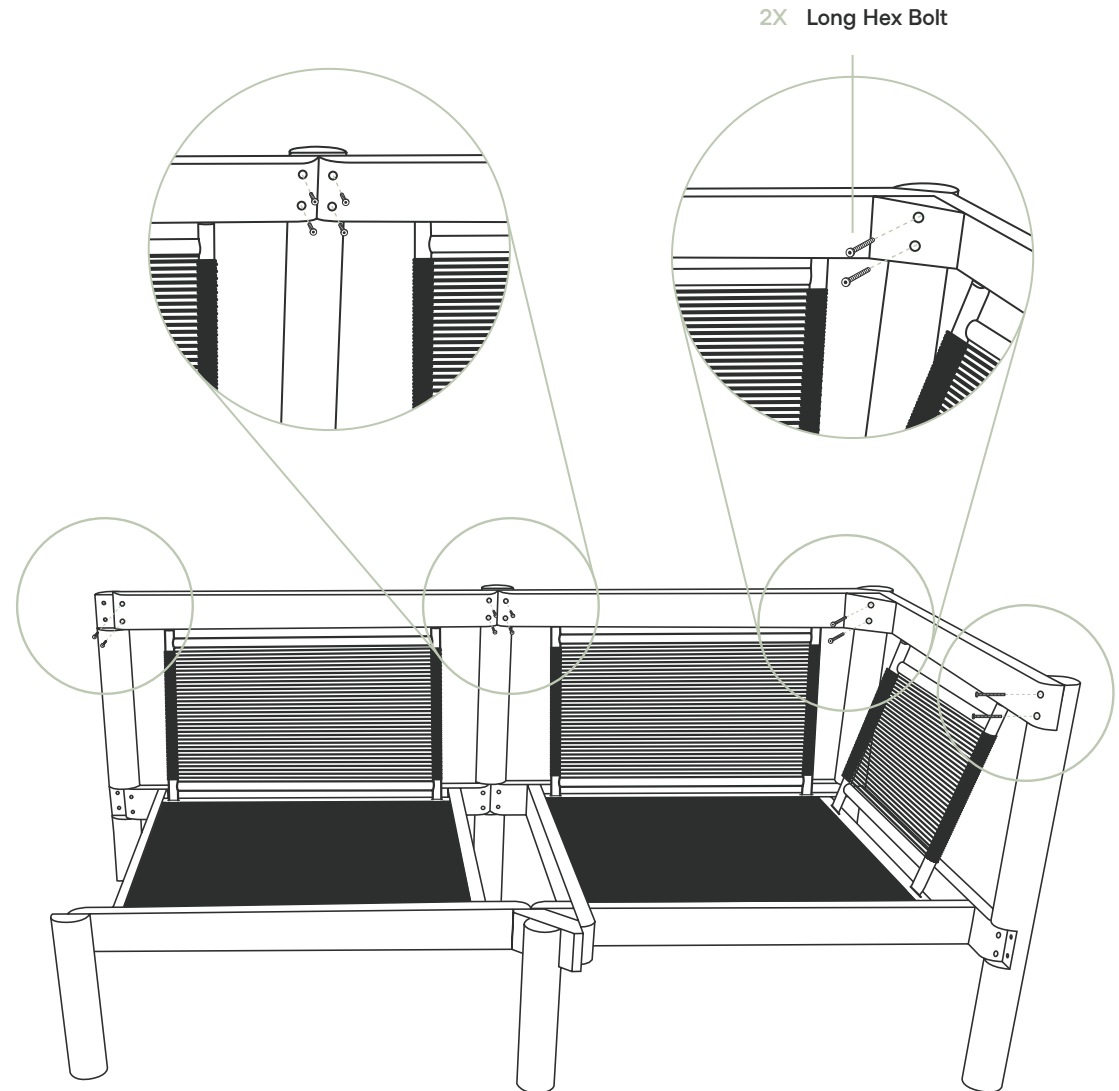
Attach back supports to roped backs

Insert armless module back support and corner module back support onto the top brackets located on roped backs by inserting them into corresponding slots underneath the back supports.

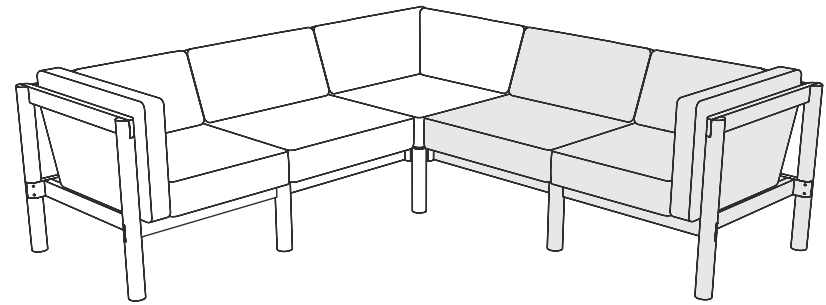


7 Fasten backs to large legs

With your Allen wrench, gently fasten armless back support and corner module back support onto the threaded holes on the top of the large legs with hex bolts. Use two long hex bolts in the back in the far corner of the corner module back support.

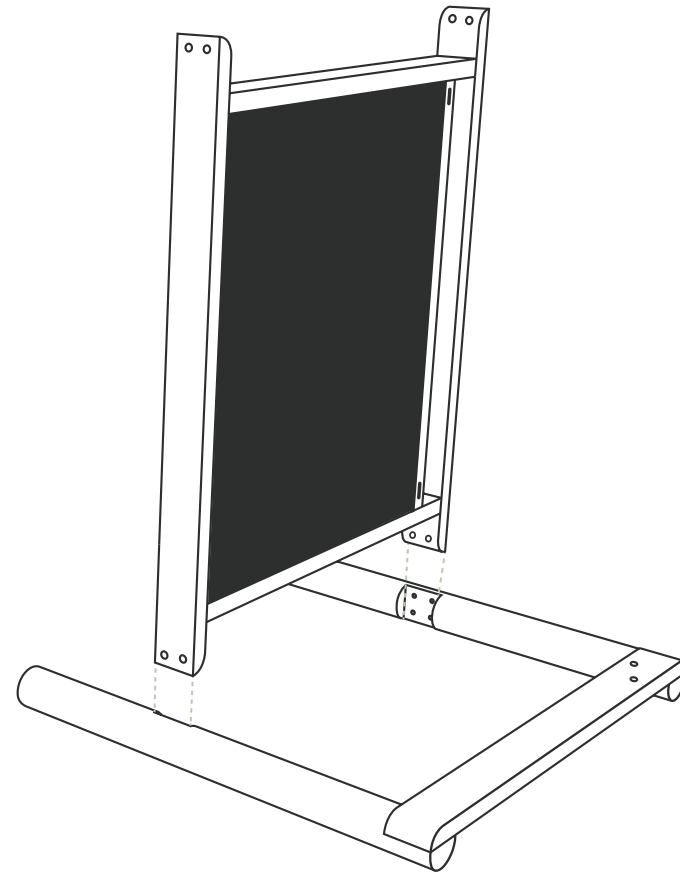


Armless/ Right Arm



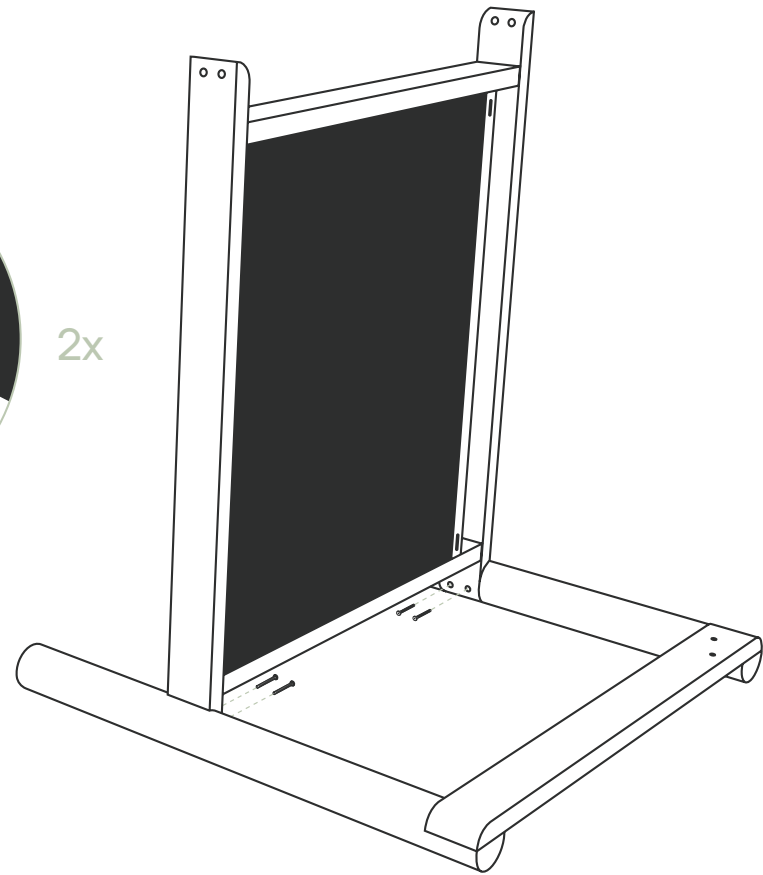
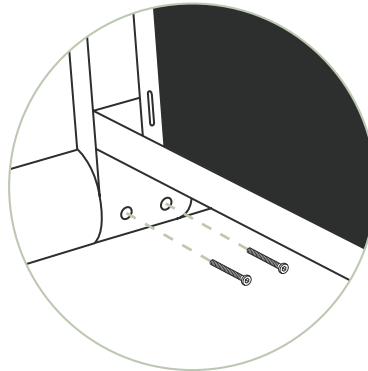
1 Connect large base to right arm

Place the right arm component on a soft surface, verifying that the two screw holes are facing upward. Gently insert the long base into the arm's inner slots.



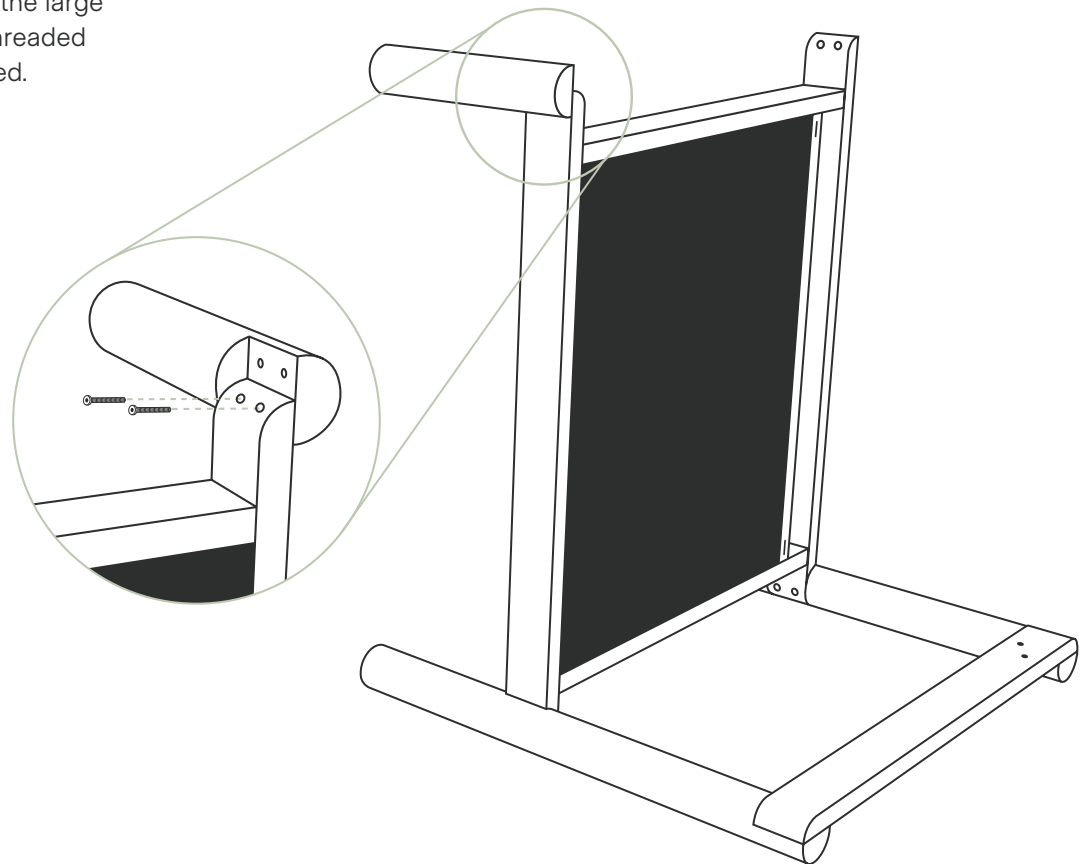
2 Fasten large base to right arm

Using the Allen wrench, fasten the large base to both legs of the right arm component with four hex bolts.



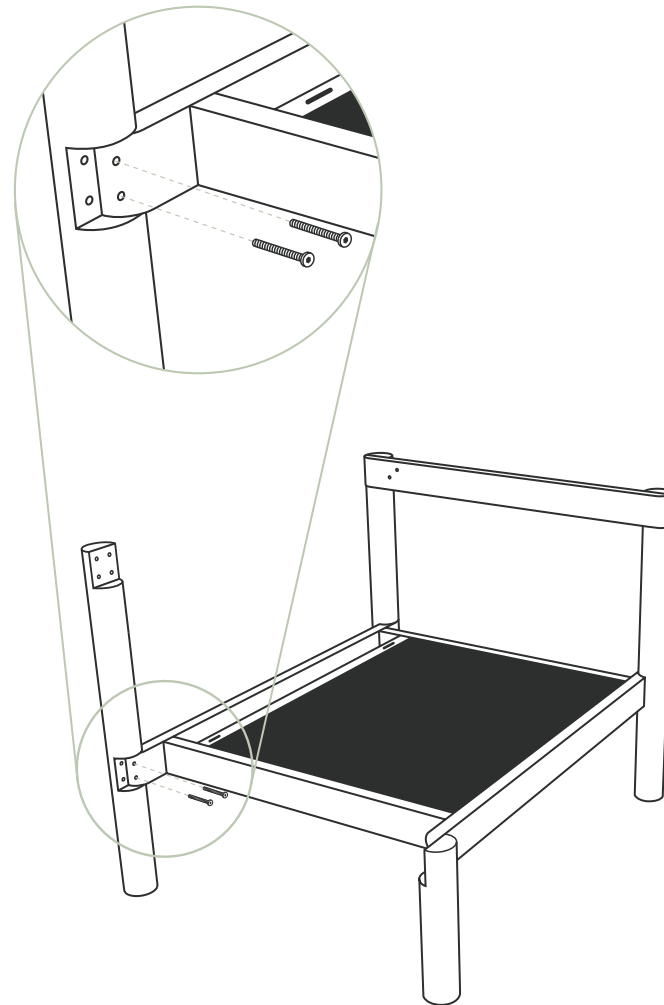
3 Fasten small leg to large base

Using the Allen wrench, fasten the small leg to the large base with two hex bolts. Be sure to leave two threaded holes on the small leg exposed as demonstrated.



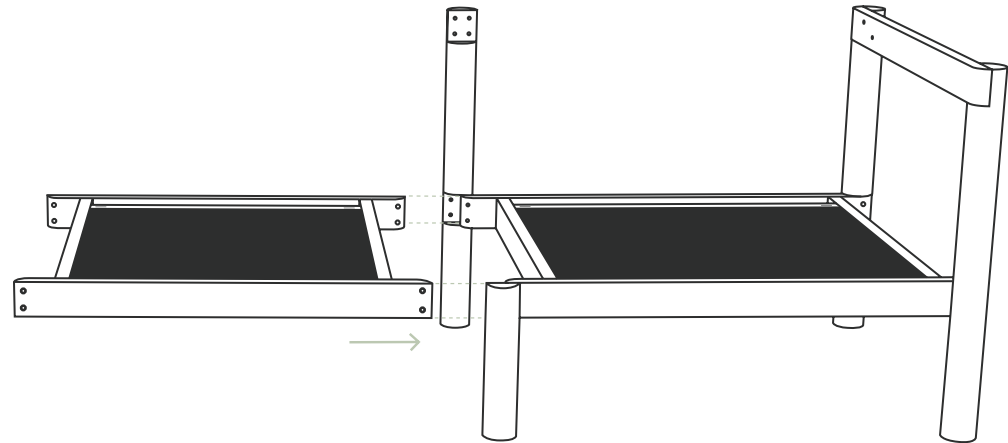
4 Fasten large leg to large base

Stand the base upright on its legs. Then, with the Allen wrench, fasten the large leg to the large base with two hex bolts. Be sure to leave two threaded holes on the large leg exposed as demonstrated.



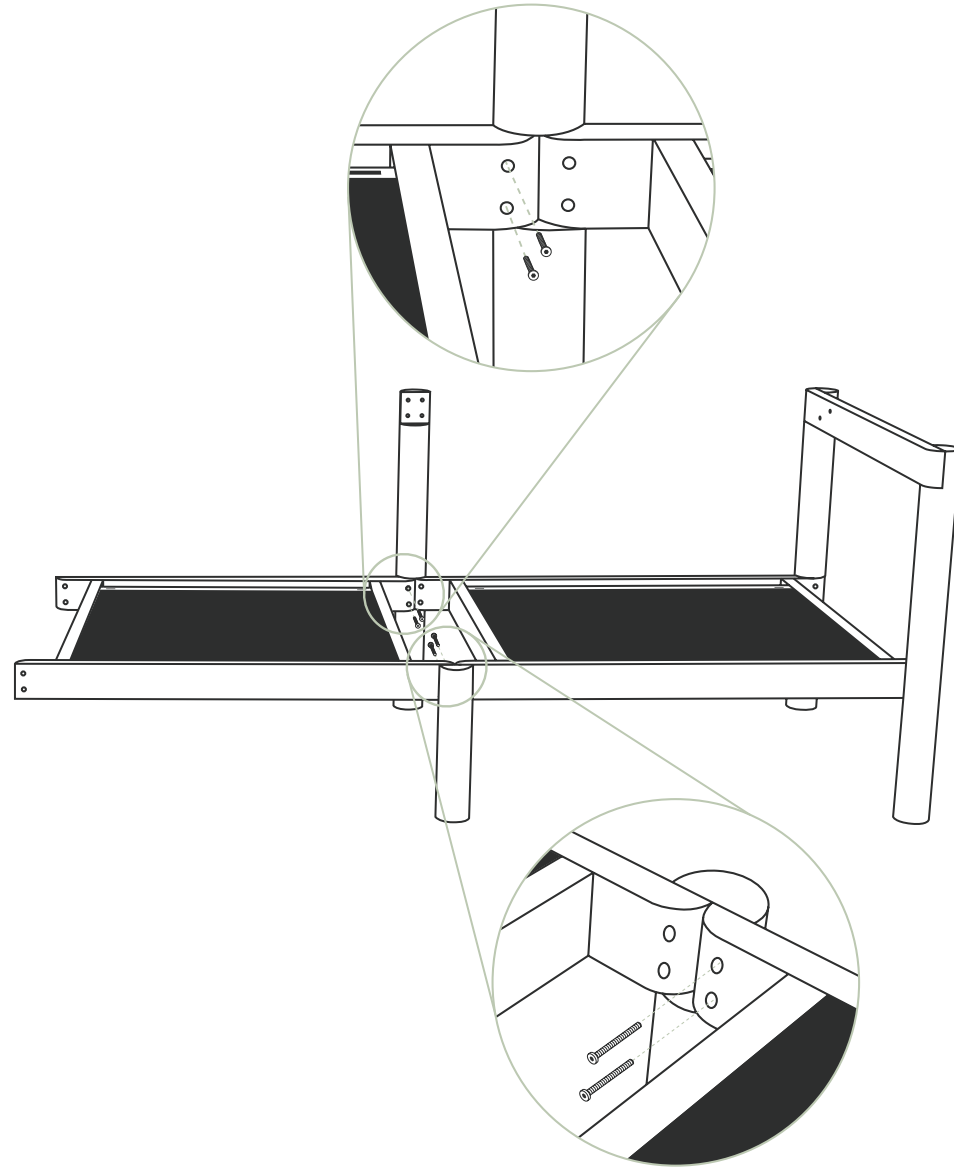
5 Connect large and small bases

Gently slide small base into the slotted sections on the Right Arm Module's large and small legs. Slide base until its pre-drilled holes align with the threaded holes on the legs.



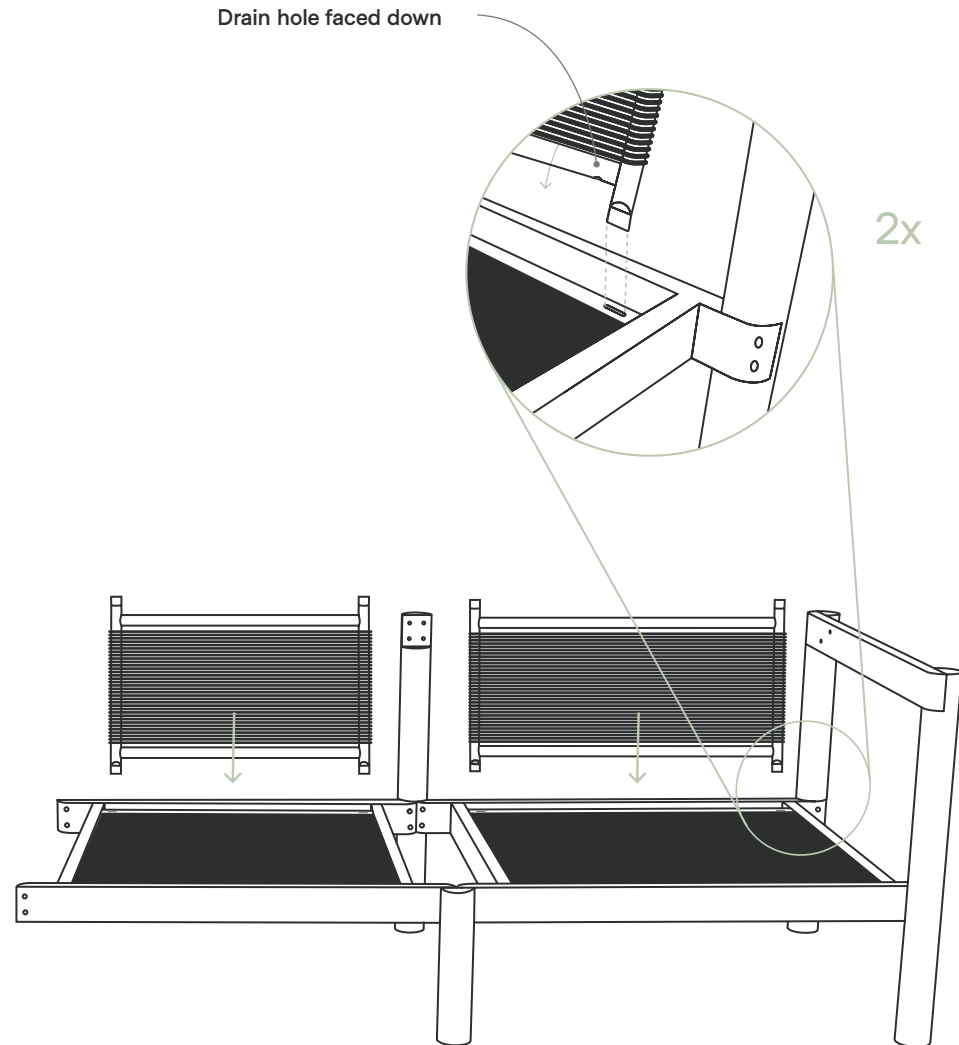
6 Fasten large and small bases

After holes on the bases are aligned with the corresponding threaded holes on each leg, use the Allen wrench to fasten them together with two hex bolts per side.



7 Secure roped backs to large and small bases

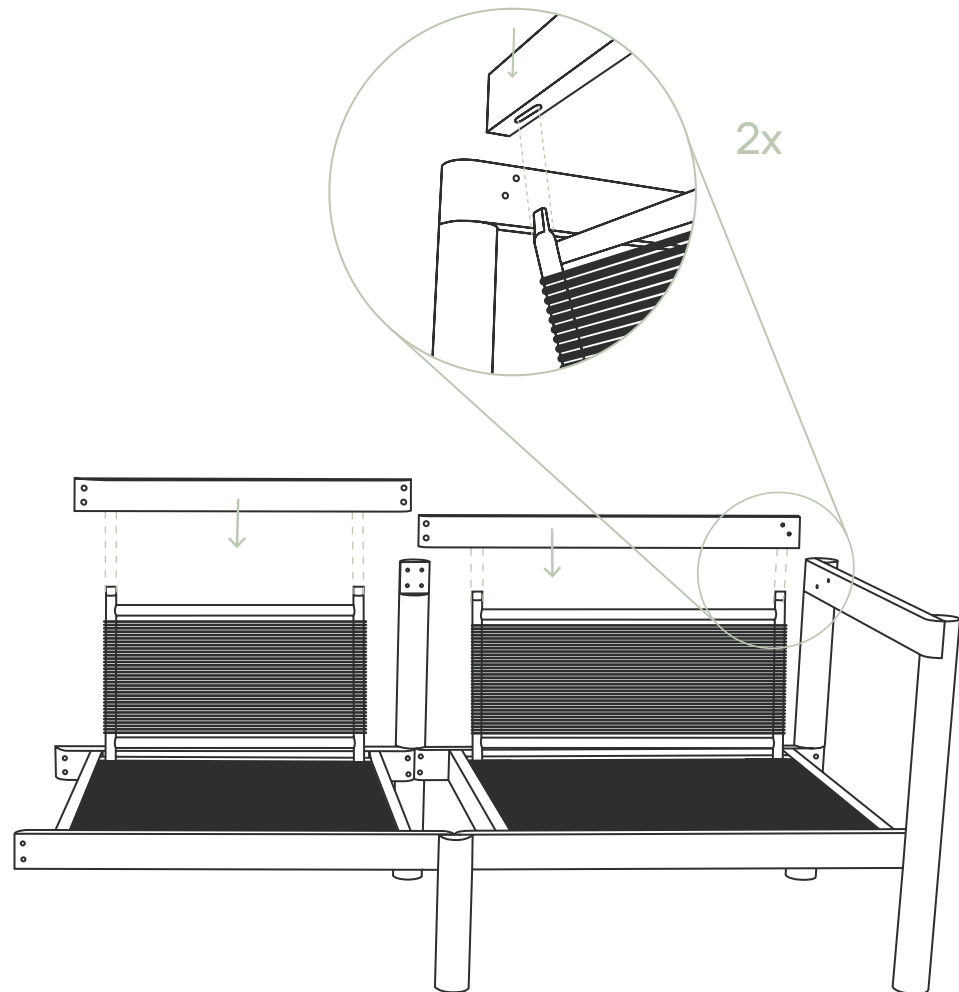
Insert the lower brackets of the corresponding roped back components into the slots of each base.



8

Attach back supports to roped backs

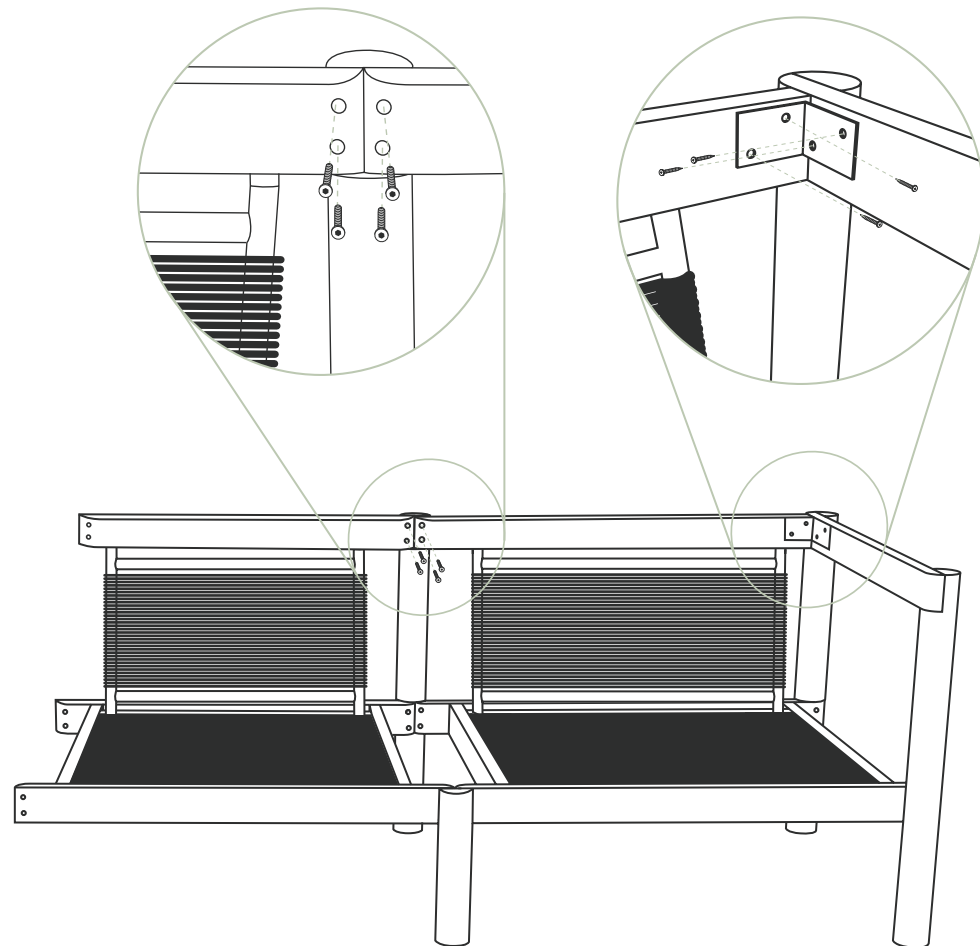
Lower each back support onto the roped backs. The Right Arm Module (large base) will require the right arm back support and the Armless Module (small base) will require the small back support. Align slots underneath each back support with the corresponding roped back's top bracket. Then insert bracket into the slot.



9 Fasten right arm back support to arm and large leg

With your Allen wrench, gently fasten back support components onto large leg with two hex bolts. Repeat with adjoining side of small back support.

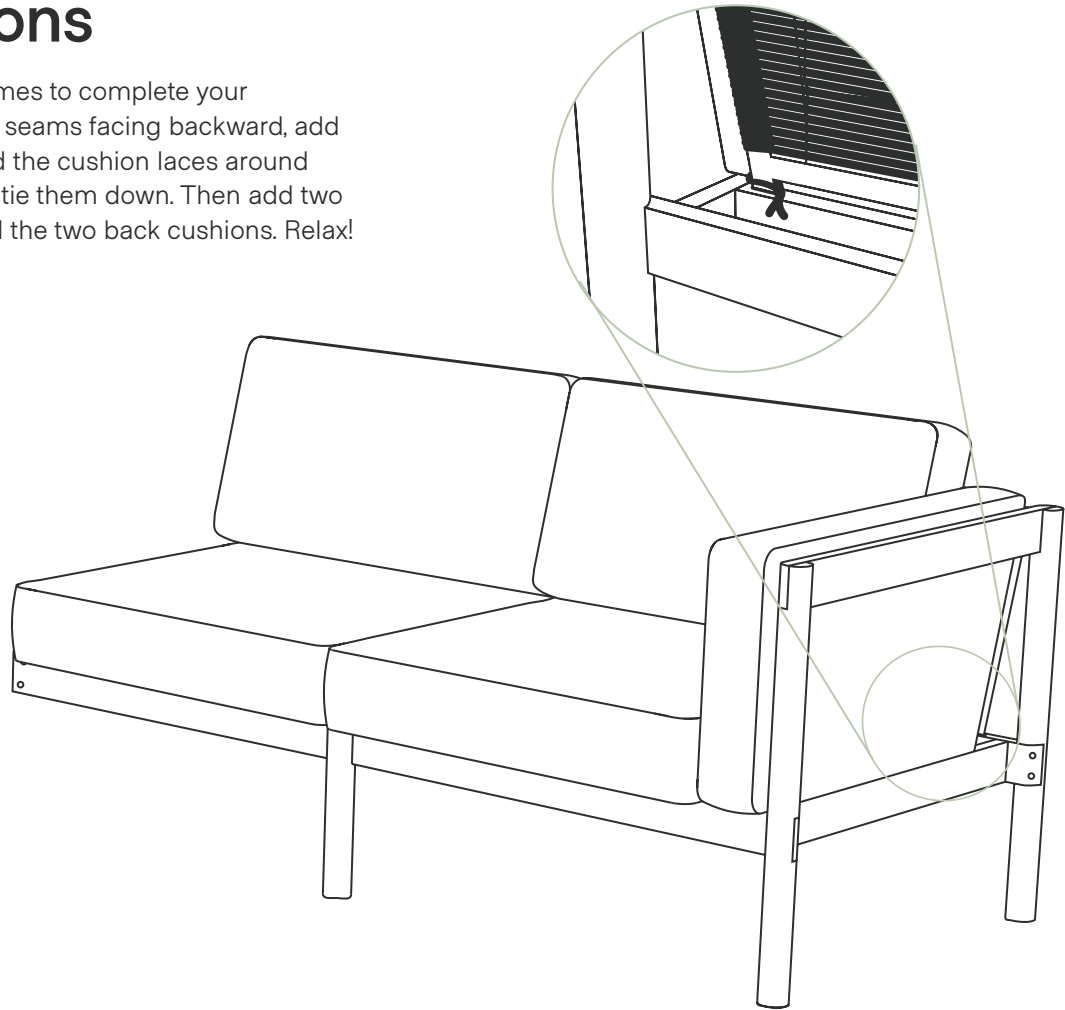
Next, align the pre-drilled holes on the right arm with the holes on the L-bracket. Then, with a Phillips Head screwdriver, gently secure with four screws to right arm and back support.



10

Add cushions

Connect all remaining frames to complete your sectional, then with zipper seams facing backward, add your arm cushions. Thread the cushion laces around the roped back posts and tie them down. Then add two base cushions. Finally, add the two back cushions. Relax! You're finished.



Contact

Have a question, comment, feedback?
We love hearing from customers.

support@hineighbor.com
hineighbor.com

neighbor