

# Haven 4-Piece Sectional Cushion Arm

Assembly Guide

*neighbor*

#### Frame Boxes

- ✓ Left Module - Cushion Arm Frame (1)
- ✓ Right Module - Cushion Arm Frame (1)
- ✓ Armless Module Frame (1)
- ✓ Corner Module Frame (1)

#### Cushion Boxes

- ✓ Cushions - Left Arm Module (1)
- ✓ Cushions - Right Arm Module (1)
- ✓ Cushions - Armless/Teak Arm (1)
- ✓ Cushions - Corner Module (1)

# Parts



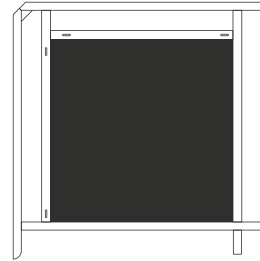
## 2X Arm Module Base

Left Module - Cushion Arm Frame Box  
Right Module - Cushion Arm Frame Box



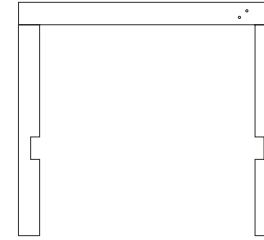
## 1X Module Base

Armless Module Frame Box



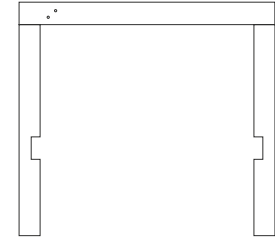
## 1X Corner Base

Corner Module Frame Box



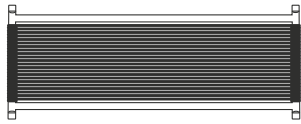
## 1X Left Arm

Left Module - Cushion Arm Frame Box



## 1X Right Arm

Right Module - Cushion Arm Frame Box



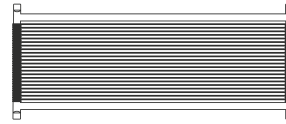
## 2X Arm Module Roped Back

Left Module - Cushion Arm Frame Box  
Right Module - Cushion Arm Frame Box



## 1X Module Roped Back

Armless Module Frame Box



## 2X Corner Module Roped Back

Corner Module Frame Box



## 1X Left Arm Module Back Support

Left Module - Cushion Arm Frame Box



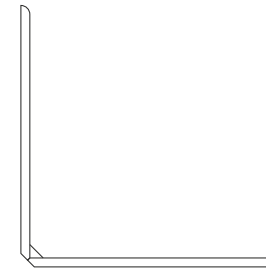
## 1X Right Arm Module Back Support

Right Module - Cushion Arm Frame Box



## 1X Module Back Support

Armless Module Frame Box



## 1X Corner Module Back Support

Corner Module Frame Box



## 3X Long Leg

Right Module - Cushion Arm Frame Box  
Corner Module Frame Box  
Armless Module Frame Box



## 1X Long Corner Leg

Corner Module Frame Box



## 1X Short Leg

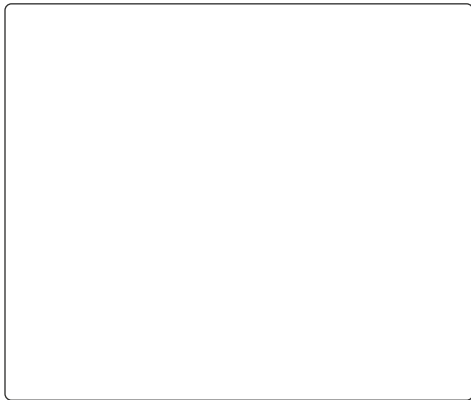
Right Module - Cushion Arm Frame Box  
Armless Module Frame Box



## 1X Short Corner Leg

Corner Module Frame Box

# Cushions



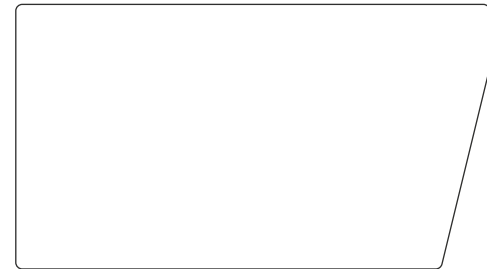
**3X Base Cushion**

Cushions - Left Arm Module Box  
Cushions - Right Arm Module Box  
Cushions - Armless/Teak Arm Box



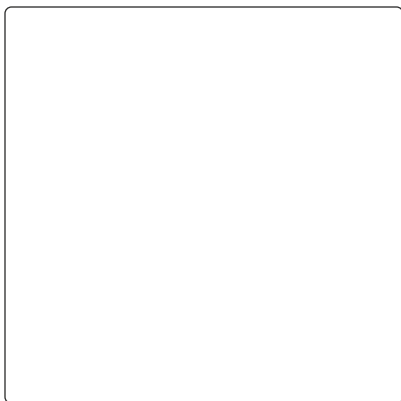
**3X Back Cushion**

Cushions - Left Arm Module Box  
Cushions - Right Arm Module Box  
Cushions - Armless/Teak Arm Box



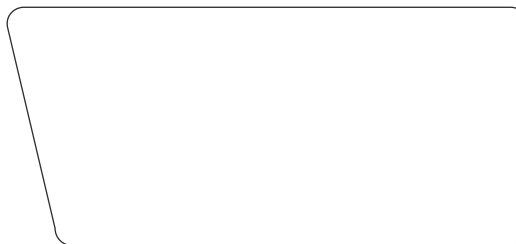
**2X Arm Cushion**

Cushions - Left Arm Module Box  
Cushions - Right Arm Module Box



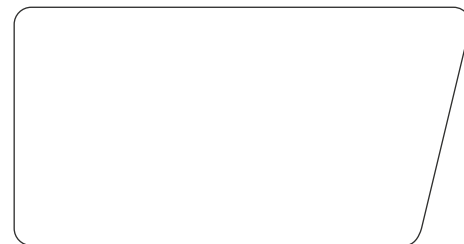
**1X Corner Module Base Cushion**

Cushions - Corner Module Box



**1X Long Corner Back Cushion**

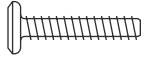
Cushions - Corner Module Box



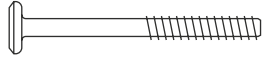
**1X Short Corner Back Cushion**

Cushions - Corner Module Box

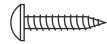
# Hardware



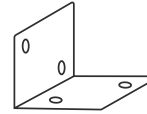
**44X 30mm Hex Bolt**  
All Frame Boxes



**4X 60mm Hex Bolt**  
Corner Module Frame Box



**8X Phillips Head Screw**  
Left Module - Cushion Arm Frame Box  
Right Module - Cushion Arm Frame Box

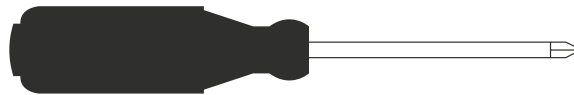


**2X L-Bracket**  
Left Module - Cushion Arm Frame Box  
Right Module - Cushion Arm Frame Box

# Tools



**Allen Wrench**  
All Frame Boxes



**Phillips Head Screwdriver**  
\*Not included

## Assembly Tips

### Use caution when lifting

Two-person lift is recommended. The boxes and product are both large and heavy.

### Lay everything out before you begin

Getting familiar with all the components before assembly will make for a faster and easier assembly process.

### Assemble on a soft surface

We recommend assembling your furniture on a soft surface such as a rug or a towel. The wood frame can scratch against harsh textures like brick or concrete.

### Loose first, then tight

Partly tighten the hex bolts while assembling. After the modules are fully assembled, tighten the bolts firmly. Keep in mind humidity levels can slightly affect how the pieces fit together.

## Product Care

### Caring for teak

Unfinished teak will gradually change color from honey gold to a silver-gray patina. We encourage allowing the teak to turn color naturally and cleaning it annually or bi-annually. As for cleaning, we recommend Golden Teak Cleaner, which is specifically designed to kill mold and mildew spores inside teak.

Avoid prolonging mildew growth. If left in the shade for extended periods, this can be common. If you live in a particularly humid or rainy climate, keep a closer eye on mildew growth and clean as needed.

Covering your furniture when not in use will greatly prolong the lifespan of the wood.

### Caring for Sunbrella

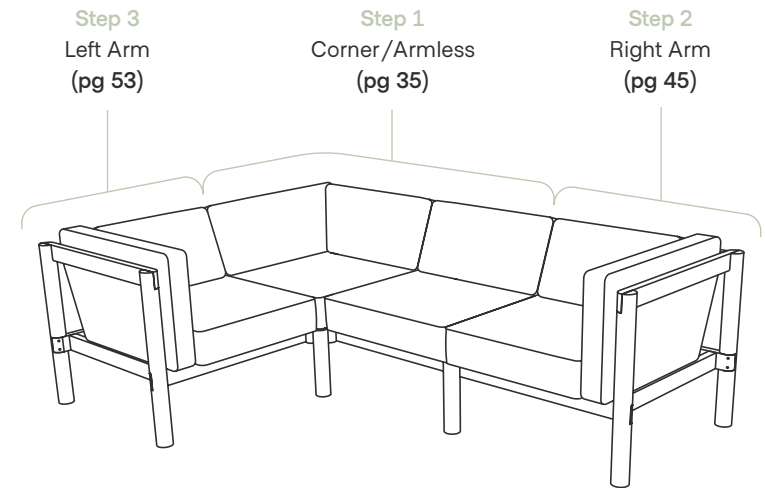
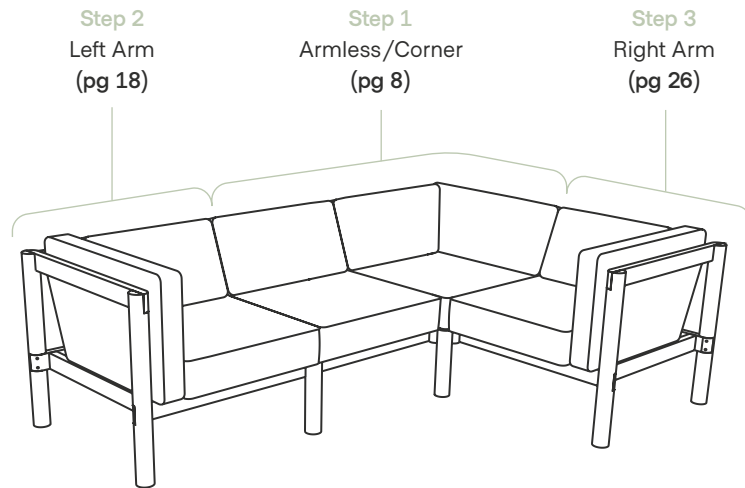
Brush off dirt before it becomes embedded in the fabric and wipe up spills as soon as they happen. Rinse thoroughly and air dry. Avoid scrubbing, stiff bristle brushes, or any other abrasive cleaning method.

Protect the area around your furniture when using bleach or other chemical solvents that may discolor non-Sunbrella fabrics.

If fabric is wrinkled, use an iron on the synthetic setting. As iron temperatures may vary, test a small area first before ironing the entire piece. Do not use a steamer or an iron set to the steam setting.

### Fabric stain removal

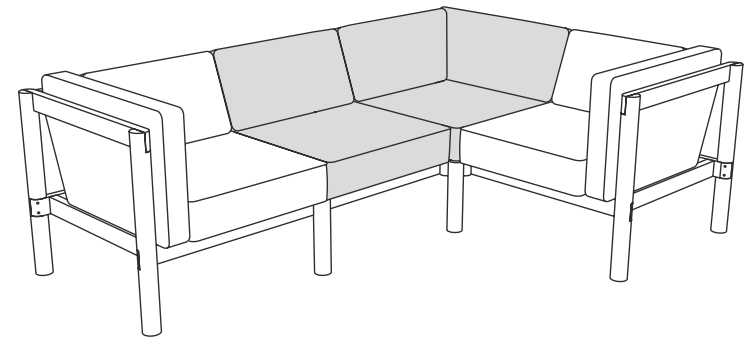
- Blot (don't rub) liquid spills with a clean, dry cloth. For oil-based spills, apply an absorbent such as corn starch then remove with a straight edge.
- Spray on a mild cleaning solution of soap (such as Woolite® or Dawn®) and water and lightly agitate with a sponge or gentle brush.
- Rinse the fabric thoroughly to remove all soap residue.
- Air dry.
- As needed, unzip and machine-wash covers.



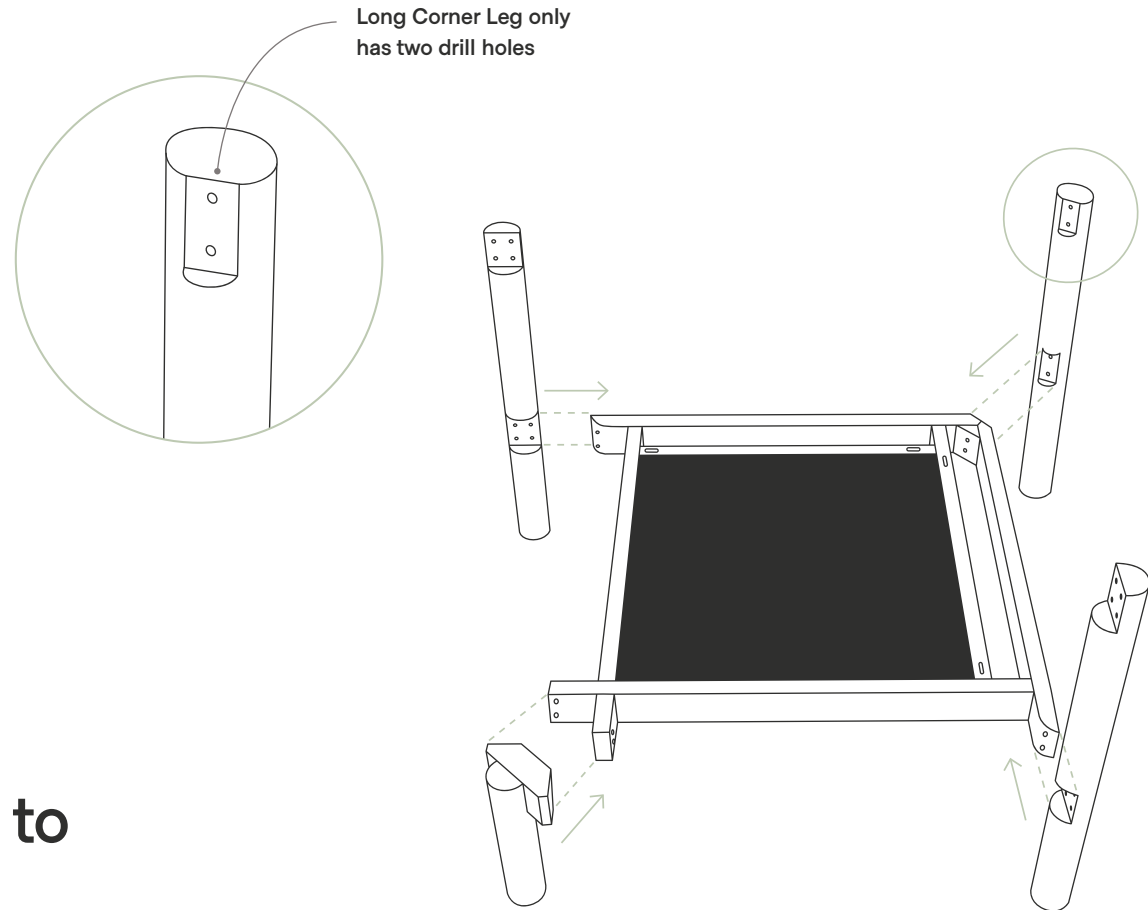
## Choosing your orientation

The Haven Collection is designed to be adaptable to your space and can be configured to be either left or right-side facing. To build yours, choose the orientation you'd like by assembling in sections, starting at the Corner Module and work outwards toward the remaining module(s).

# Armless/ Corner



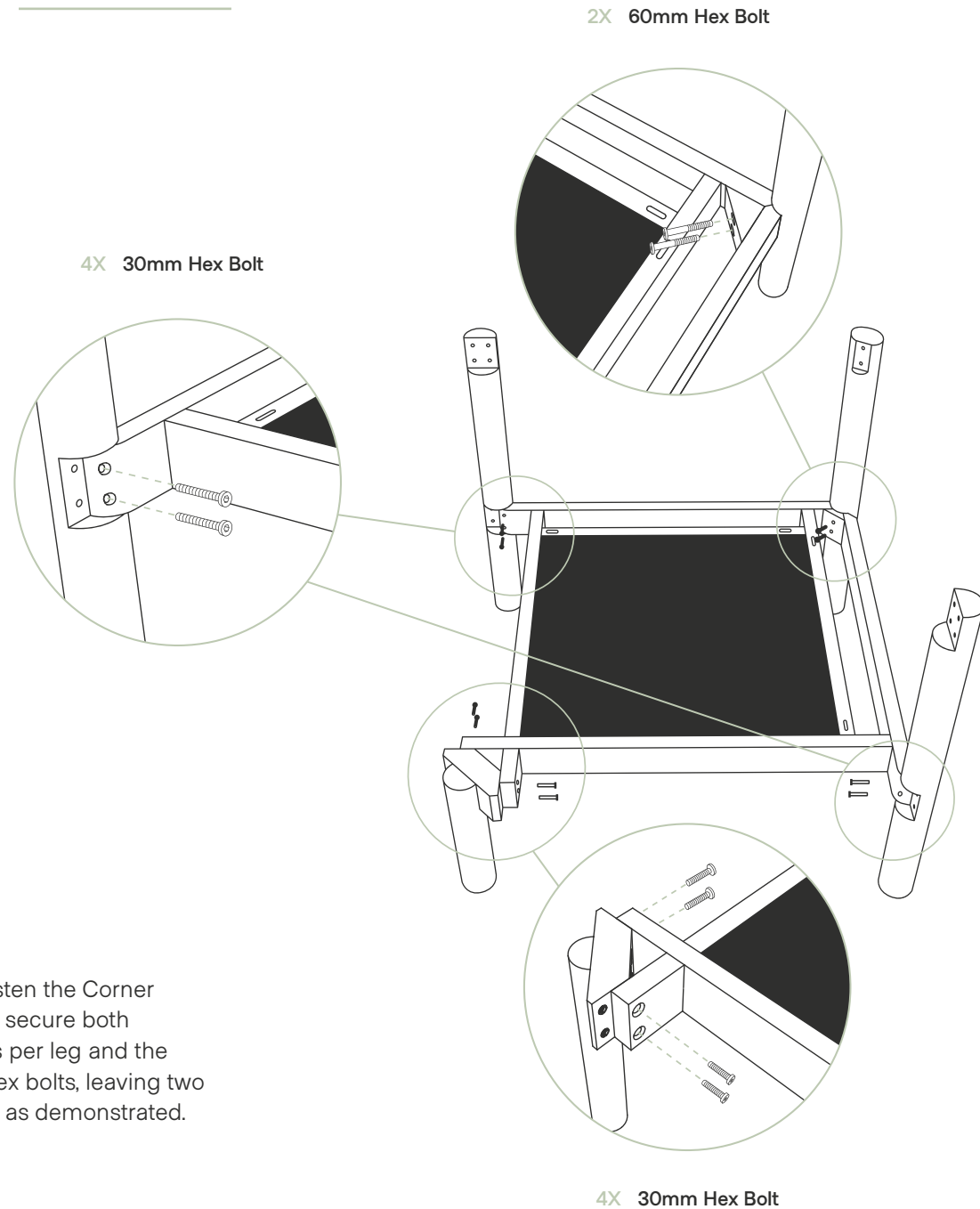




# 1

## Connect legs to corner base

Gently connect the Long Corner Leg, two Long Legs, and the Short Corner Leg to the Corner Module Base.



## 2

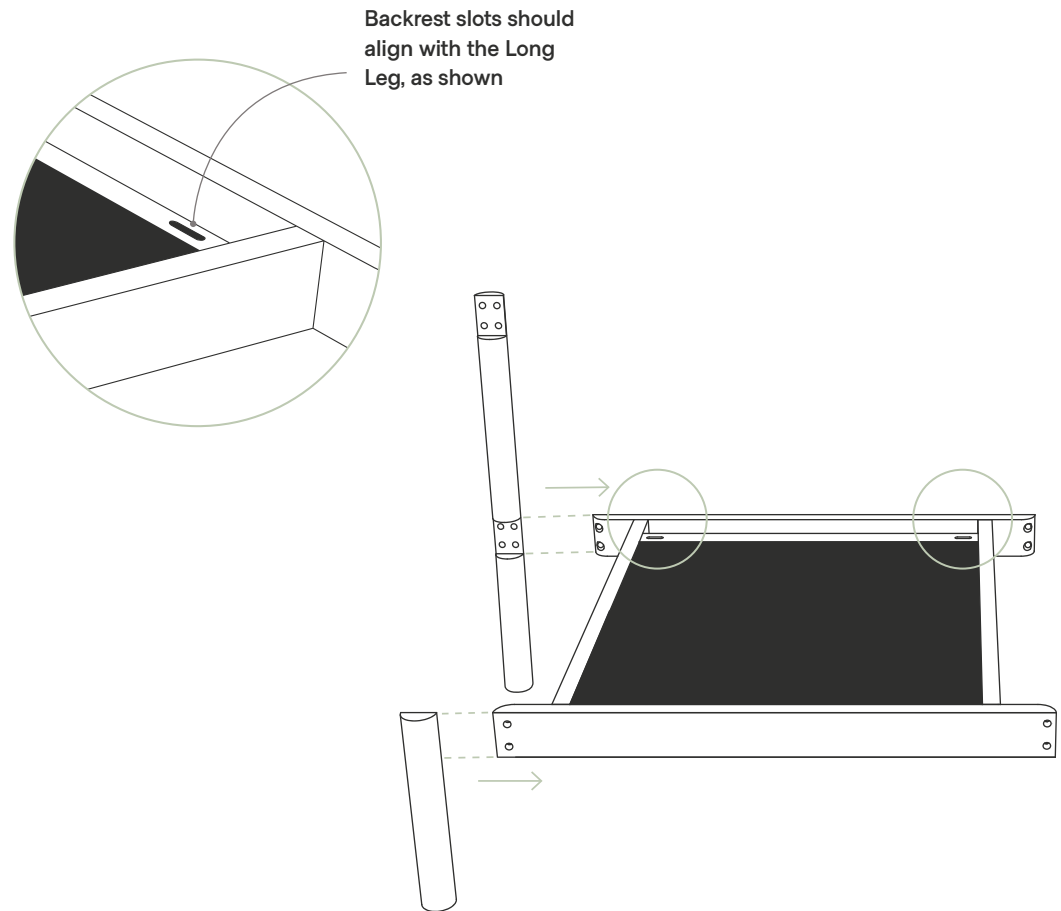
## Fasten legs to corner base

Using the Allen Wrench provided, fasten the Corner Leg with two 60mm Hex Bolts. Then, secure both Long Legs with two 30mm Hex Bolts per leg and the Short Corner Leg with four 30mm Hex bolts, leaving two threaded holes on each leg exposed as demonstrated.

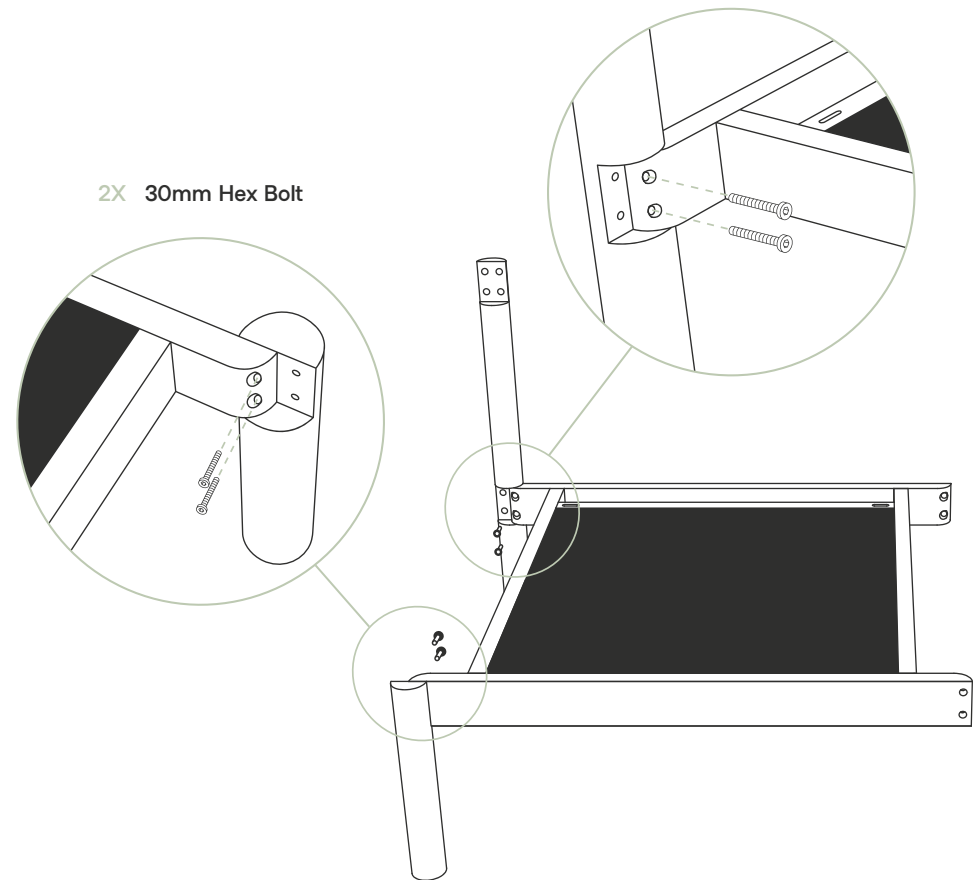
# 3

## Connect legs to left side of base

Gently connect the Long and Short Legs to the left side of the Module Base, verifying that the backrest slots are aligned with the Long Leg.



2X 30mm Hex Bolt

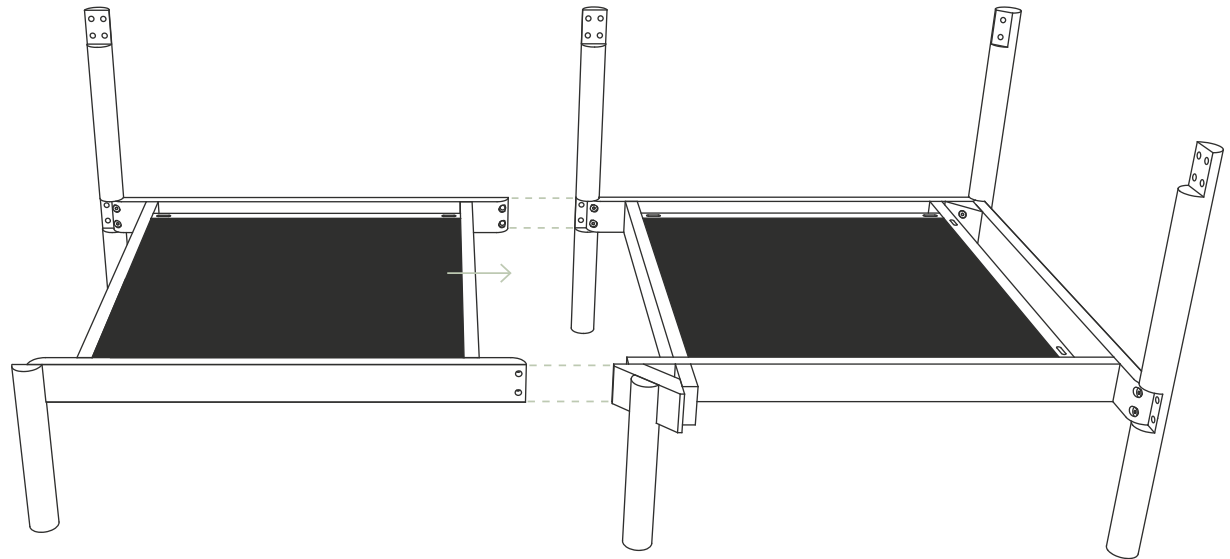


2X 30mm Hex Bolt

## 4

## Fasten legs to base

With the Allen Wrench provided, fasten the Short Leg to the Module Base with two 30mm Hex Bolts. Repeat with Long Leg. Be sure to leave two threaded holes on each leg exposed as demonstrated.

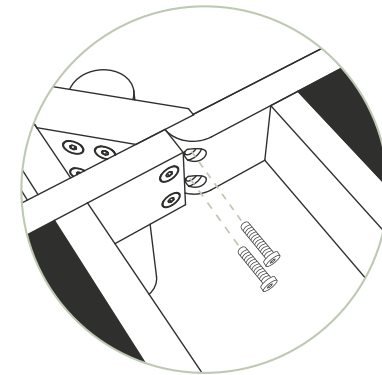
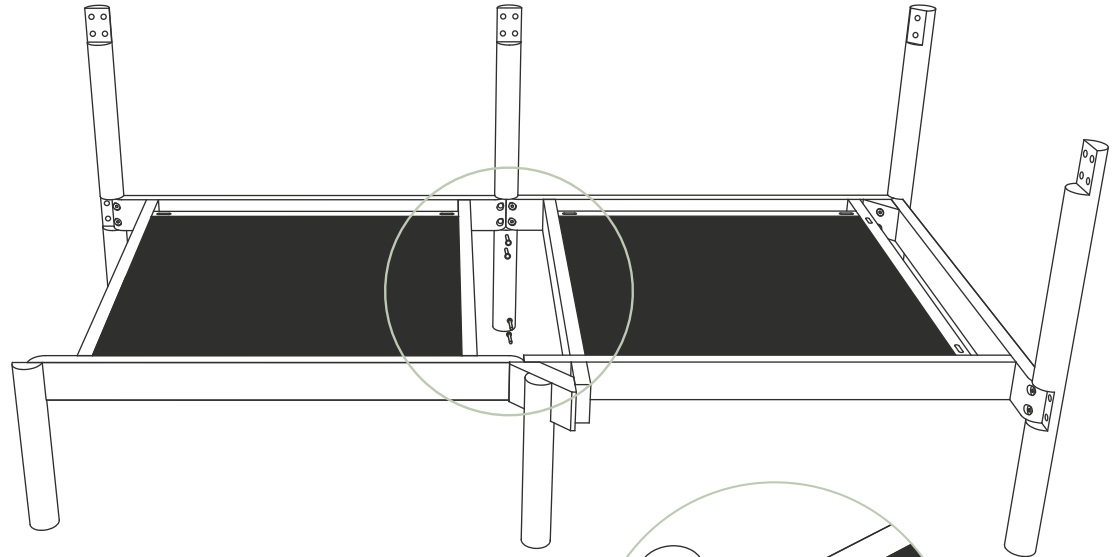
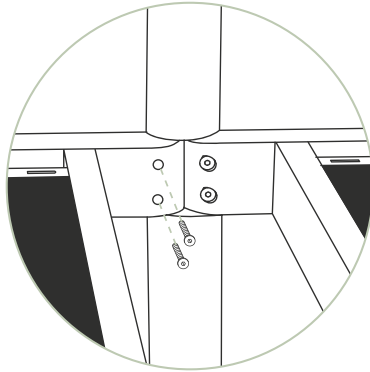


# 5

## Connect bases

Gently slide Module Base into the slotted sections on the assembled corner component's Long and Short Legs. Slide base until its pre-drilled holes align with the threaded holes on the legs.

2X 30mm Hex Bolt

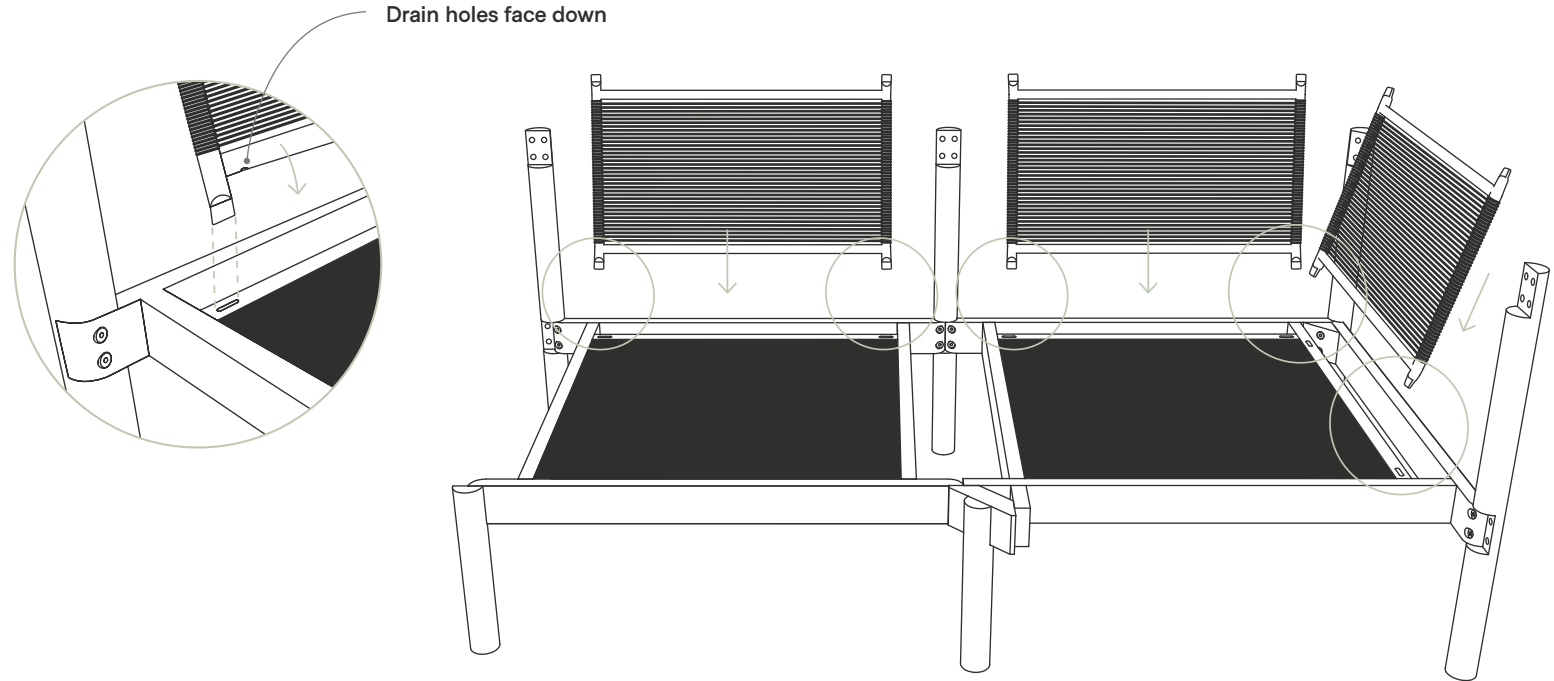


2X 30mm Hex Bolt

# 6

## Fasten bases

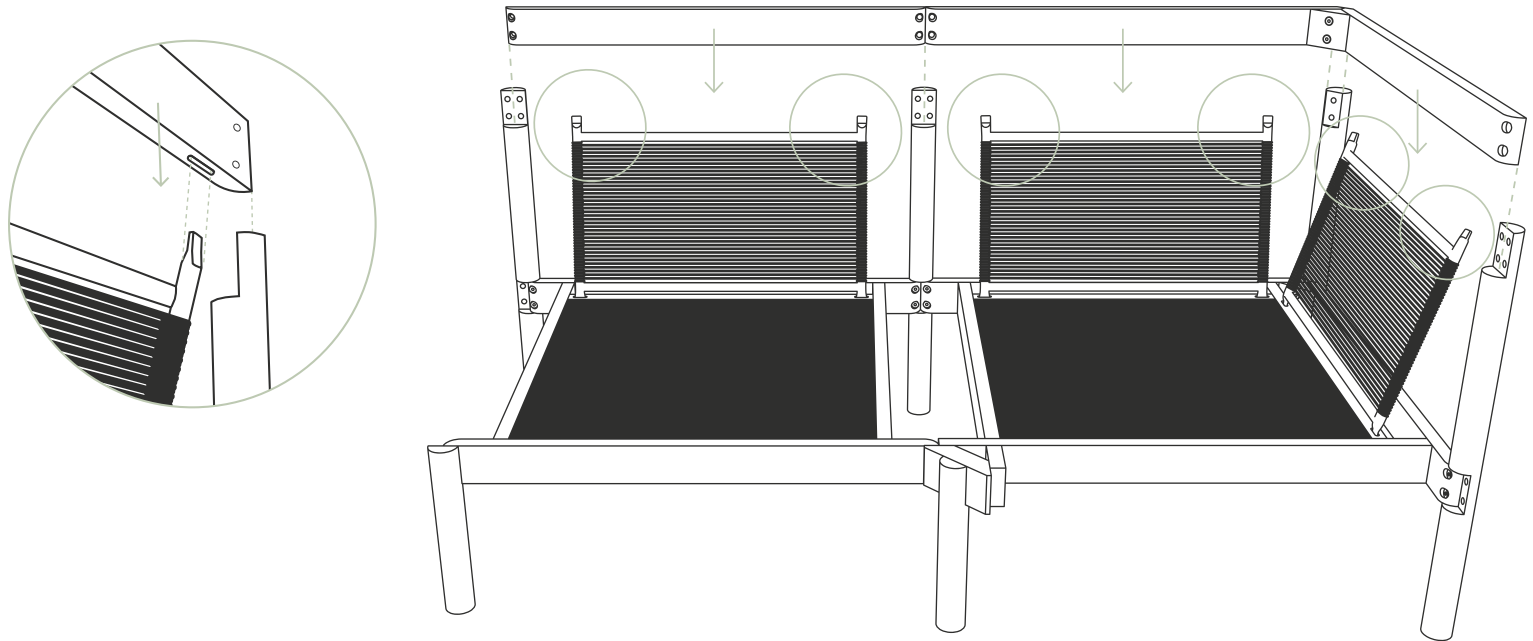
After holes on the bases are aligned with the corresponding threaded holes on each leg, use the Allen Wrench provided to fasten them together with two 30mm Hex Bolts per side.



# 7

## Secure roped backs to bases

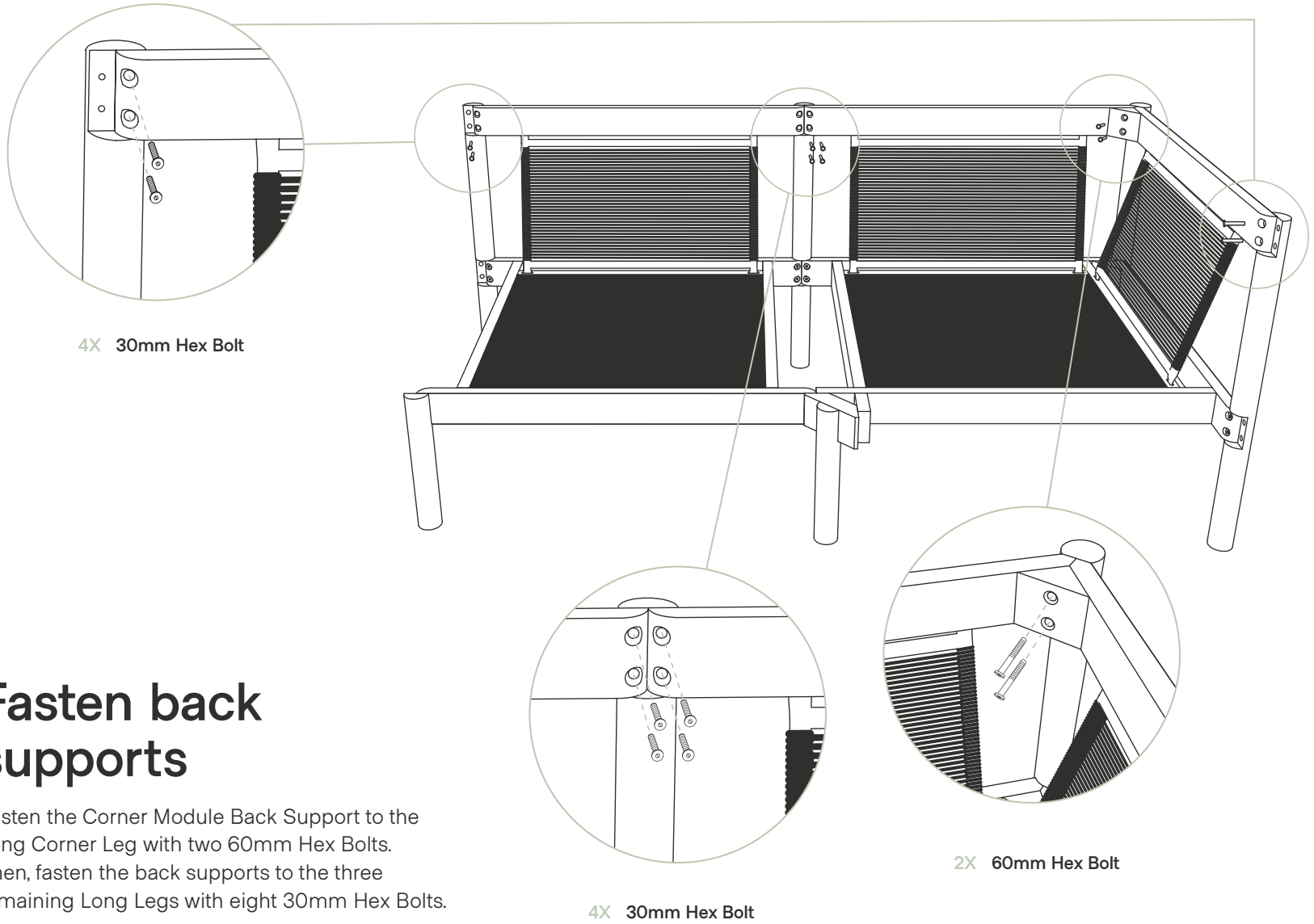
Insert the Module Roped Back into the slots of the Module Base. Then, insert the Corner Module Roped Backs into the slots of the Corner Module Base.



## Attach back supports to roped backs

Lower the Module Back Support onto the Module Roped Back and the Corner Module Back Support onto the Corner Module Roped Backs. Fit the tabs into their corresponding slots, then insert.



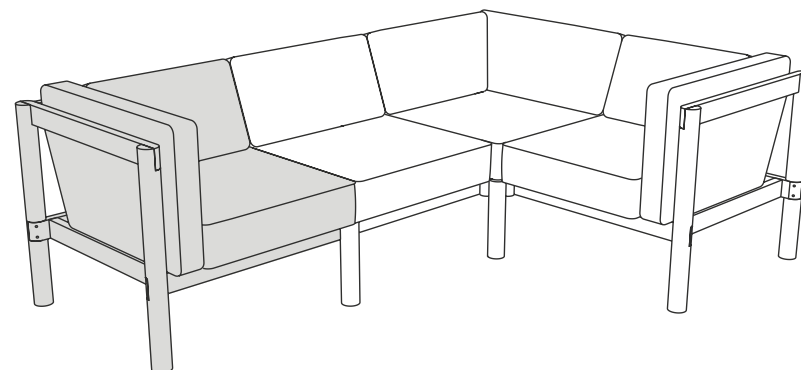


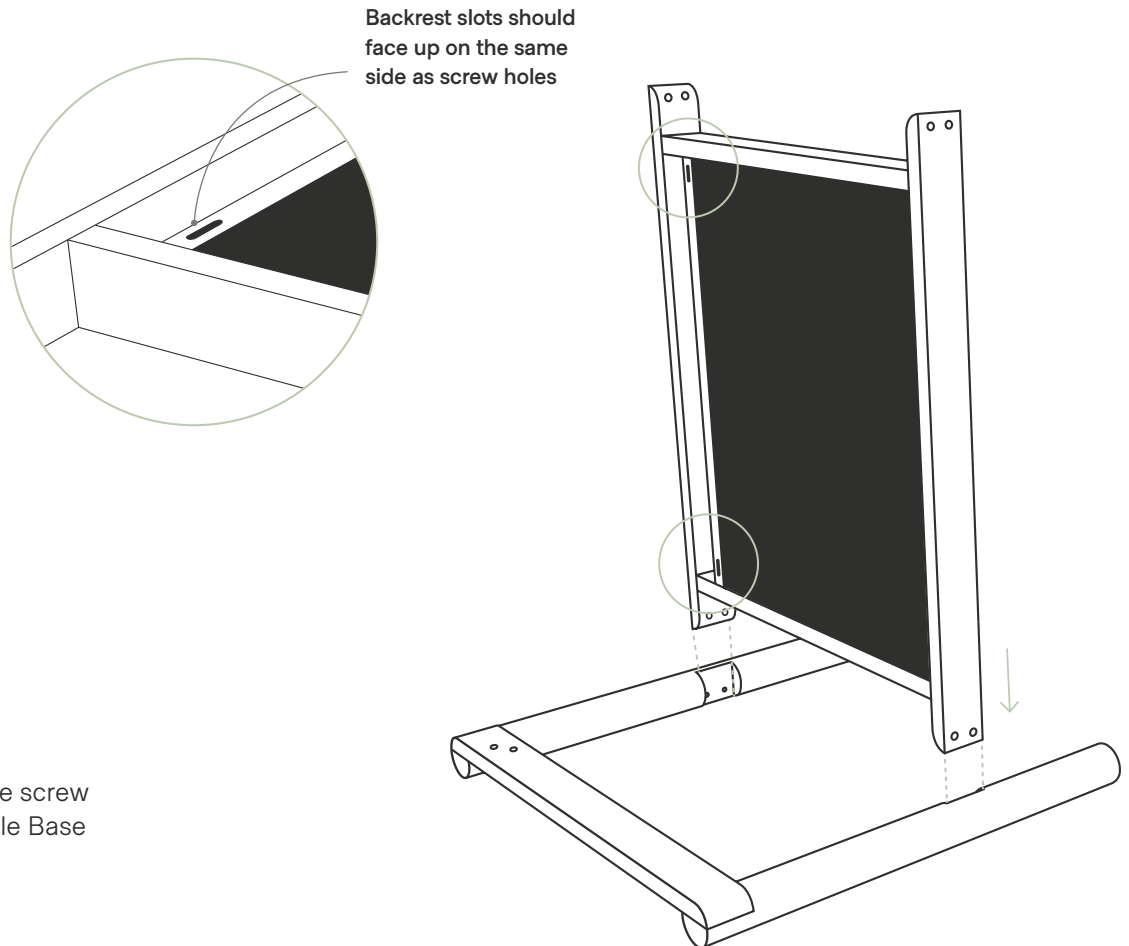
## 9

## Fasten back supports

Fasten the Corner Module Back Support to the Long Corner Leg with two 60mm Hex Bolts. Then, fasten the back supports to the three remaining Long Legs with eight 30mm Hex Bolts.

# Left Arm



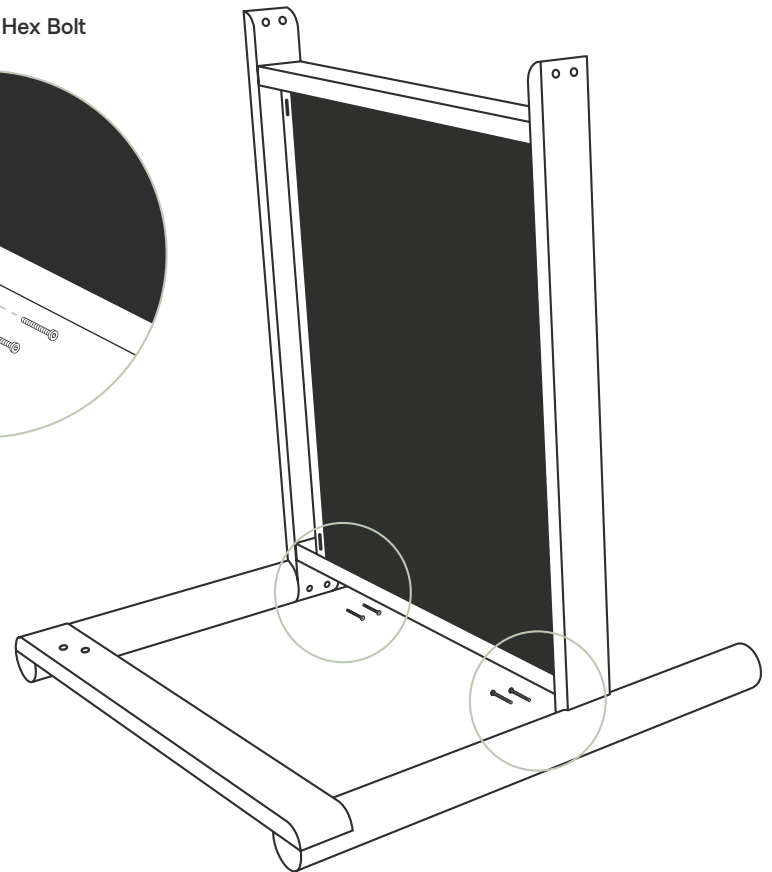
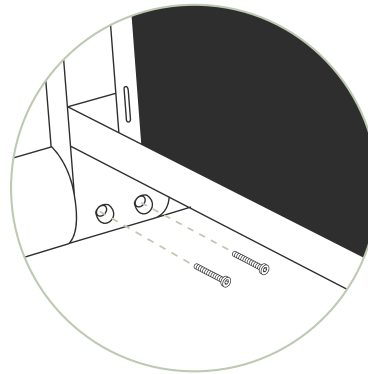


# 1

## Connect base to left arm

Place the Left Arm on a soft surface with the screw holes facing up. Gently slide the Arm Module Base into the arm's inner slots.

4X 30mm Hex Bolt



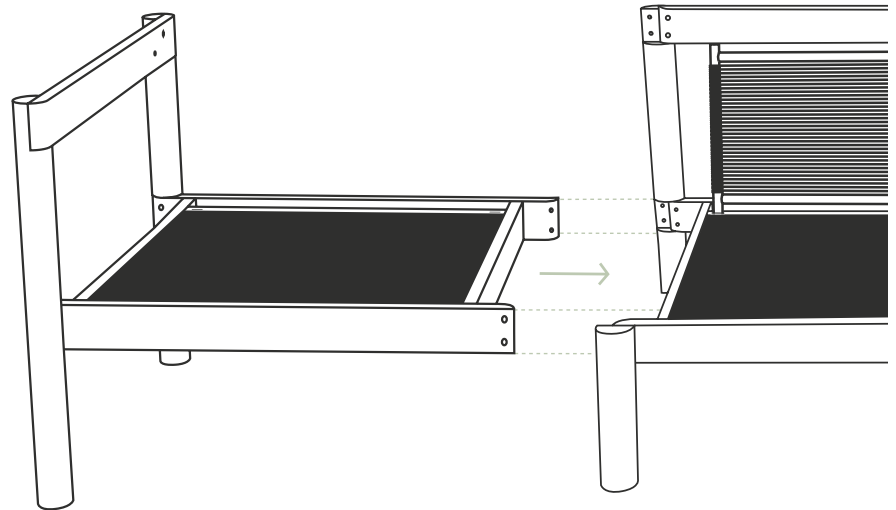
## 2 Fasten arm to base

Using the Allen Wrench provided, fasten the Arm Module Base to the Left Arm with two 30mm Hex Bolts per side.

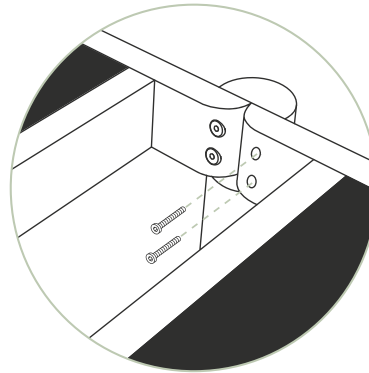
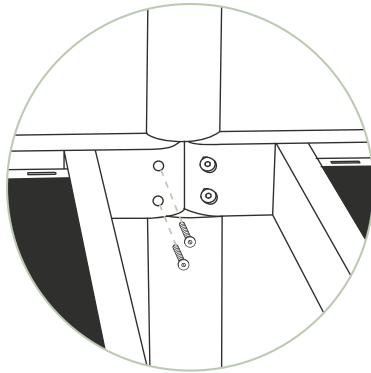
## 3

## Connect bases

Gently slide assembled components together. Slide base until its pre-drilled holes align with the threaded holes on the legs.



2X 30mm Hex Bolt

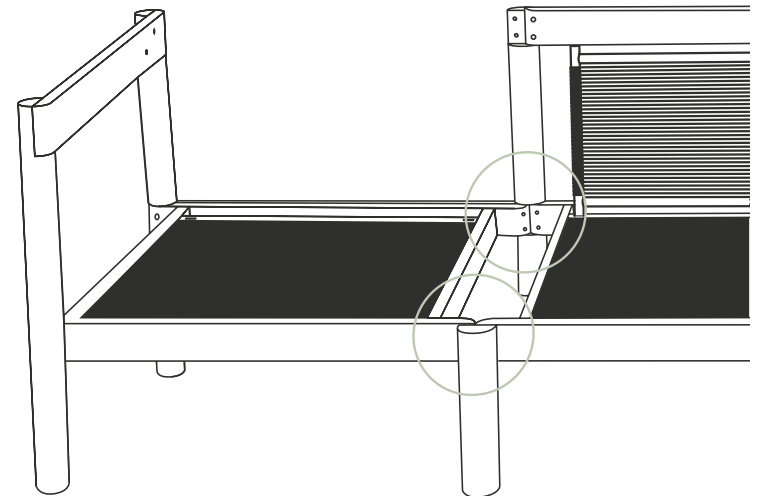


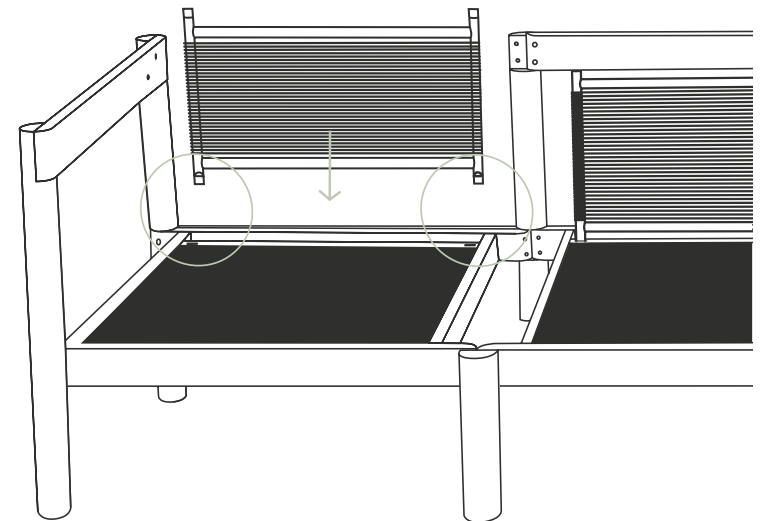
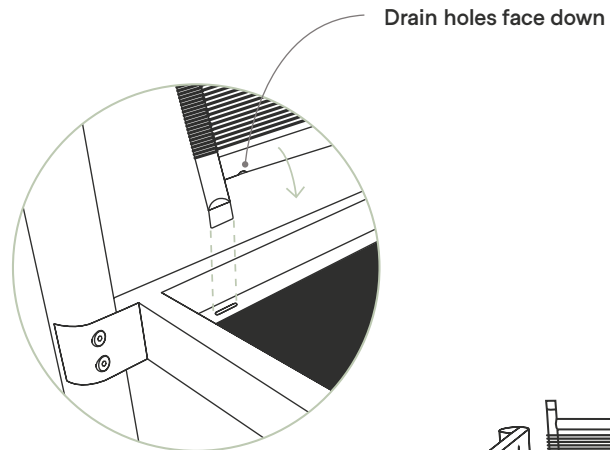
2X 30mm Hex Bolt

4

## Fasten bases

After holes on the bases are aligned with the corresponding threaded holes on each leg, use the Allen Wrench provided to fasten them together with two 30mm Hex Bolts per side.

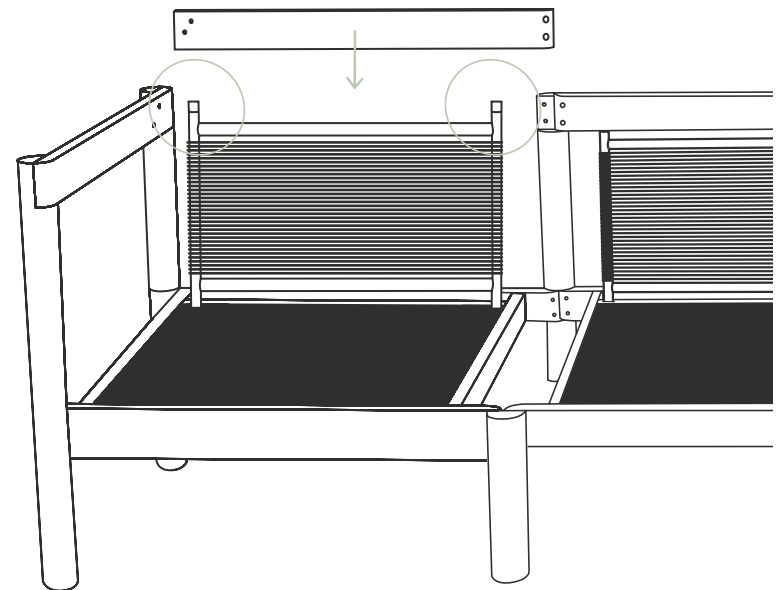
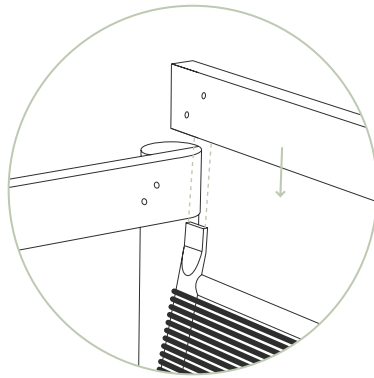




# 5

## Secure roped back to base

Insert the Arm Module Roped Back into the slots of the Arm Module Base.



# 6

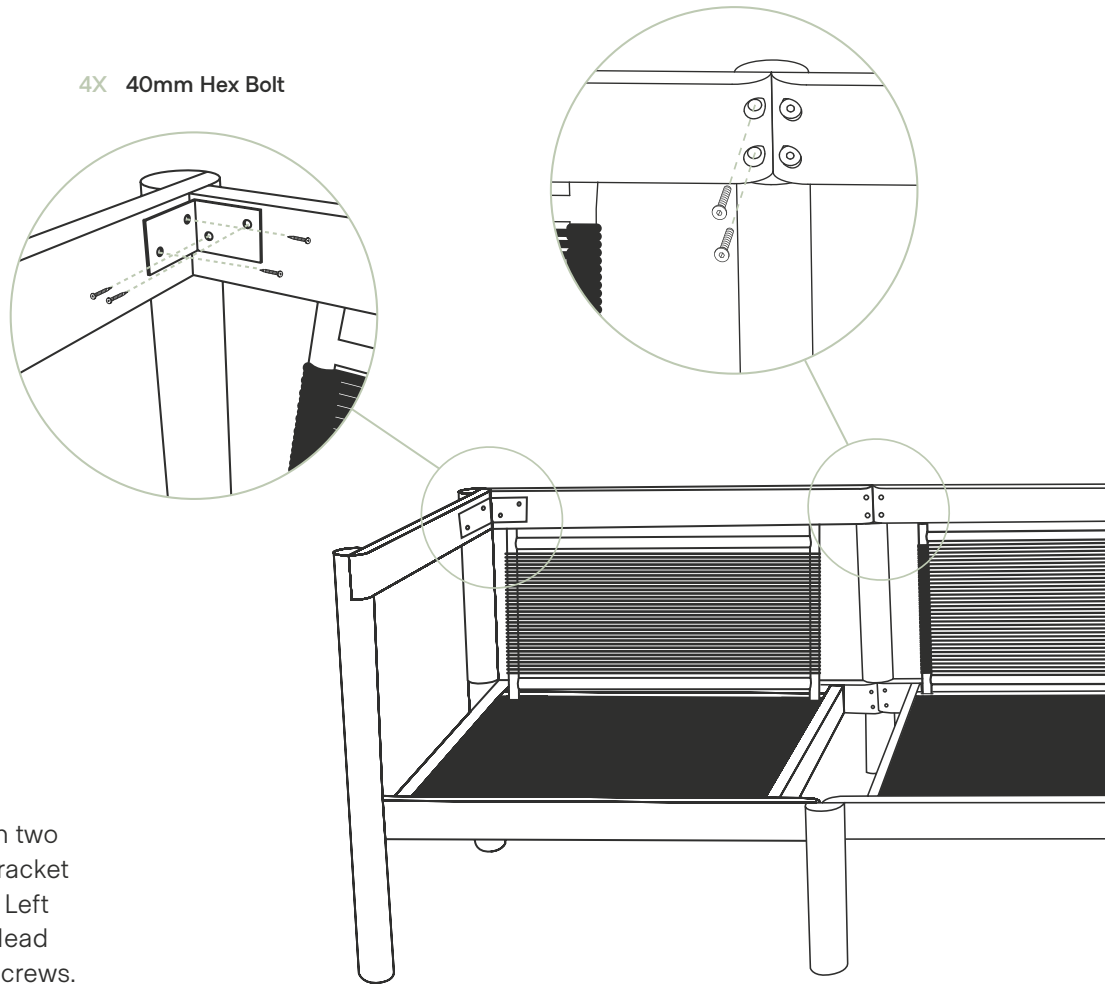
## Attach back support to roped back

Lower the Left Arm Module Back Support onto the Arm Module Roped Back by fitting the tabs into their corresponding slots, then insert.



2X 30mm Hex Bolt

4X 40mm Hex Bolt

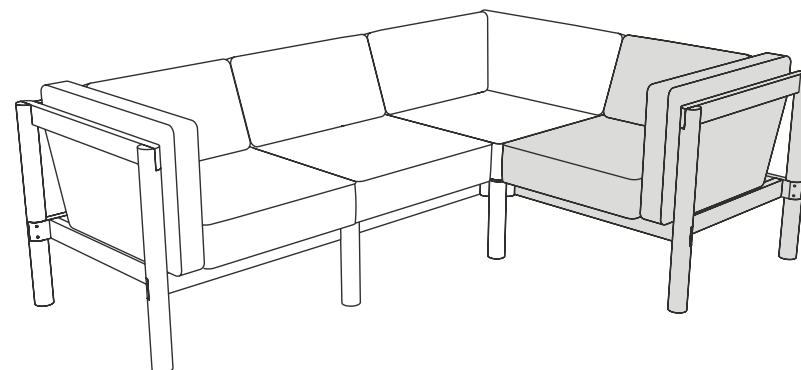


## 7

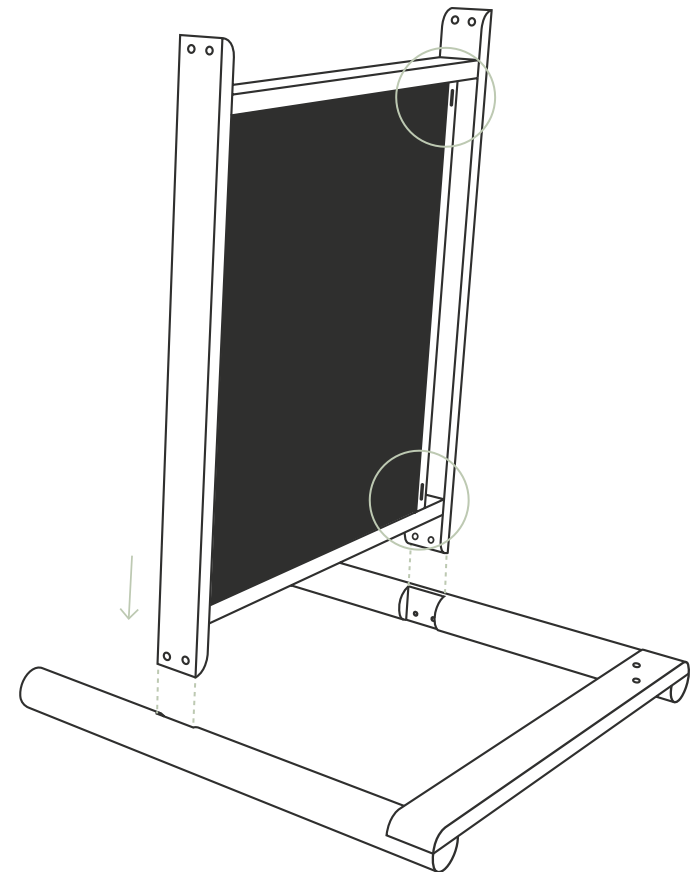
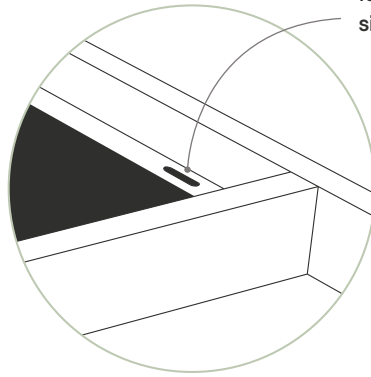
## Fasten back support

Fasten the back support to the Long Leg with two 30mm Hex Bolts. Align the holes on the L-Bracket to the pre-drilled holes on the Left Arm and Left Arm Module Back Support. With a Phillips Head Screwdriver, fasten with four Phillips Head Screws.

# Right Arm



Backrest slots should  
face up on the same  
side as screw holes

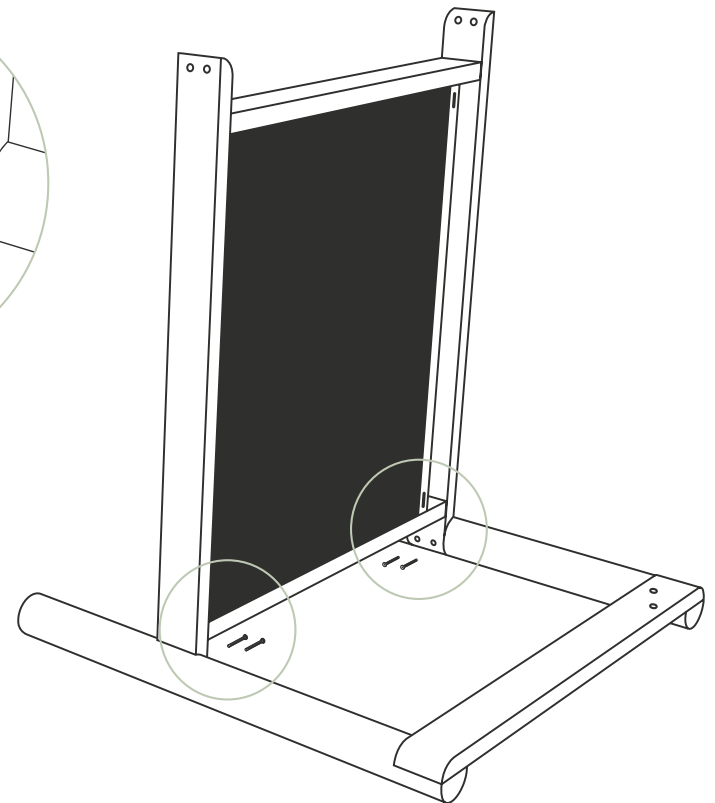
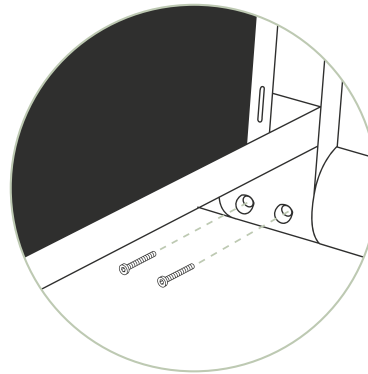


# 1

## Connect base to right arm

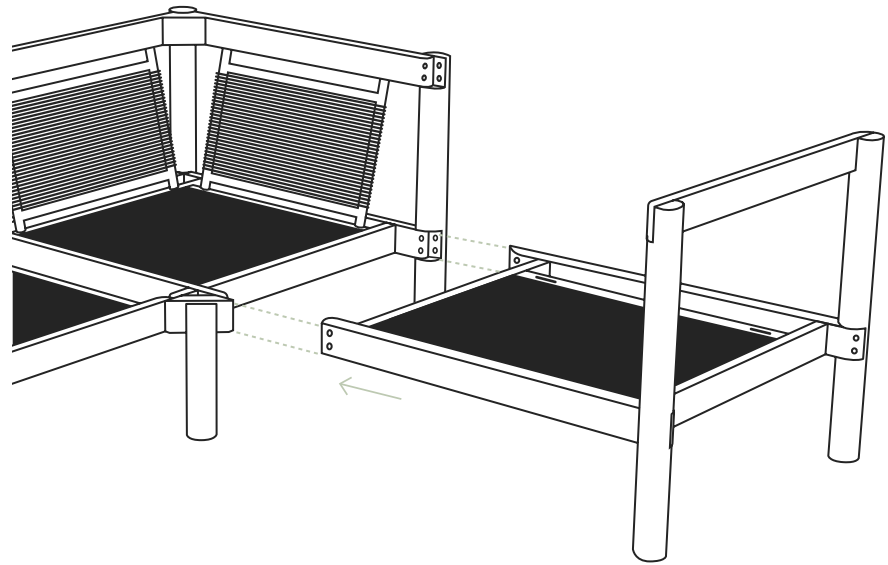
Place the Right Arm on a soft surface with the screw holes facing up. Gently slide the Arm Module Base into the arm's inner slots.

4X 30mm Hex Bolt



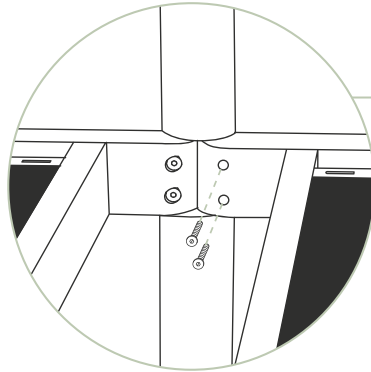
## 2 Fasten arm to base

Using the Allen Wrench provided, fasten the Arm Module Base to the Right Arm with two 30mm Hex Bolts per side.

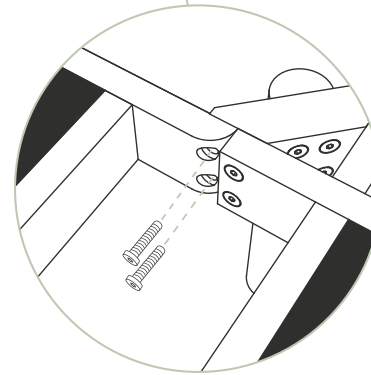
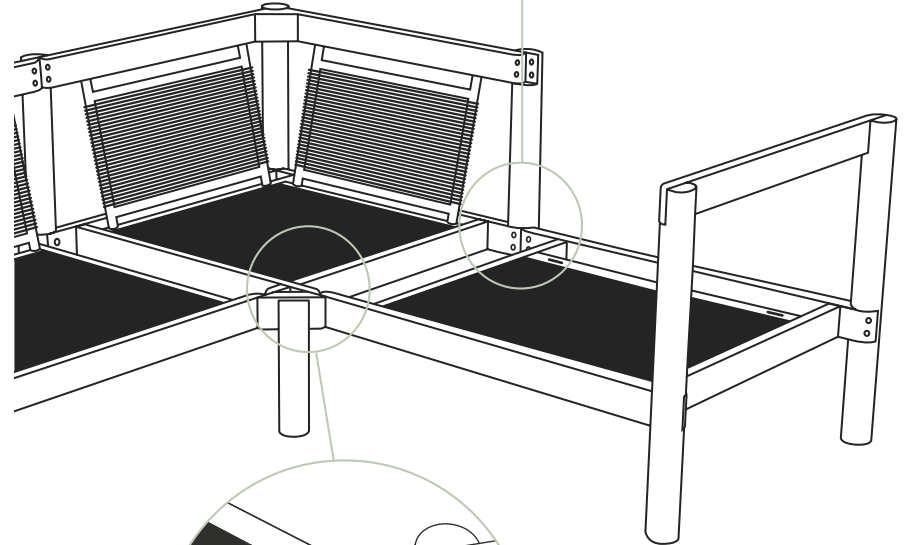


### 3 Connect base to corner

Gently slide the assembled components into the corner component. Slide base until its pre-drilled holes align with the threaded holes on the legs.



2X 30mm Hex Bolt



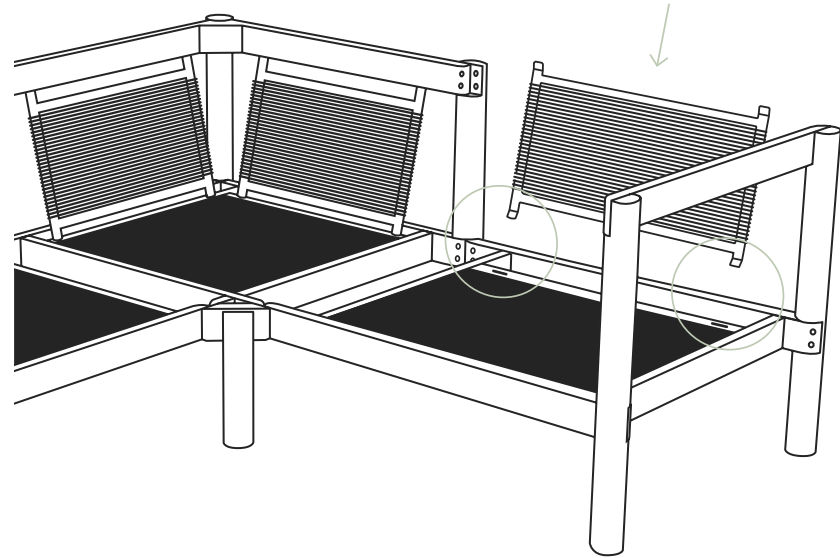
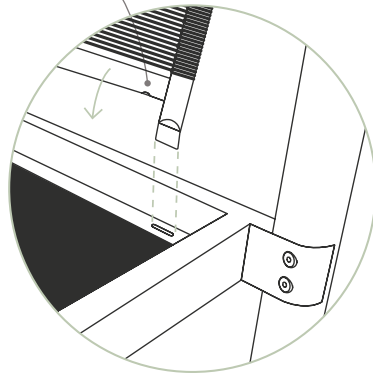
2X 30mm Hex Bolt

## 4

## Fasten bases

After holes on the bases are aligned with the corresponding threaded holes on each leg, use the Allen Wrench provided to fasten them together with two 30mm Hex Bolts per side.

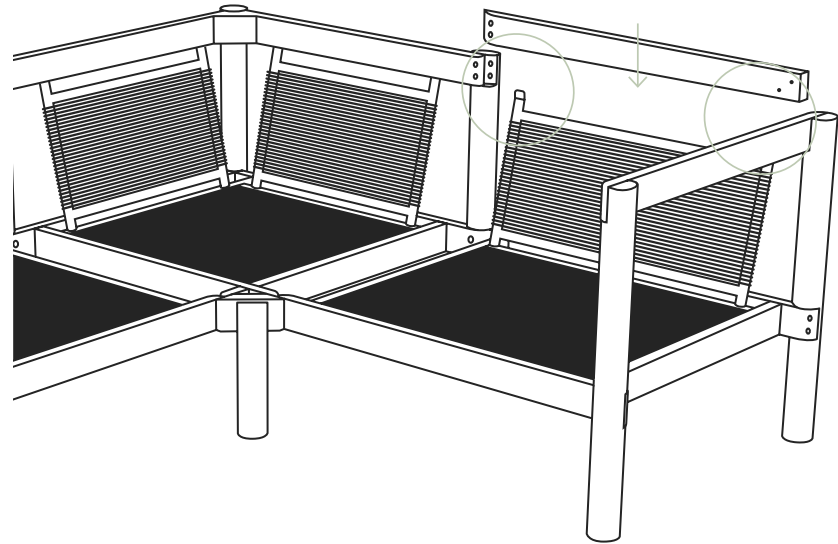
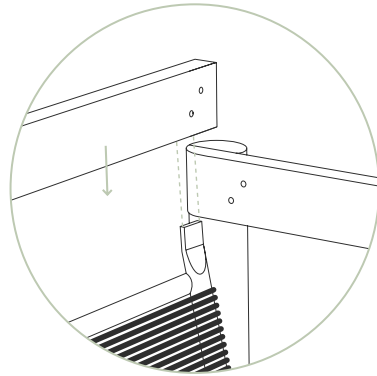
Drain holes face down



# 5

## Secure roped back to base

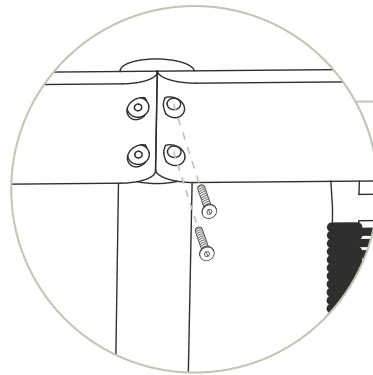
Insert the Arm Module Roped Back into the slots of the Arm Module Base.



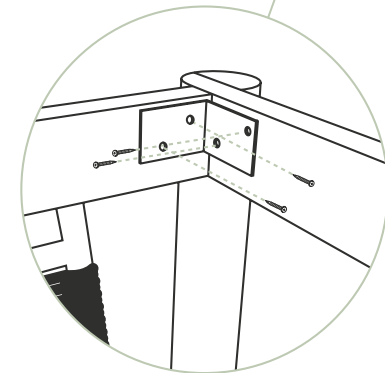
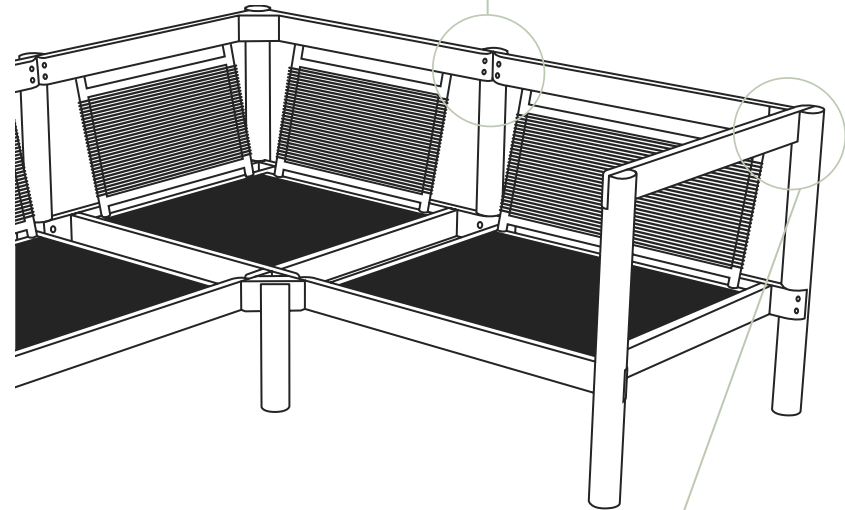
## 6 Attach back support to roped back

Lower the Right Arm Module Back Support onto the Arm Module Roped Back by fitting the tabs into their corresponding slots, then insert.





2X 30mm Hex Bolt

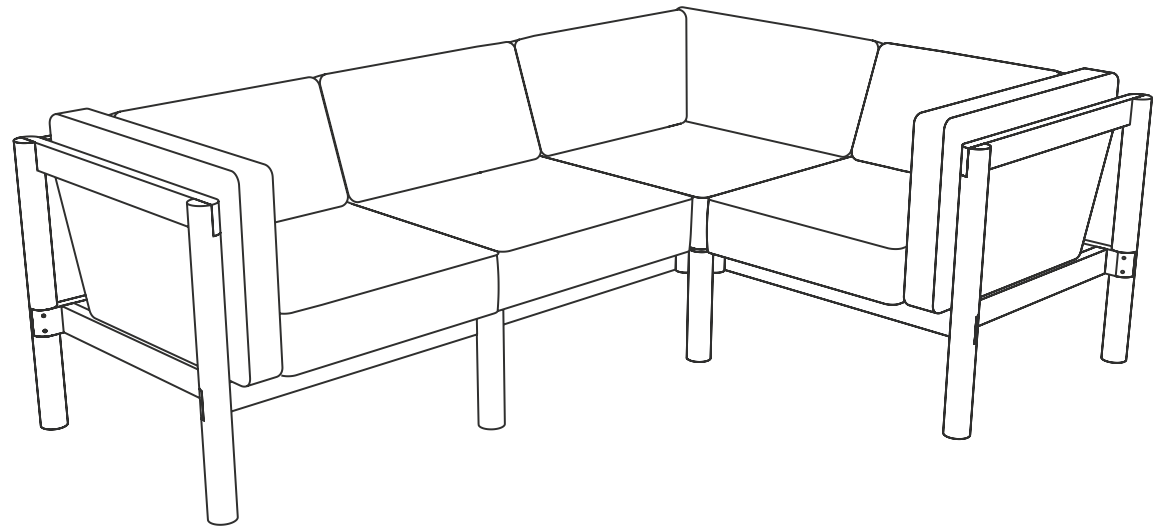
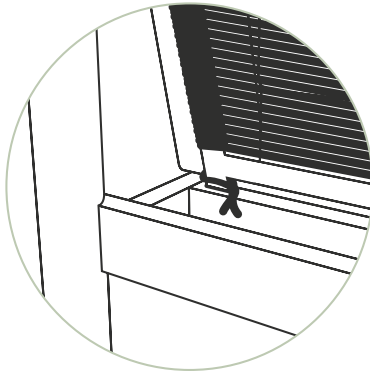


4X Phillips Head Screw

# 7

## Fasten back support

Fasten the back support to the Long Leg with two 30mm Hex Bolts. Align the holes on the L-Bracket to the pre-drilled holes on the Right Arm and Right Arm Module Back Support. With a Phillips Head Screwdriver, fasten with four Phillips Head Screws.

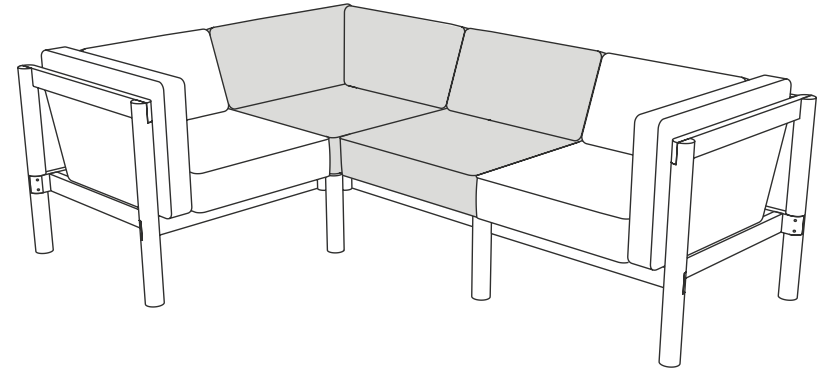


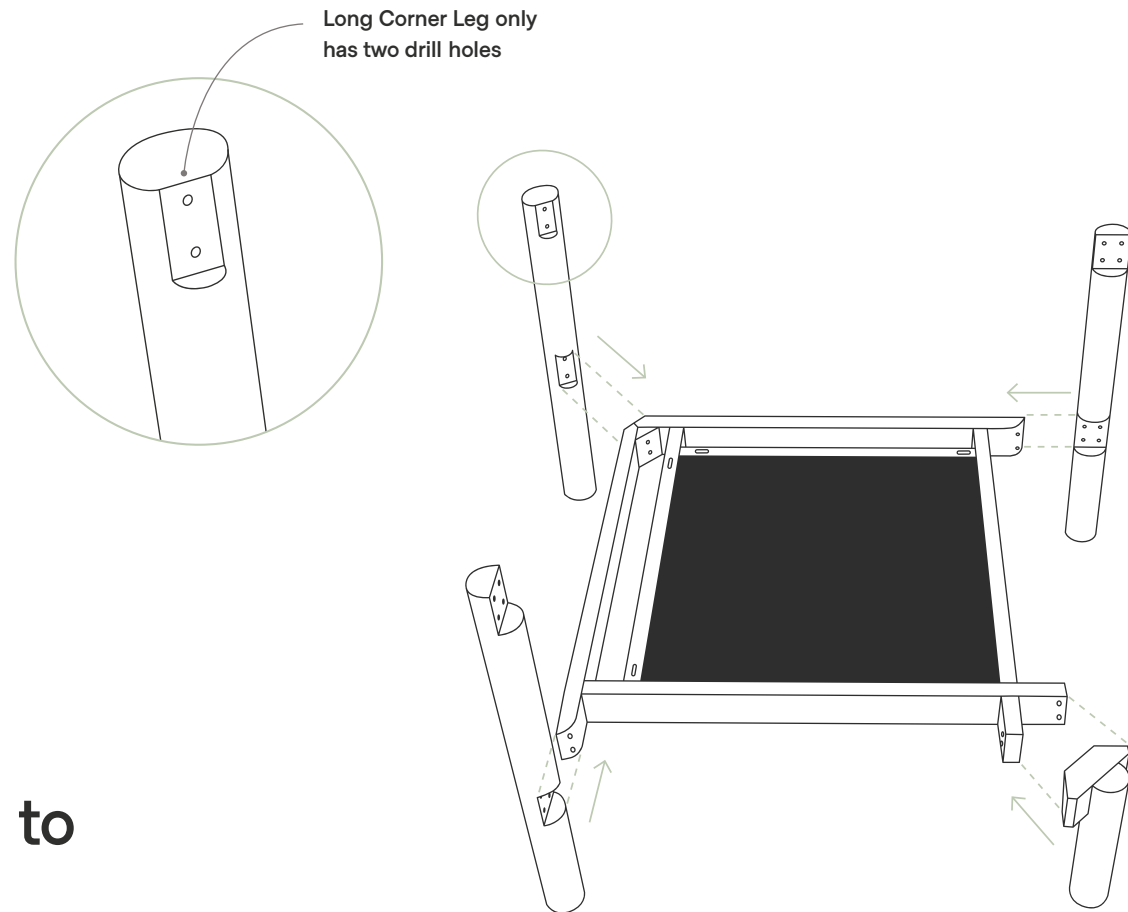
# 8

## Add cushions

With the zipper seams facing back, add both the Arm Cushions. Tie the cushions to the roped back posts as shown. Then add Base, Back, and Corner Cushions. Relax! You're ready to enjoy your sectional.

# Corner/ Armless





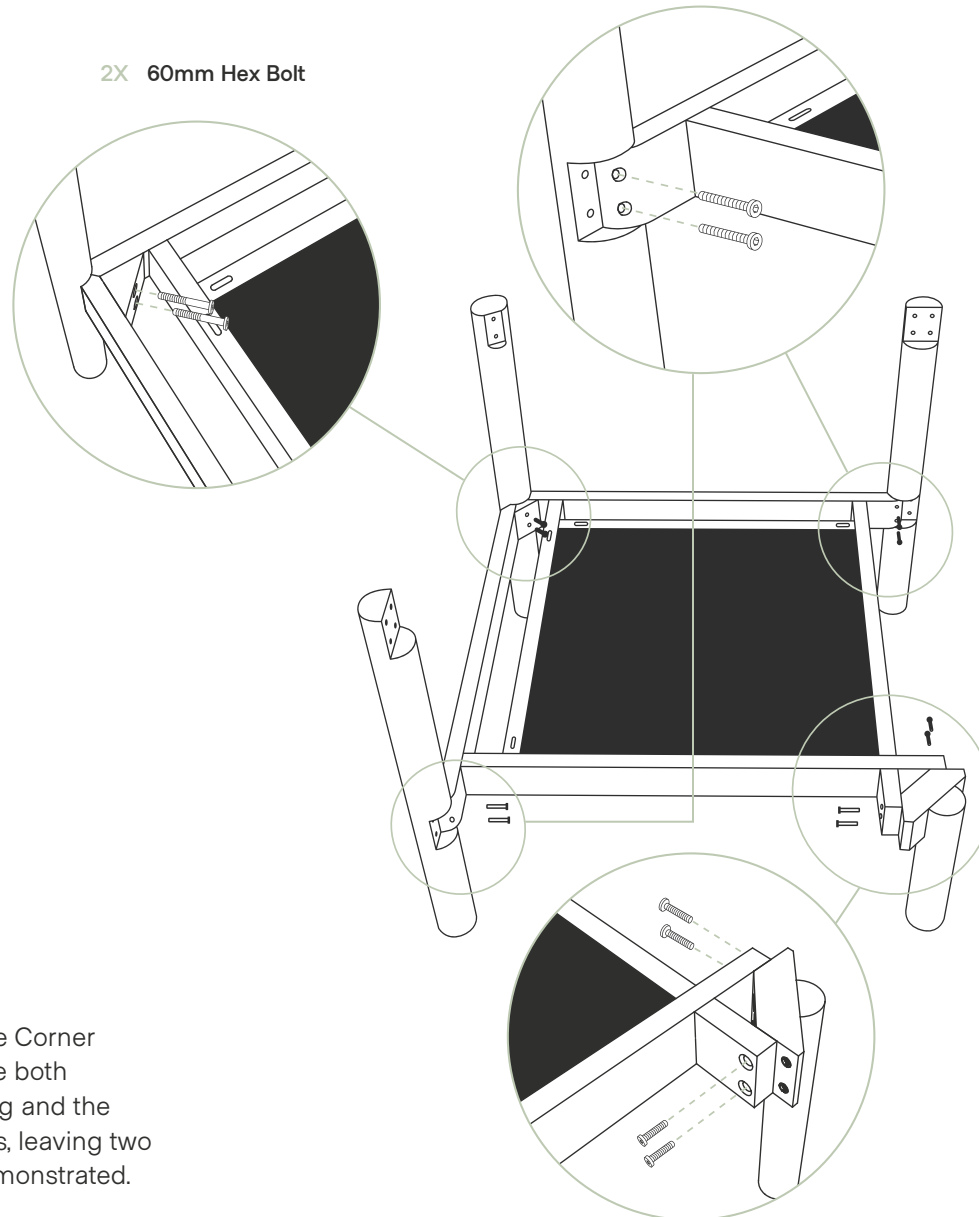
# 1

## Connect legs to corner base

Gently connect the Long Corner Leg, two Long Legs, and the Short Corner Leg to the Corner Module Base.

4X 30mm Hex Bolt

2X 60mm Hex Bolt

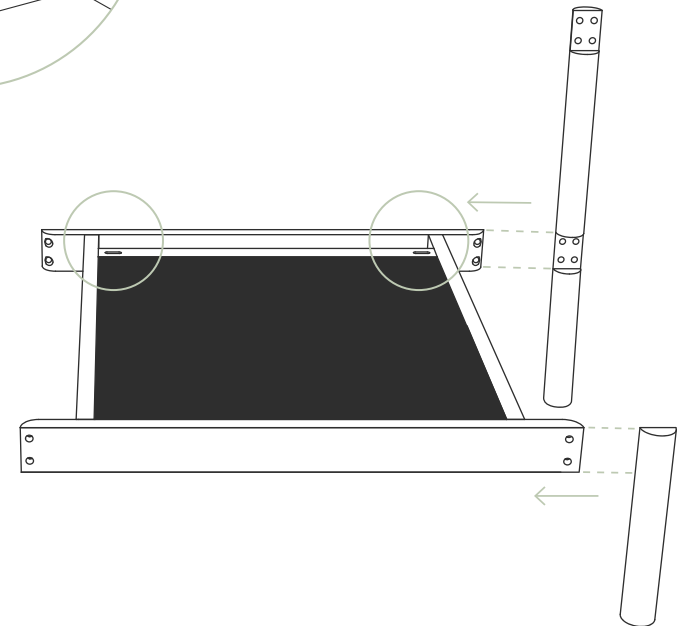
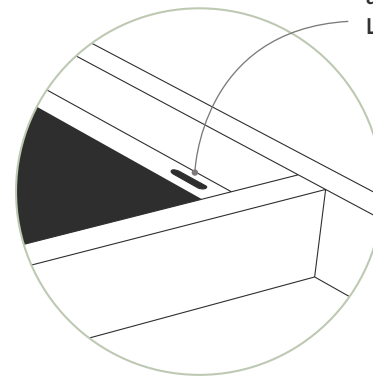


4X 30mm Hex Bolt

## 2 Fasten legs to corner base

Using the Allen Wrench provided, fasten the Corner Leg with two 60mm Hex Bolts. Then, secure both Long Legs with two 30mm Hex Bolts per leg and the Short Corner Leg with four 30mm Hex bolts, leaving two threaded holes on each leg exposed as demonstrated.

Backrest slots should align with the Long Leg, as shown

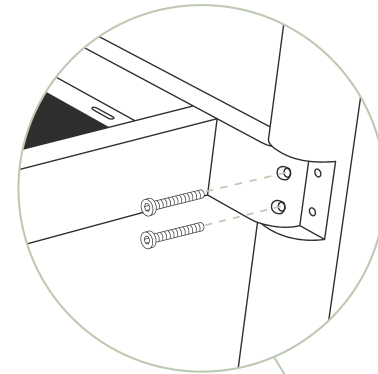


# 3

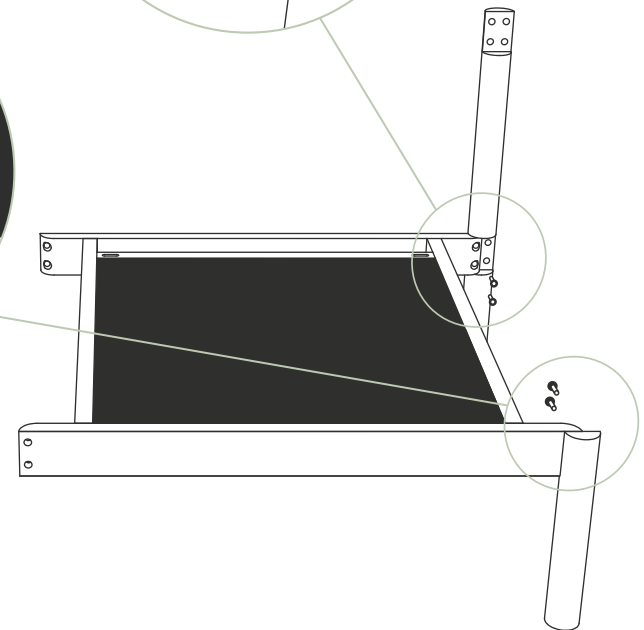
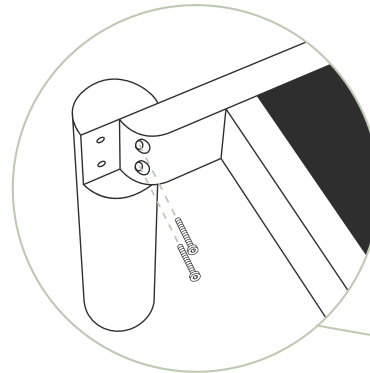
## Connect legs to right side of base

Gently connect the Long and Short Legs to the right side of the Module Base, verifying that the backrest slots are aligned with the Long Leg.

2X 30mm Hex Bolt



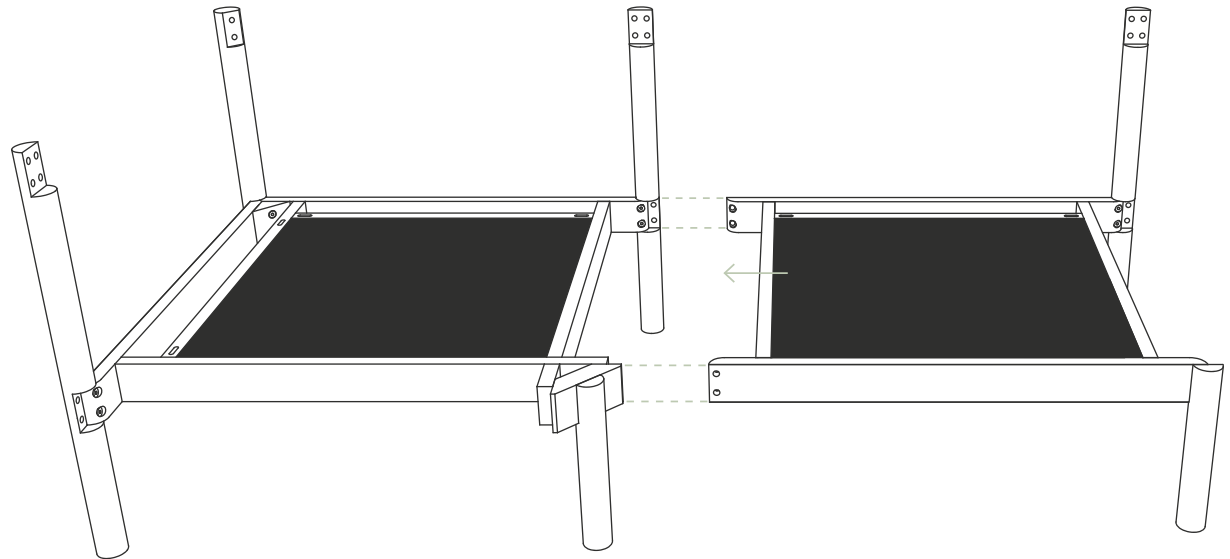
2X 30mm Hex Bolt



4

## Fasten legs to base

With the Allen Wrench provided, fasten the Short Leg to the Module Base with two 30mm Hex Bolts. Repeat with Long Leg. Be sure to leave two threaded holes on each leg exposed as demonstrated.



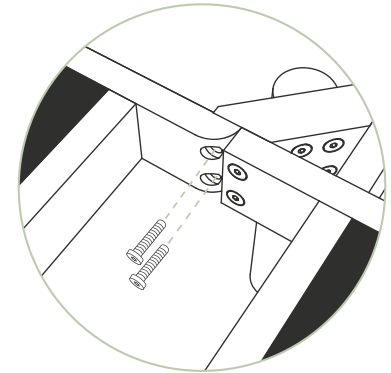
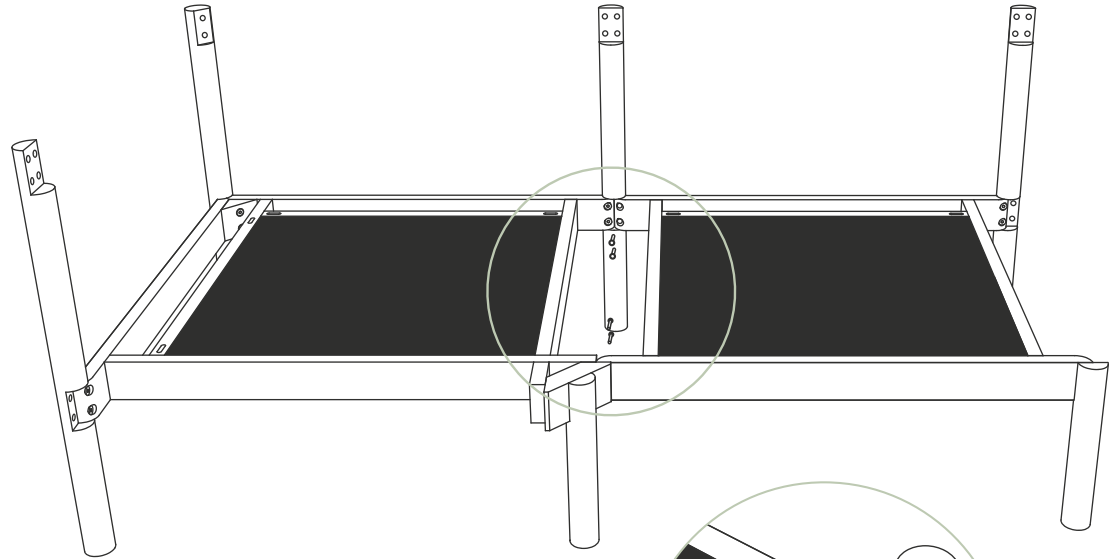
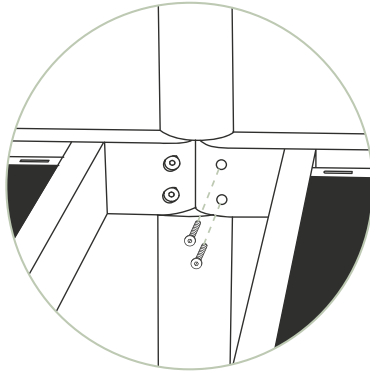
# 5

## Connect bases

Gently slide Module Base into the slotted sections on the assembled corner component's Long and Short Legs. Slide base until its pre-drilled holes align with the threaded holes on the legs.



2X 30mm Hex Bolt

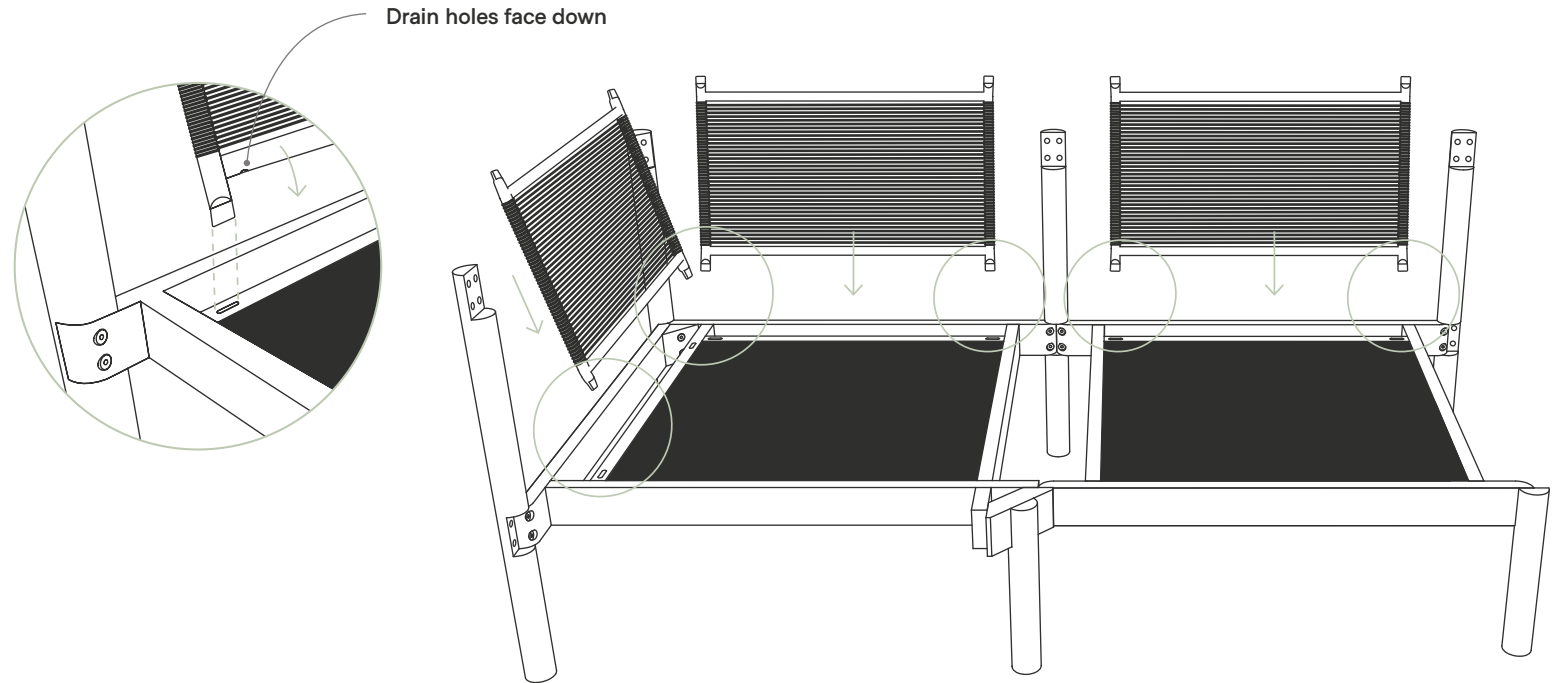


2X 30mm Hex Bolt

## 6

## Fasten bases

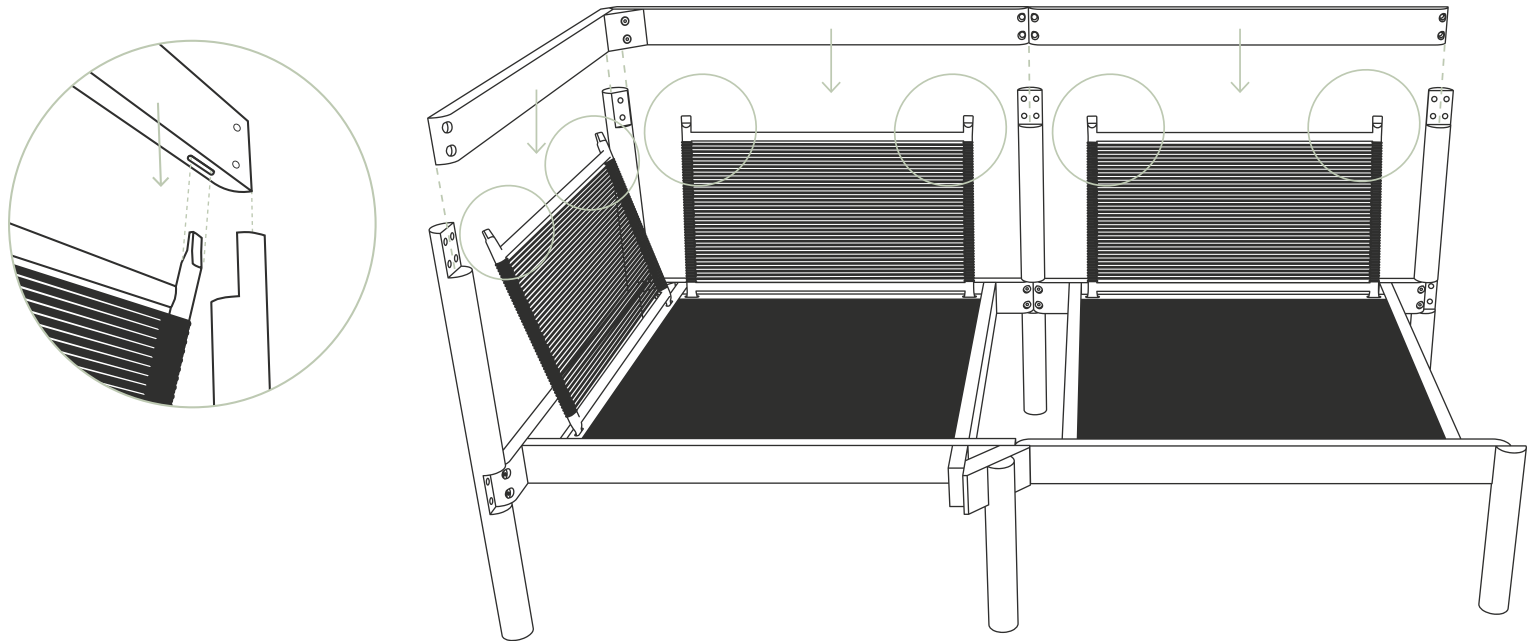
After holes on the bases are aligned with the corresponding threaded holes on each leg, use the Allen Wrench provided to fasten them together with two 30mm Hex Bolts per side.



# 7

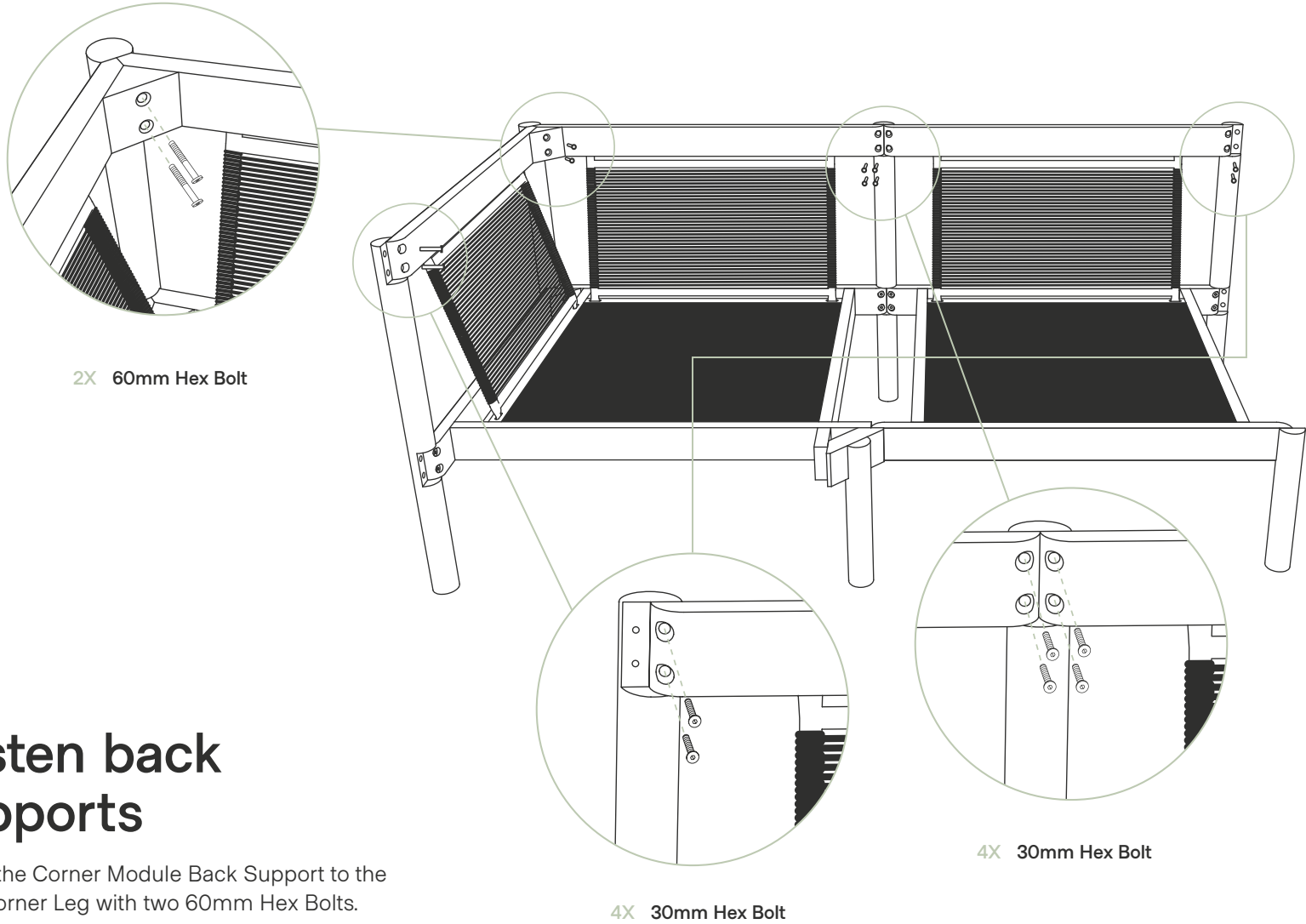
## Secure roped backs to bases

Insert the Module Roped Back into the slots of the Module Base. Then, insert the Corner Module Roped Backs into the slots of the Corner Module Base.



## Attach back supports to roped backs

Lower the Module Back Support onto the Module Roped back and the Corner Module Back Support onto the Corner Module Roped Backs. Fit the tabs into their corresponding slots, then insert.

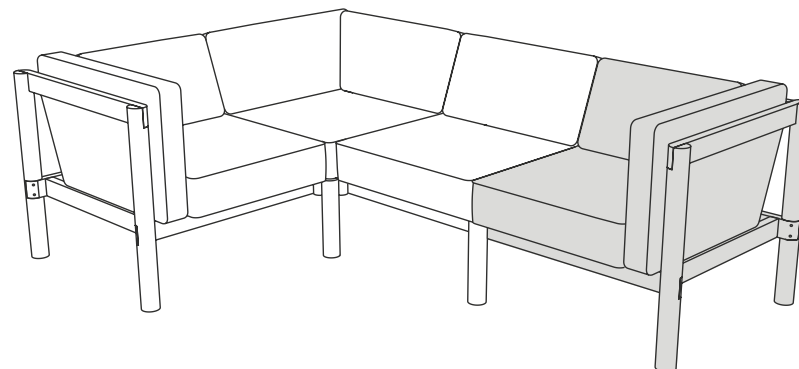


## 9

## Fasten back supports

Fasten the Corner Module Back Support to the Long Corner Leg with two 60mm Hex Bolts. Then, fasten the back supports to the three remaining Long Legs with eight 30mm Hex Bolts.

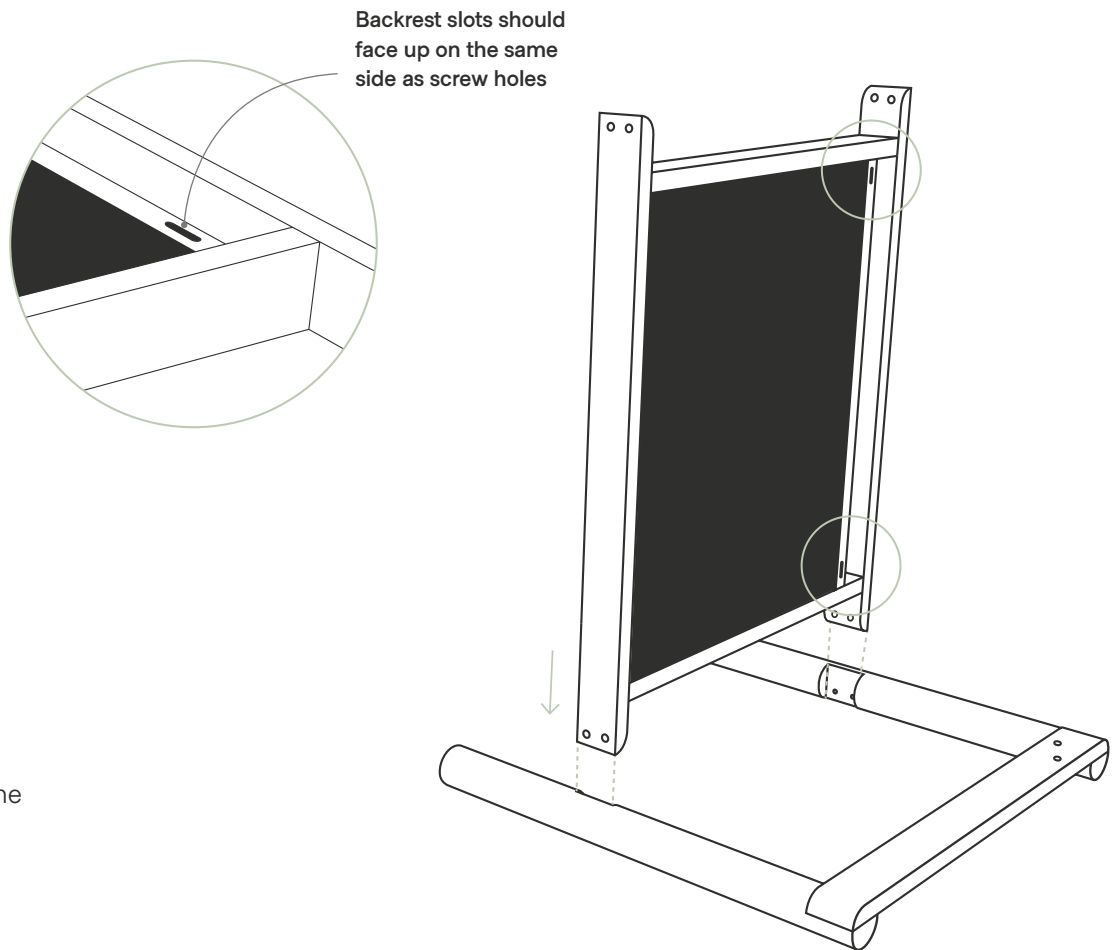
# Right Arm



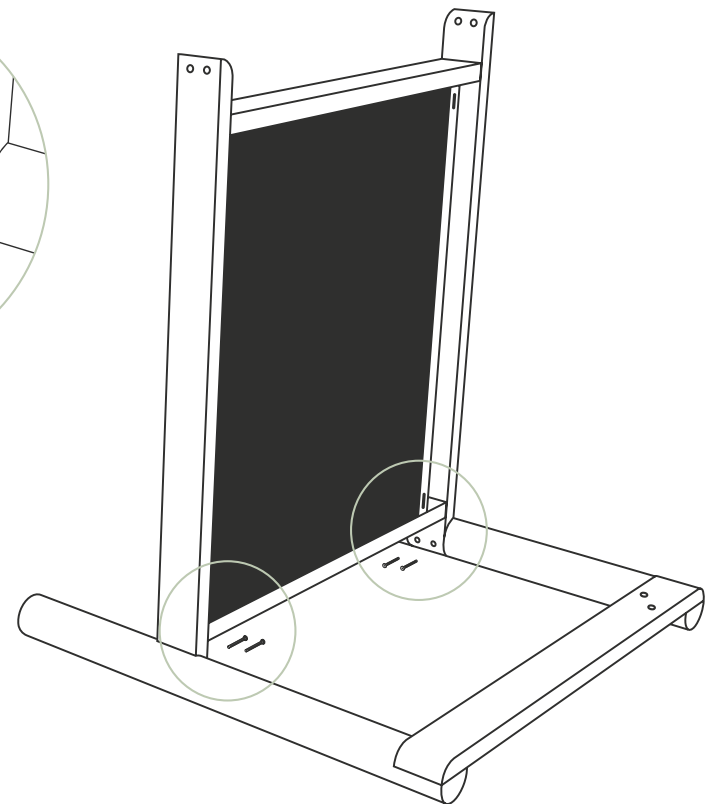
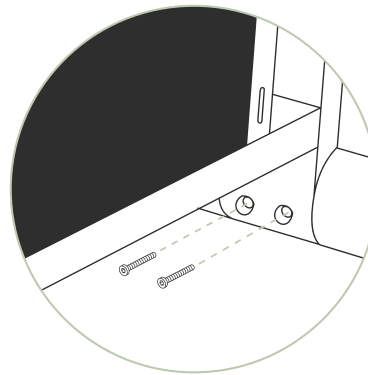
1

## Connect base to right arm

Place the Right Arm on a soft surface with the screw holes facing up. Gently slide the Arm Module Base into the arm's inner slots.



4X 30mm Hex Bolt



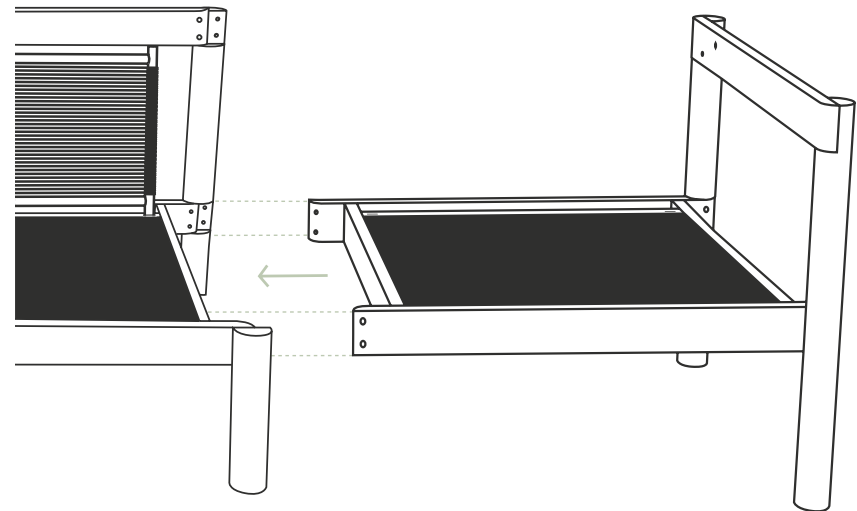
## 2 Fasten arm to base

Using the Allen Wrench provided, fasten the Arm Module Base to the Right Arm with two 30mm Hex Bolts per side.

## 3

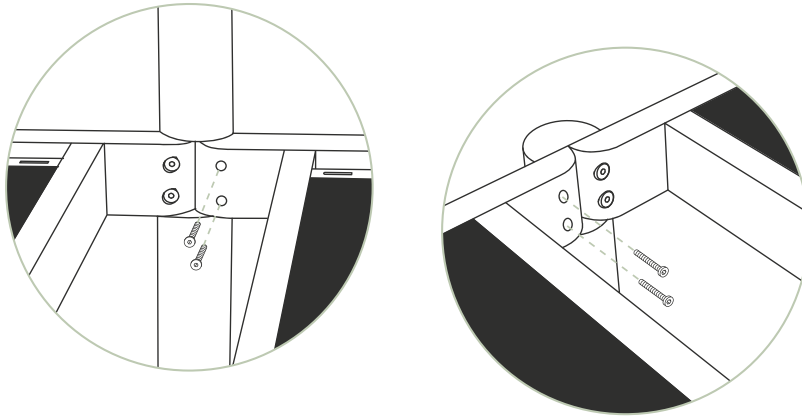
## Connect bases

Gently slide assembled components together. Slide base until its pre-drilled holes align with the threaded holes on the legs.





2X 30mm Hex Bolt

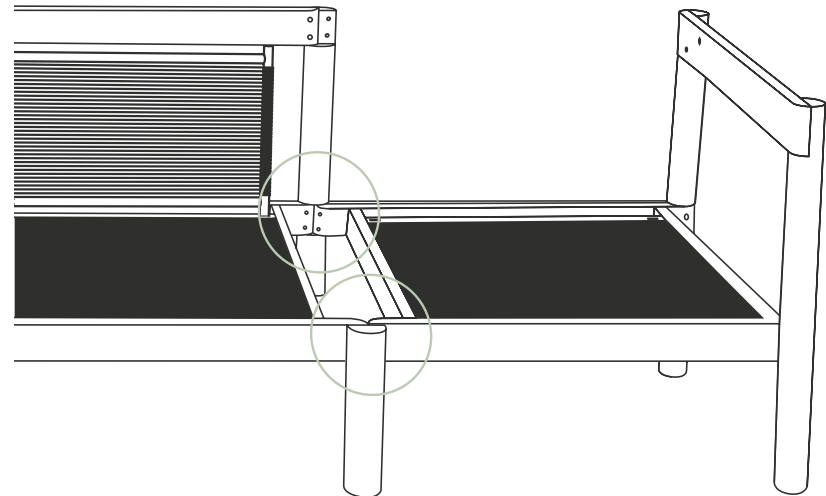


2X 30mm Hex Bolt

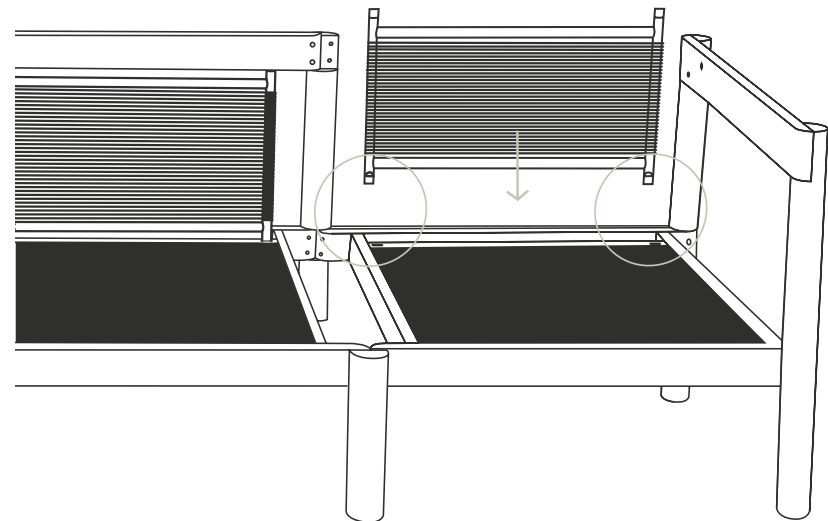
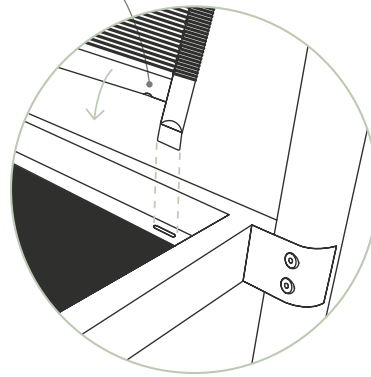
4

## Fasten bases

After holes on the bases are aligned with the corresponding threaded holes on each leg, use the Allen Wrench provided to fasten them together with two 30mm Hex Bolts per side.



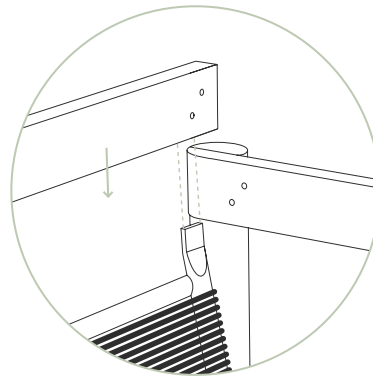
Drain holes face down



# 5

## Secure roped back to base

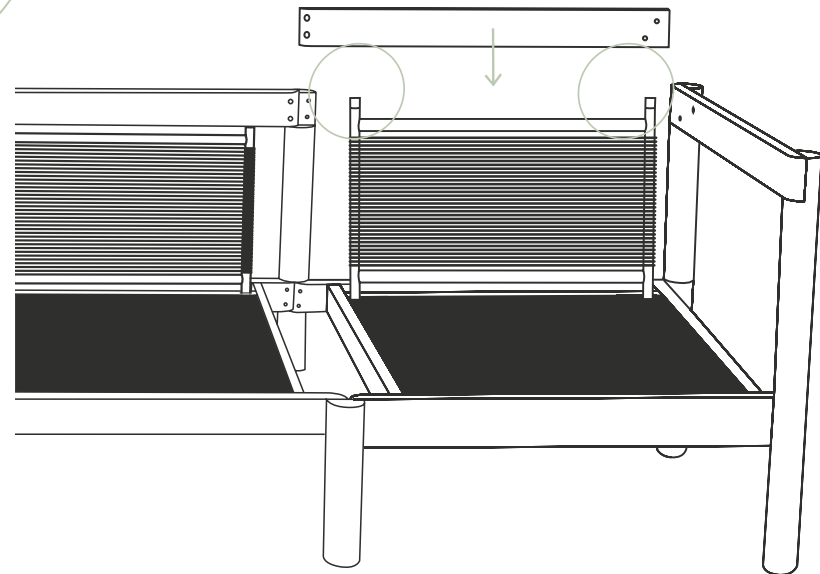
Insert the Arm Module Roped Back into the slots of the Arm Module Base.



## 6

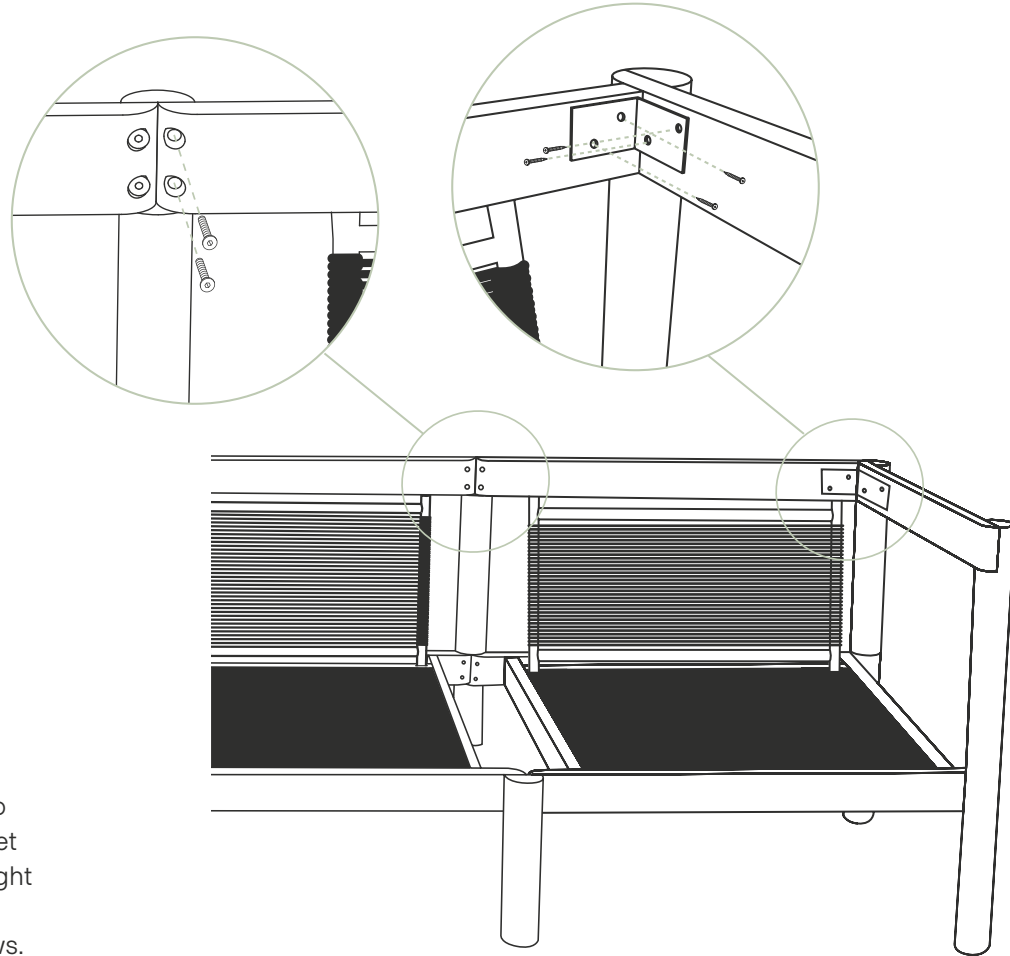
## Attach back support to roped back

Lower the Right Arm Module Back Support onto the Arm Module Roped Back by fitting the tabs into their corresponding slots, then insert.



2X 30mm Hex Bolt

4X Phillips Head Screw

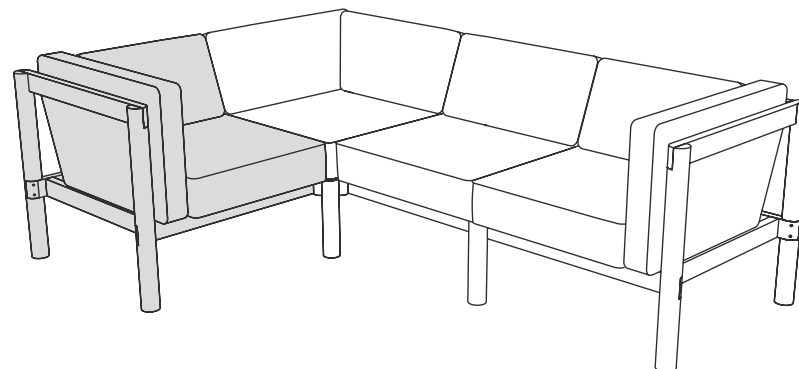


## 7

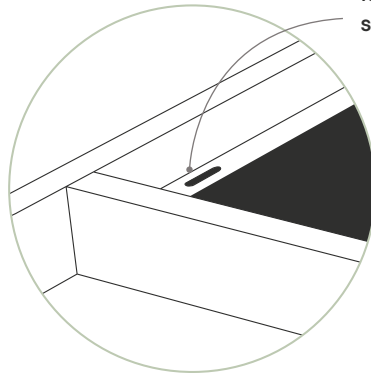
## Fasten back supports

Fasten the back support to the Long Leg with two 30mm Hex Bolts. Align the holes on the L-Bracket to the pre-drilled holes on the Right Arm and Right Arm Module Back Support. With a Phillips Head Screwdriver, fasten with four Phillips Head Screws.

# Left Arm



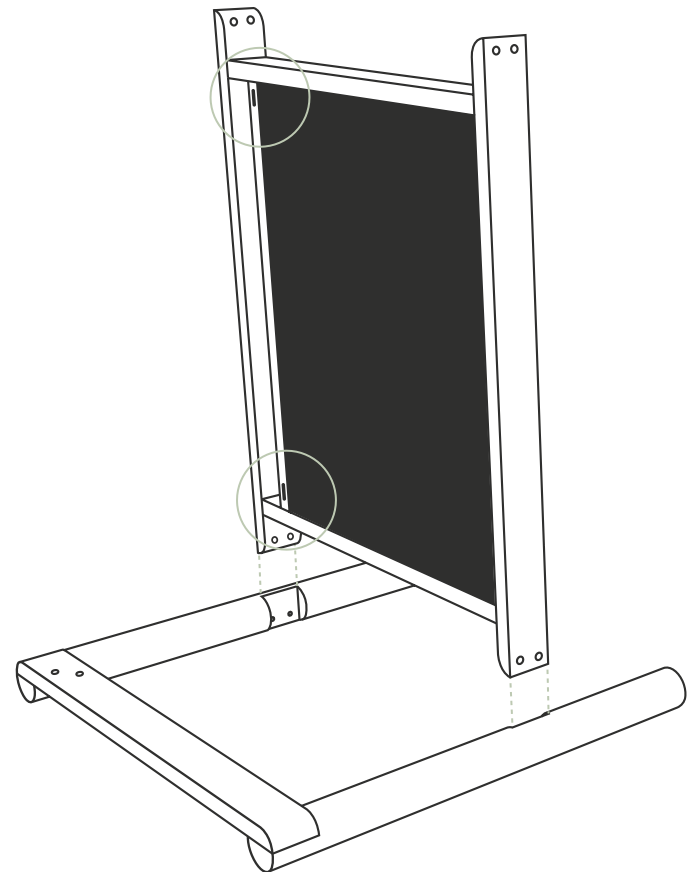
Backrest slots should  
face up on the same  
side as screw holes



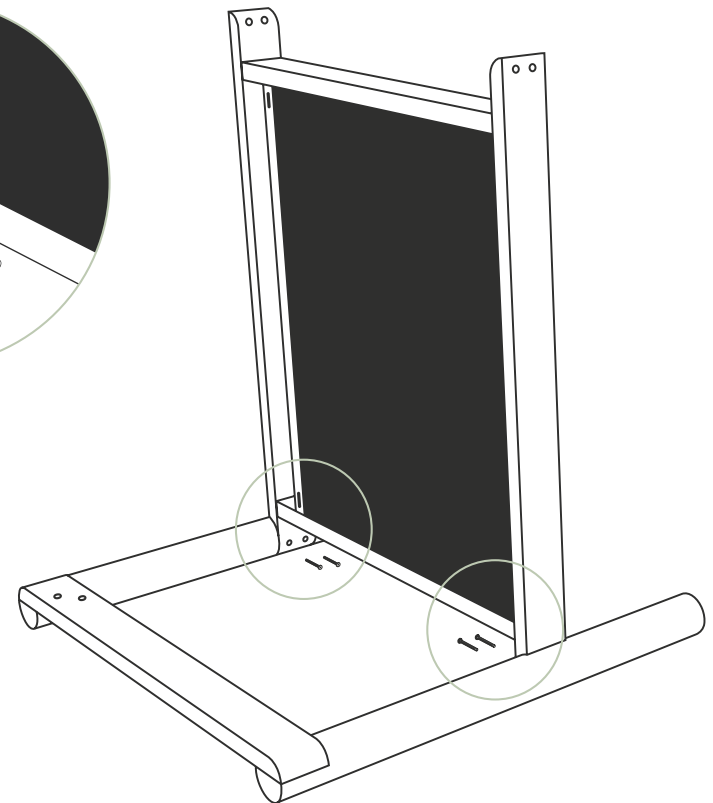
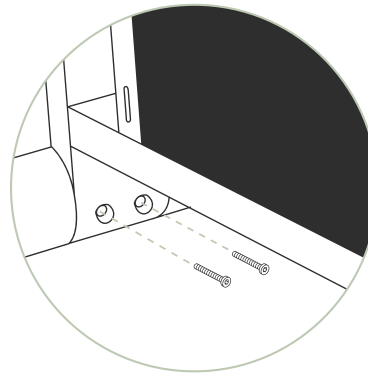
# 1

## Connect base to left arm

Place the Left Arm on a soft surface with the screw holes facing up. Gently slide the Arm Module Base into the arm's inner slots.



4X 30mm Hex Bolt



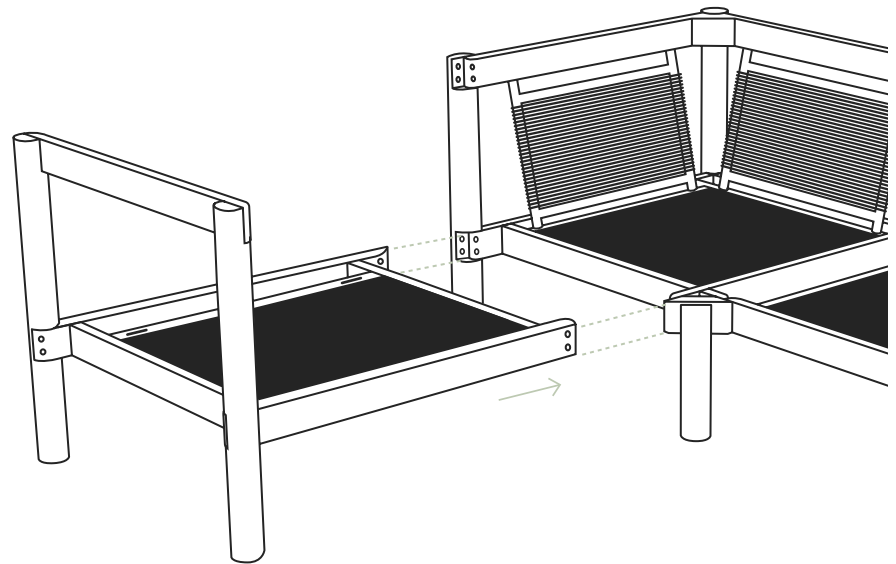
## 2 Fasten arm to base

Using the Allen Wrench provided, fasten the Arm Module Base to the Left Arm with two 30mm Hex Bolts per side.

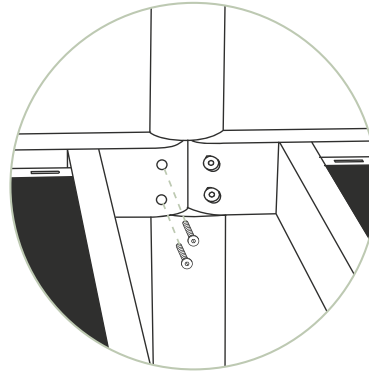
# 3

## Connect base to corner

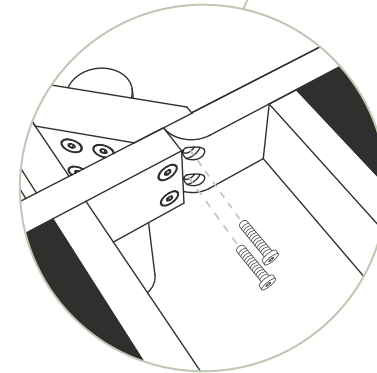
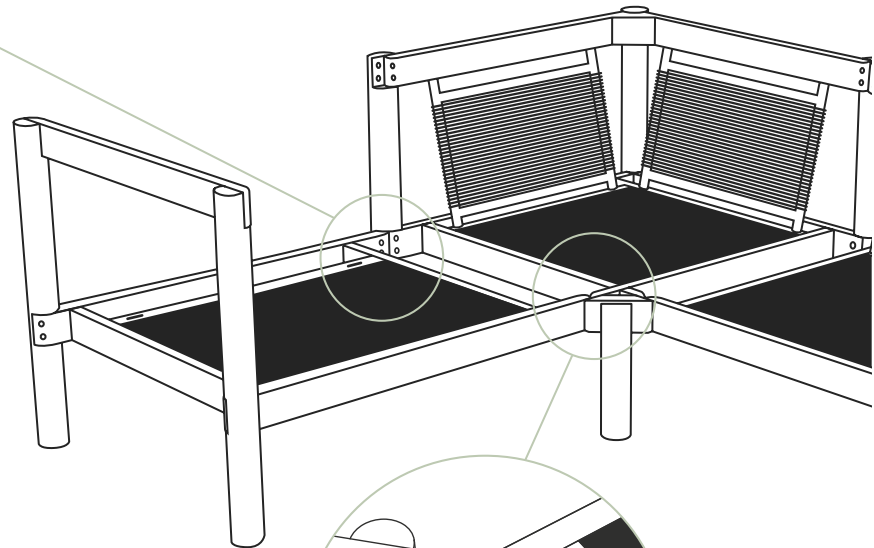
Gently slide the assembled components into the corner component. Slide base until its pre-drilled holes align with the threaded holes on the legs.







2X 30mm Hex Bolt

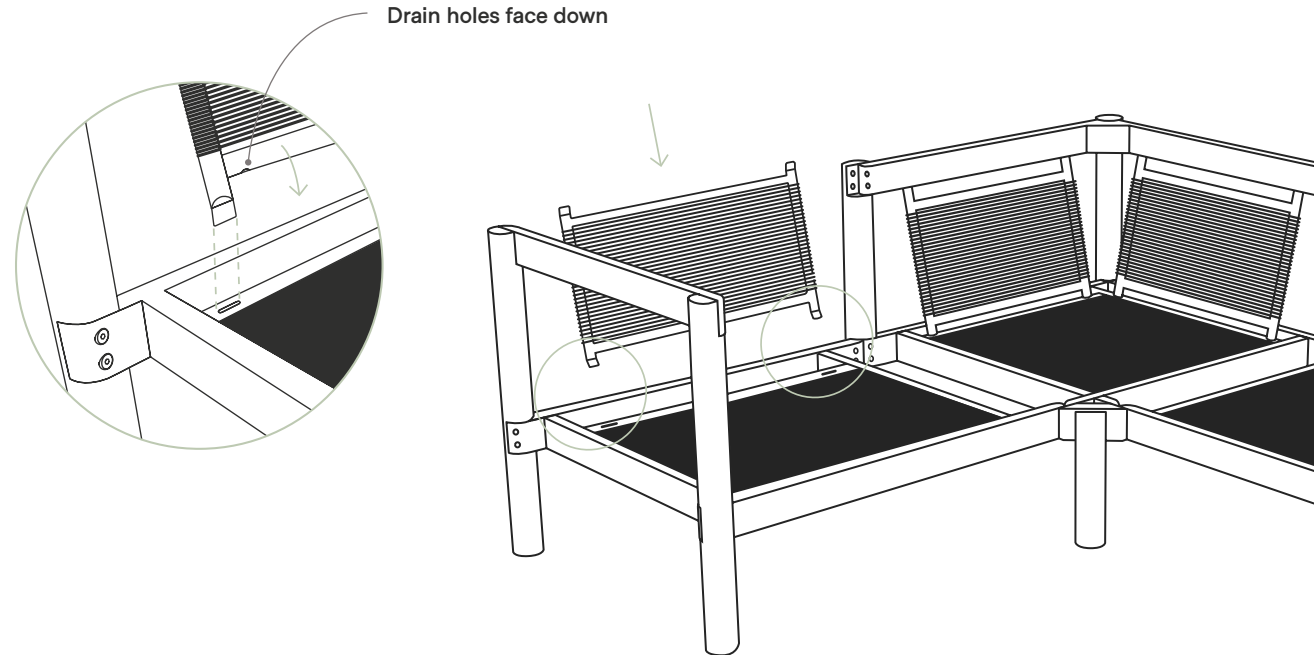


2X 30mm Hex Bolt

# 4

## Fasten bases

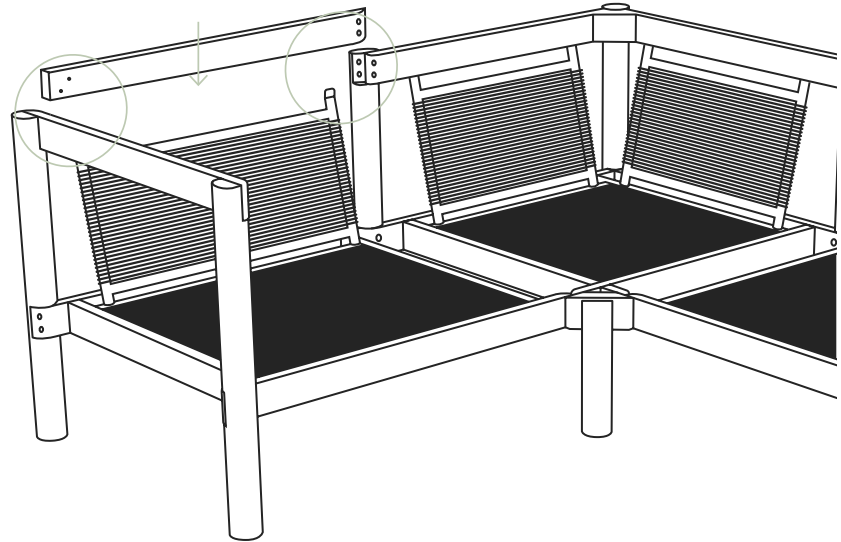
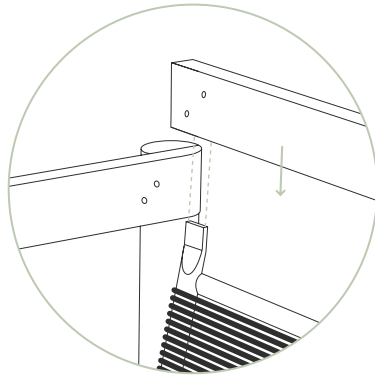
After holes on the bases are aligned with the corresponding threaded holes on each leg, use the Allen Wrench provided to fasten them together with two 30mm Hex Bolts per side.



# 5

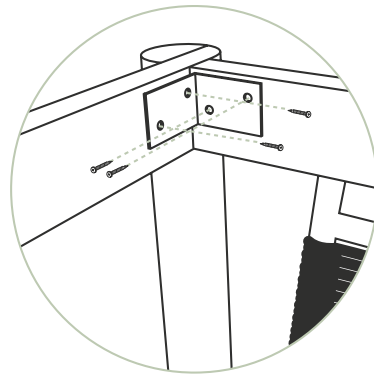
## Secure roped back to base

Insert the Arm Module Roped Back into the slots of the Arm Module Base.

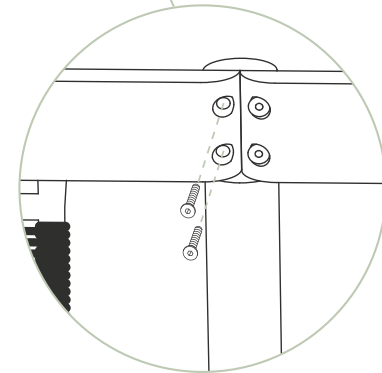
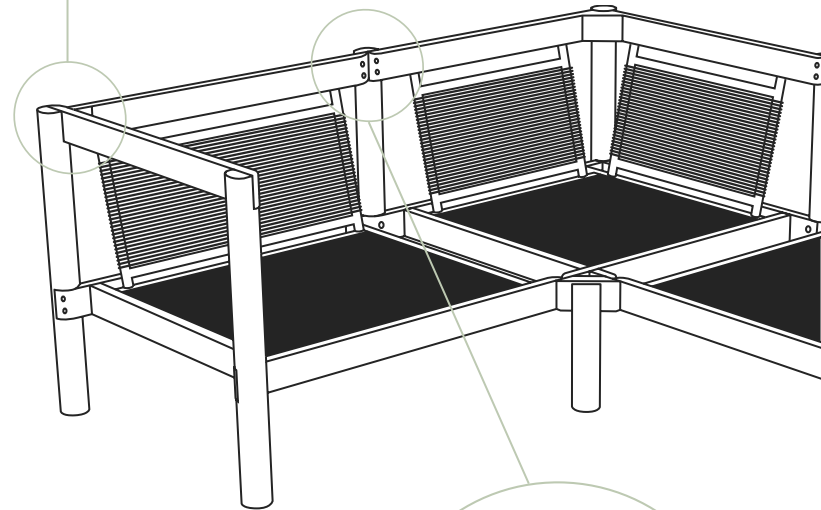


## 6 Attach back support to roped back

Lower the Left Arm Module Back Support onto the Arm Module Roped Back by fitting the tabs into their corresponding slots, then insert.



4X Phillips Head Screw

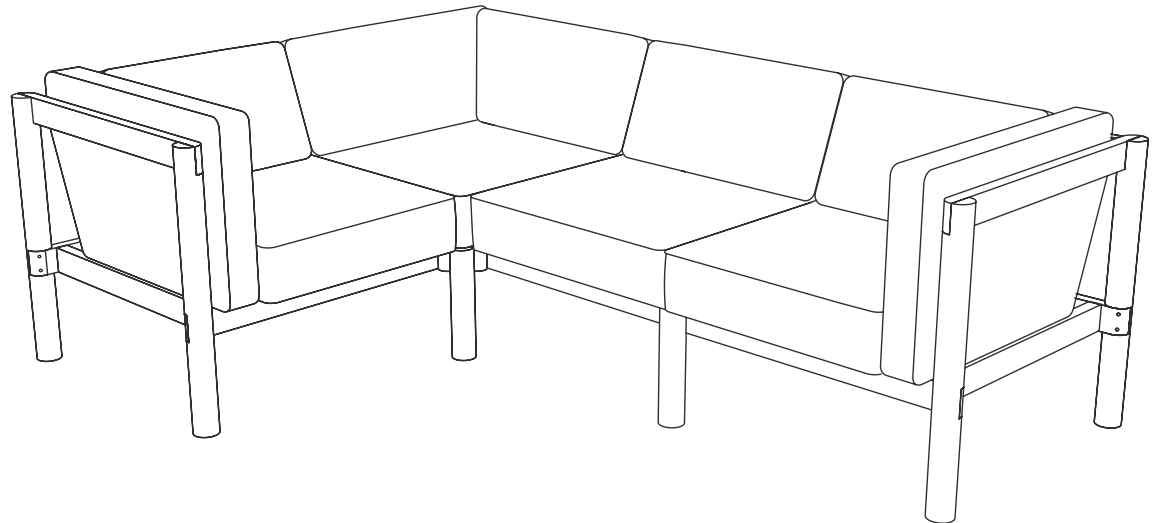
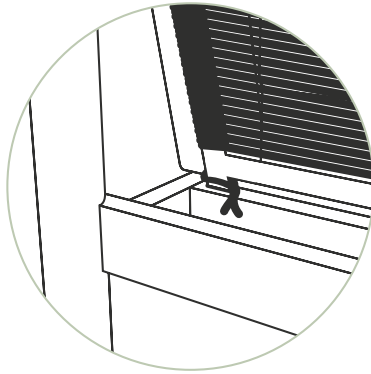


2X 30mm Hex Bolt

# 7

## Fasten back support

Fasten the back support to the Long Leg with two 30mm Hex Bolts. Align the holes on the L-Bracket to the pre-drilled holes on the Left Arm and Left Arm Module Back Support. With a Phillips Head Screwdriver, fasten with four Phillips Head Screws.



## 8

## Add cushions

With the zipper seams facing back, add both the Arm Cushions. Tie the cushions to the roped back posts as shown. Then add Base, Back, and the Corner Cushions. Relax! You're ready to enjoy your sectional.

# Contact

Have a question, comment, feedback?  
We love hearing from customers.

[support@hineighbor.com](mailto:support@hineighbor.com)  
[hineighbor.com](http://hineighbor.com)

*neighbor*