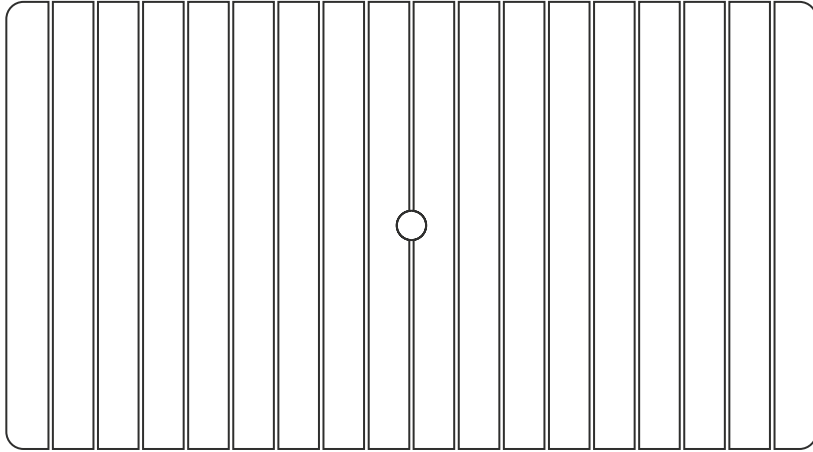


# 6-Seat Dining Table

Assembly Guide

*neighbor*

# Parts



**1X Dining Top**

Rectangular Dining Table Box



**4X Legs**

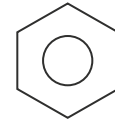
Rectangular Dining Table Box

# Hardware



**4X Flat Washer**

Rectangular Dining Table Box



**4X Hex Nut**

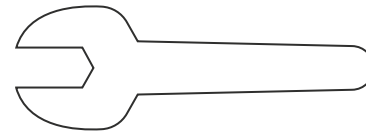
Rectangular Dining Table Box



**4X Spring Washer**

Rectangular Dining Table Box

# Tools



**1X Wrench**

Rectangular Dining Table Box

## Assembly Tips

### **Use caution when lifting**

Two-person lift is recommended. The boxes and product are both large and heavy.

### **Lay everything out before you begin**

Getting familiar with all the components before assembly will make for a faster and easier assembly process.

### **Assemble on a soft surface**

We recommend assembling your furniture on a soft surface such as a rug or a towel. The wood frame can scratch against harsh textures like brick or concrete.

### **Loose first, then tight**

Partly tighten the Hex Nuts while assembling. After the modules are fully assembled, tighten the bolts firmly. Keep in mind humidity levels can slightly affect how the pieces fit together.

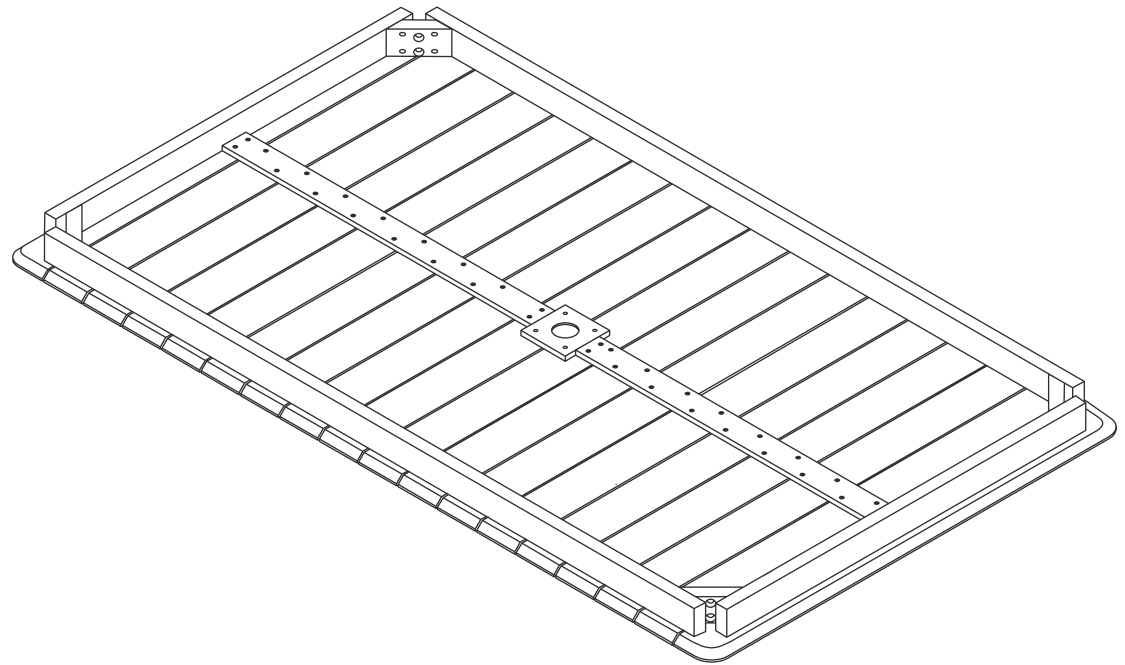
## Product Care

### **Caring for teak**

Unfinished teak will gradually change color from honey gold to a silver-gray patina. We encourage allowing the teak to turn color naturally and cleaning it annually or bi-annually. As for cleaning, we recommend Golden Teak Cleaner, which is specifically designed to kill mold and mildew spores inside teak.

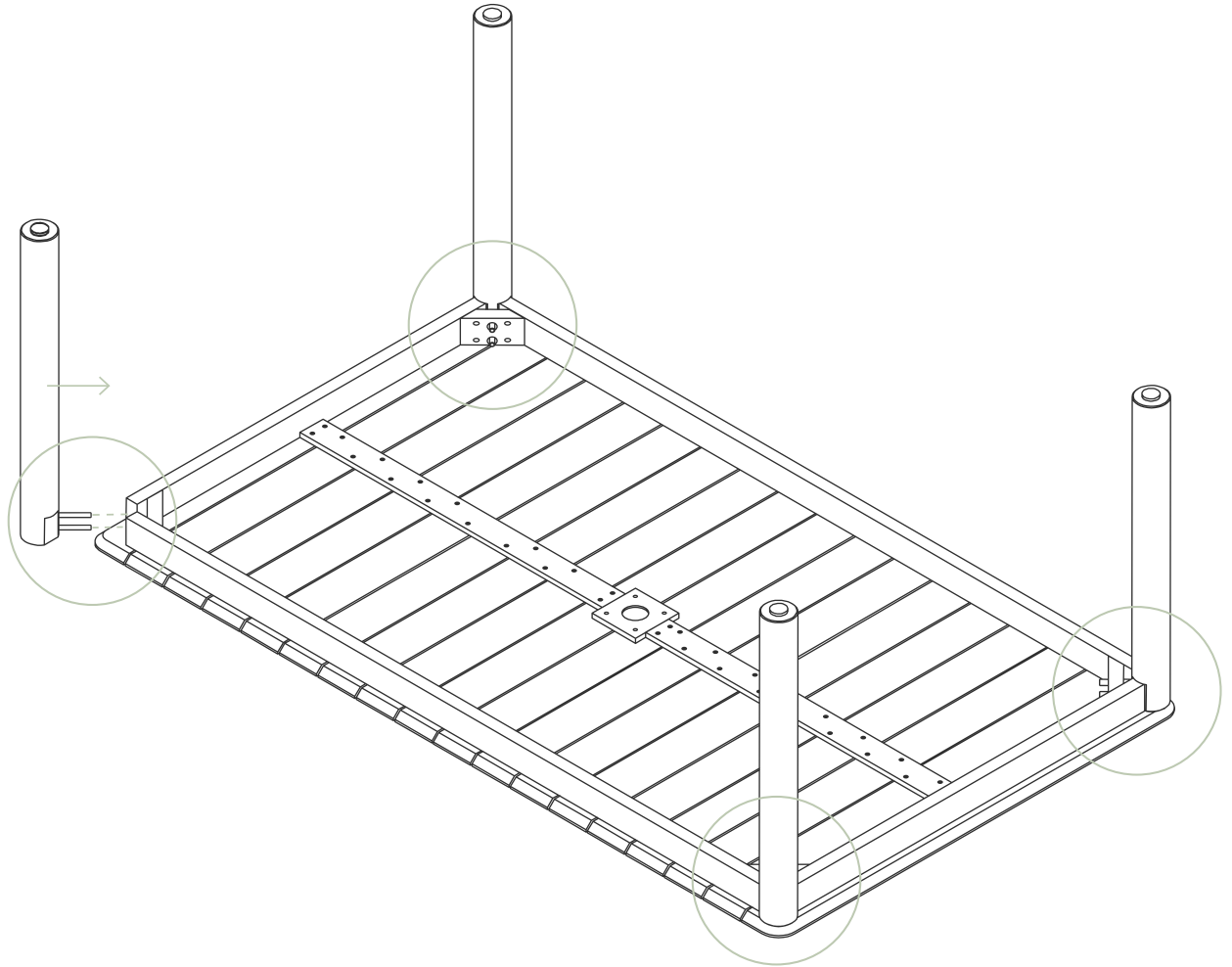
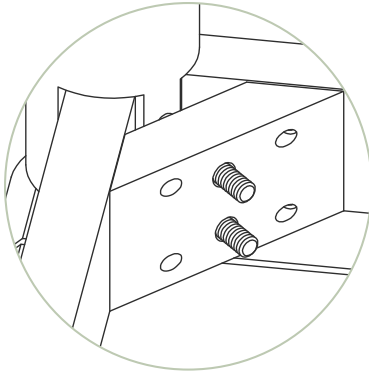
Avoid prolonging mildew growth. If left in the shade for extended periods, this can be common. If you live in a particularly humid or rainy climate, keep a closer eye on mildew growth and clean as needed.

Covering your furniture when not in use will greatly prolong the lifespan of the wood.

**1**

## Place top face down

Place Dining Top on a soft surface facing down.

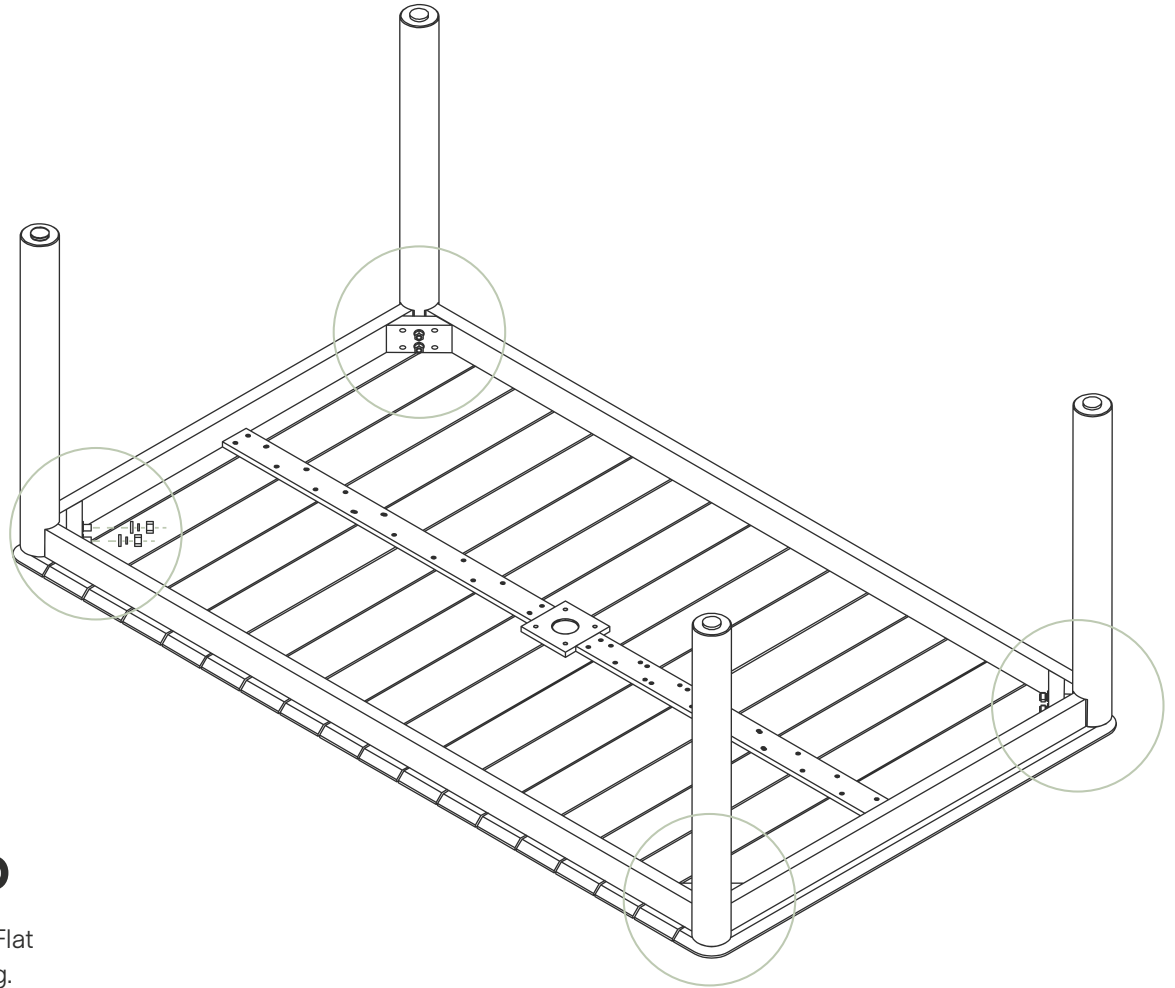
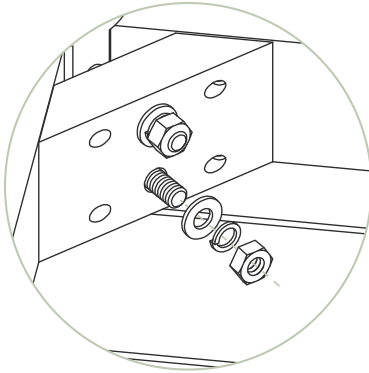


# 2

## Connect legs to top

Gently align legs with the threaded holes on the Dining Top.

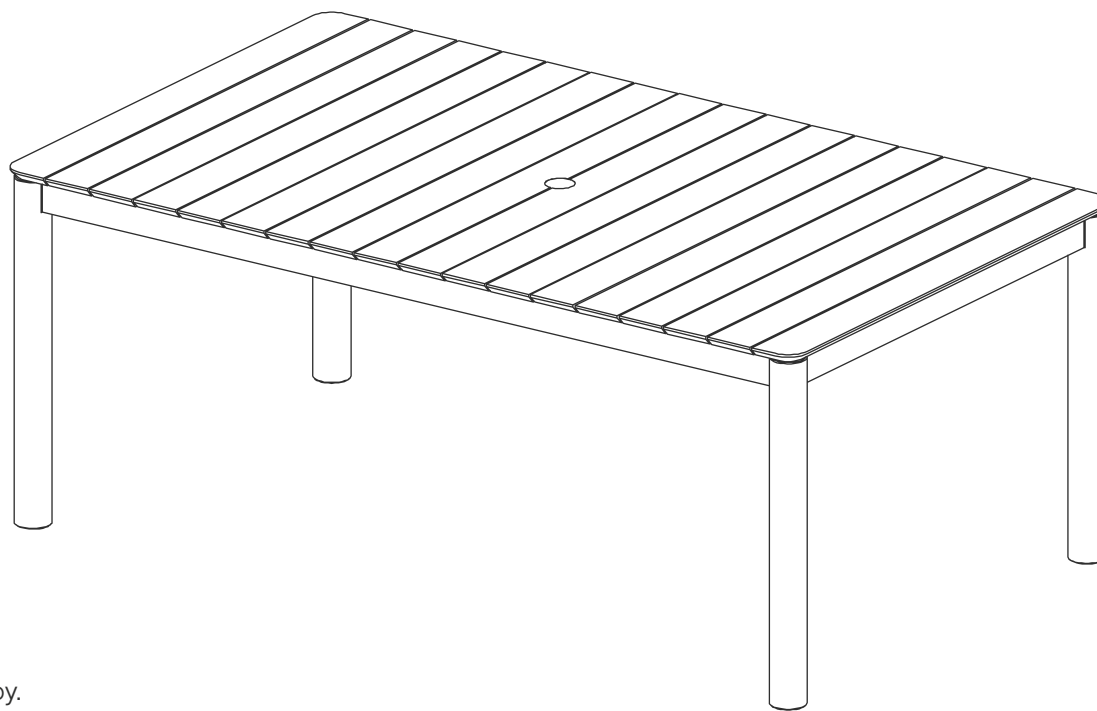
- 4X Flat Washer
- 4X Spring Washer
- 4X Hex Nut



# 3

## Fasten legs to top

Fasten the legs to the Dining Top with one Flat Washer, Spring Washer, and Hex Nut per leg.



4

## Complete

Stand upright and your table is ready to enjoy.

# Contact

Have a question, comment, feedback?  
We love hearing from customers.

[support@hineighbor.com](mailto:support@hineighbor.com)  
[hineighbor.com](http://hineighbor.com)



*neighbor*