

The Coffee Table

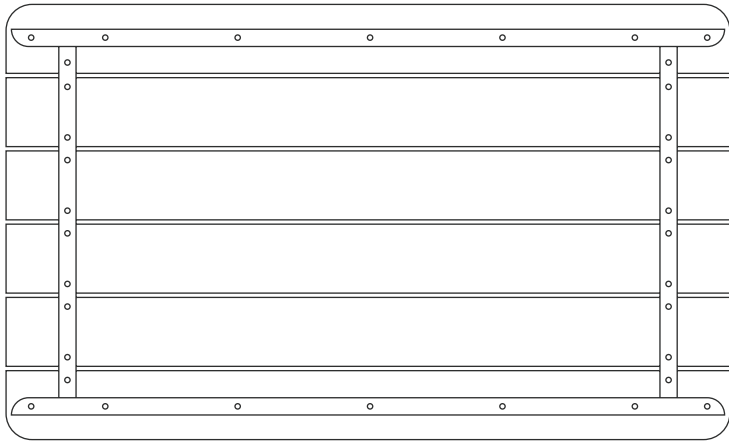
Assembly Guide

BOXES NEEDED:

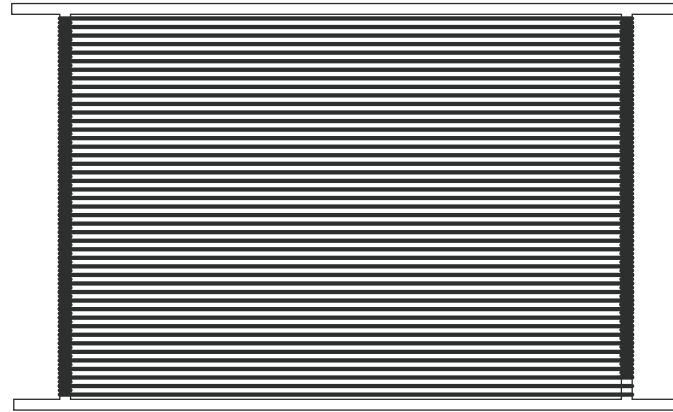
(1) The Coffee Table

neighbor

Parts



1X Table Surface



1X Roped Shelf



2X Leg (A)



2X Leg (B)

Hardware



8X Hex Bolt

Tools



1X Allen Wrench

Assembly Tips

Exercise caution while lifting

Two-person lift is recommended. Both the box and the product itself are large and heavy and awkward to lift alone.

Lay everything out before you begin

Spreading all of the components out prior to assembling them will help you find the parts you are looking for and will make for a faster and easier assembly process!

Assemble on a soft surface

We recommend assembling your furniture on a soft surface such as a rug(s) or a towel(s). The wood can scratch easily if accidentally rubbed against harsh textures like brick or concrete.

Loose first, then tight

Do not fully tighten hex bolts when assembling. Insert them loosely first. After the modules are fully assembled, then tighten the bolts firmly. Differing humidity levels can slightly affect how the pieces fit together and this strategy should alleviate that.

Product Care

Caring for teak

Unfinished teak will gradually change color from a honey gold to a silver-grey patina. We encourage allowing the teak to turn color naturally and cleaning it annually or bi-annually. As for cleaning, we recommend Golden Teak Cleaner, which is specifically designed to kill mould and mildew spores inside teak.

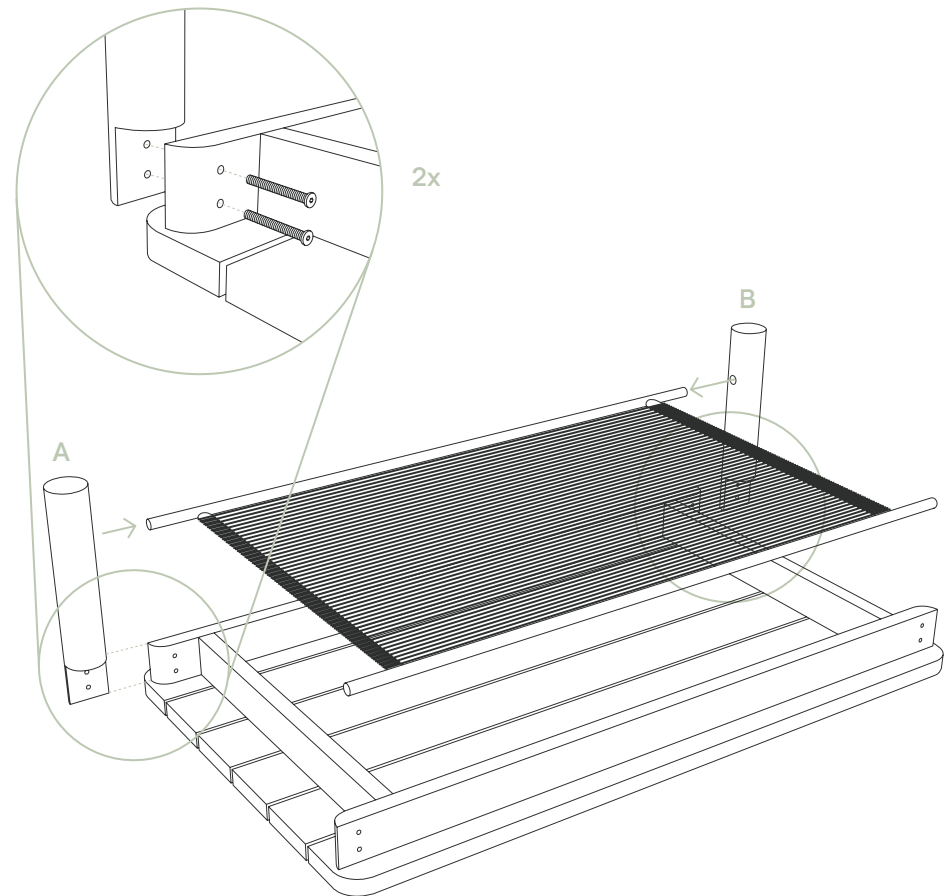
Avoid prolonging mildew growth. If left in the shade for extended periods of time, this can be common.

Covering your furniture for extended periods of time, especially if enduring consistent inclement weather will greatly prolong the lifespan of the wood.

1

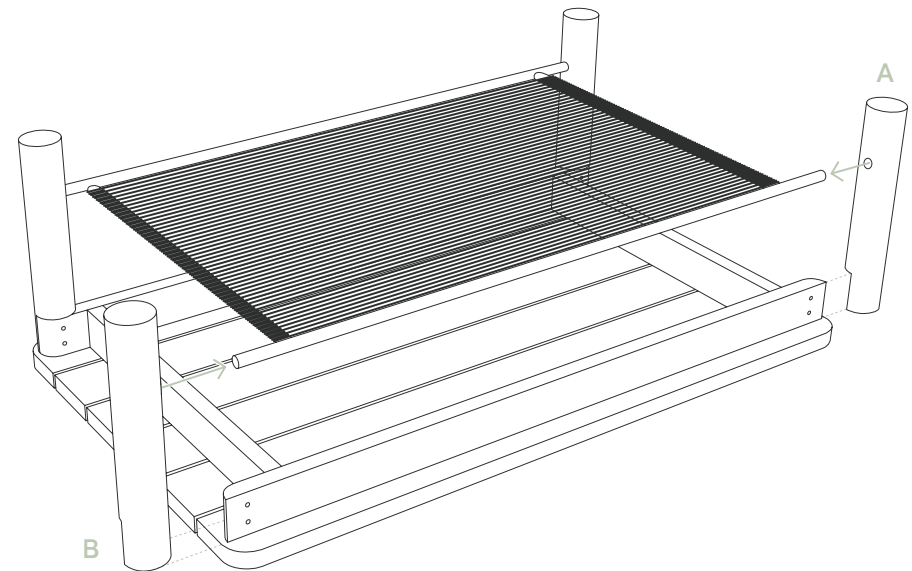
Connect legs and roped shelf

Place table surface flat on the ground. Then insert post from roped shelf into each hole in the legs. When each post is inserted, fasten each leg to the frame with two bolts.



2 Connect legs and roped shelf

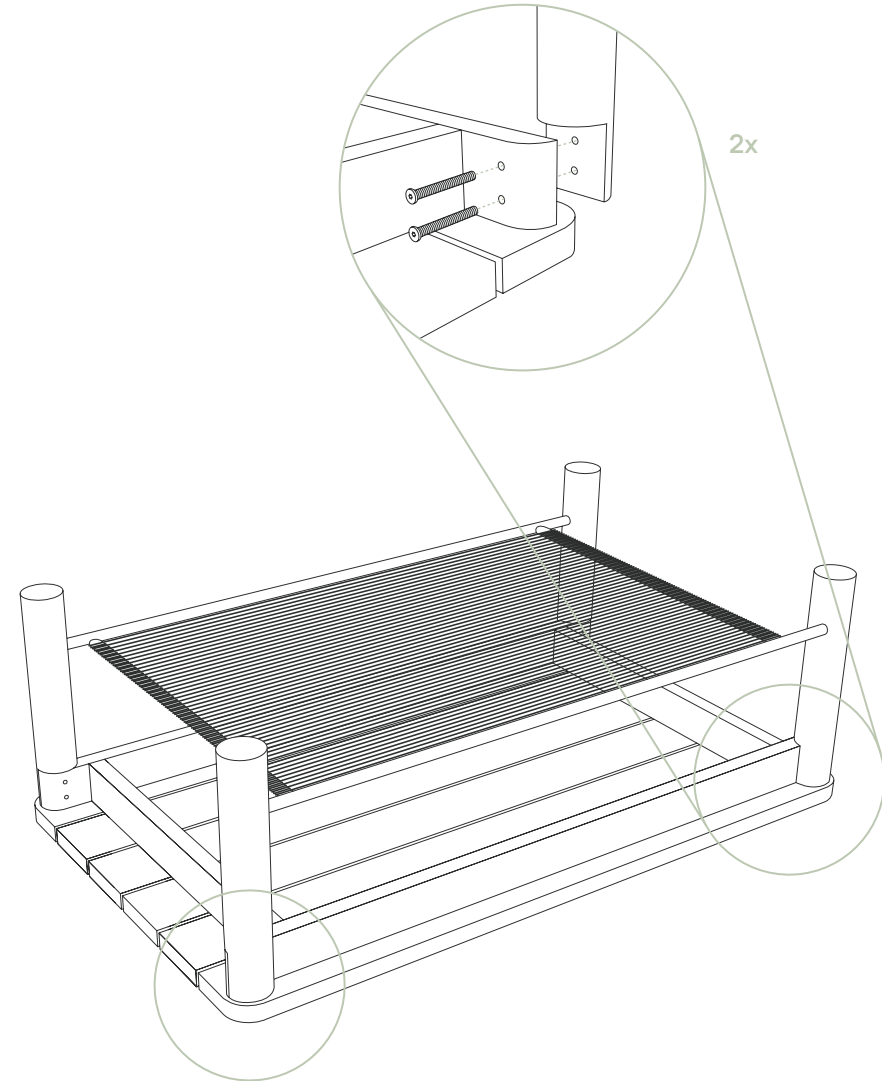
Repeat the last step by connecting legs on the opposite side of the table.



3

Fasten remaining legs

Fasten legs to table surface with two bolts per leg. For the last step, carefully flip your coffee table over to start enjoying it!



Contact

Have a question, comment, feedback?
We love hearing from customers.

support@hineighbor.com
hineighbor.com

neighbor