



Digi XBee XR 868

The Digi XBee XR family operates in the 863-870 MHz range, delivering superior performance and interference immunity at 868 MHz

The **Digi XBee® XR 868** module is a compact and reliable solution supporting deployment of long-range connectivity applications in the European region. The pre-certified module operates between 863 and 870 MHz in compliance with European standards.

The module supports both point-to-point and mesh networking protocols, with a line-of-sight range of over 14 kilometers. It is well suited for agriculture and energy applications where long-distance communication is required.

INTELLIGENT INTERFERENCE MANAGEMENT

Digi XBee XR 868 also leverages 868 MHz and surrounding frequencies for LBT + AFA (Listen Before Talk and Adaptive Frequency Agility). This significantly reduces interference by listening to the radio environment before any transmission starts, and automatically shifting to a new channel when interference is detected. This patented frequency scan occurs automatically and in a matter of microseconds so as not to impact performance.

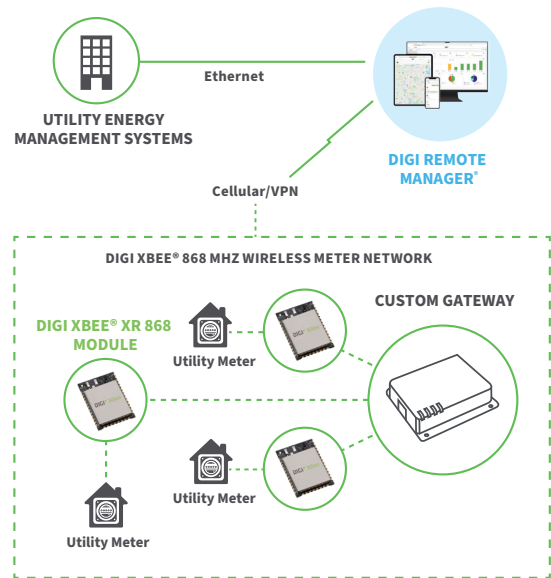
ACCELERATE DEVELOPMENT WITH DIGI XCTU

The Digi XBee XR 868 RF module is a complete hardware and software solution that works directly out of the box. **Digi XCTU®**, Digi's easy-to-use RF configuration tool, reduces development time from months to weeks, ensuring your product gets to market fast.

Key features, benefits and applications

- Low-power CE/RED certified 868 MHz RF module based on Silicon Labs EFR32 microcontroller
- Design includes SAW filter for optimal performance in noisy RF environments
- Listen-Before-Talk and Frequency Agility for optimal interference immunity
- **DigiMesh®** networking topology for redundancy and reliability
- Simple configuration using Digi XCTU accelerates time to market

APPLICATION EXAMPLE



Need custom gateway engineering support?
Contact Digi Wireless Design Services.

Related Digi devices



Modules



Development Kits



Gateways

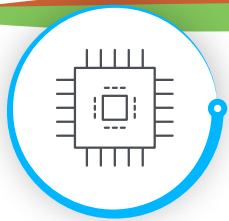


Digi XCTU



Digi Remote Manager

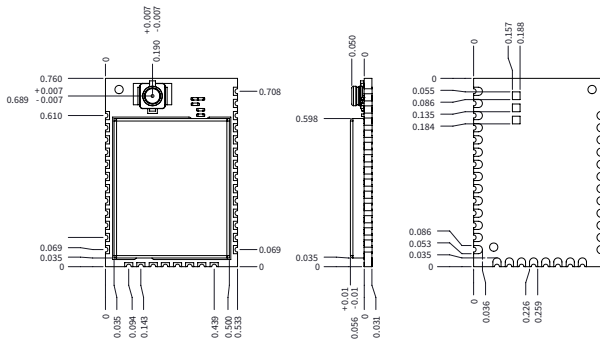
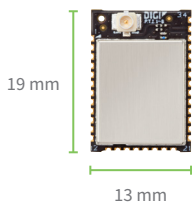
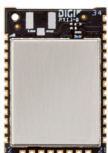




DIGI XBEE XR 868 DEVICE

Specifications

SPECIFICATIONS	DIGI XBEE XR 868
HARDWARE	
PROCESSOR	EFR32FG13P231F512 transceiver at 40 MHz
FREQUENCY BAND	863 MHz to 870 MHz
ANTENNA OPTIONS	U.FL, RF pad
WEIGHT	1.2 grams (0.042 oz) for MMT
PERFORMANCE	
RF DATA RATE	10 kbps or 80 kbps, software selectable
UART DATA RATE	Up to 921.6 kbps
SPI DATA RATE	Up to 5 Mbps
LINE-OF-SIGHT RANGE*	Up to 14.5 km with 2.1 dBi antenna
TRANSMIT POWER	Up to 13 dBm ERP
RECEIVER SENSITIVITY	-107 dBm at 80 Kbps, -112 dBm at 10 Kbps
FEATURES	
I/O	13 digital I/O
ANALOG INPUTS	4 channels 10-bit
OPERATING TEMPERATURE	-40 °C to 85 °C (-40 °F to 185 °F)
NETWORKING TOPOLOGIES	DigiMesh, repeater
SECURITY	128-bit AES encryption
POWER	
SUPPLY VOLTAGE	1.8 - 3.6 VDC
TRANSMIT CURRENT	76 mA
RECEIVE CURRENT	26 mA
SLEEP CURRENT	185 μ A
REGULATORY APPROVALS	
ETSI (EUROPE)	CE/RED
ROHS	Compliant



*Range figure estimates are based on free-air terrain with limited sources of interference. Actual range will vary based on transmitting power, orientation of transmitter and receiver, height of transmitting antenna, height of receiving antenna, weather conditions, interference sources in the area, and terrain between receiver and transmitter, including indoor and outdoor structures such as walls, trees, buildings, hills, and mountains.



DIGI XBEE XR 868 MANAGEMENT

Digi XCTU and Digi XBee Tools

Digi XCTU

Digi XCTU is a free multi-platform application designed to enable developers to interact with Digi RF modules through a simple-to-use graphical interface. It includes a tool suite that makes it easy to set up, configure and test **Digi XBee RF modules**.

Learn more at www.digi.com/XCTU.

NEXT GENERATION CONFIGURATION PLATFORM FOR XBEE/RF SOLUTIONS

Digi XCTU includes all of the tools a developer needs to quickly get up and running with Digi XBee. This tool includes unique features like a graphical network view, which graphically represents the Digi XBee network along with the signal strength of each connection. The Digi XBee API frame builder intuitively helps to build and interpret API frames for Digi XBees being used in API mode. These and other features combine to make development on the Digi XBee platform easier than ever.

FEATURES

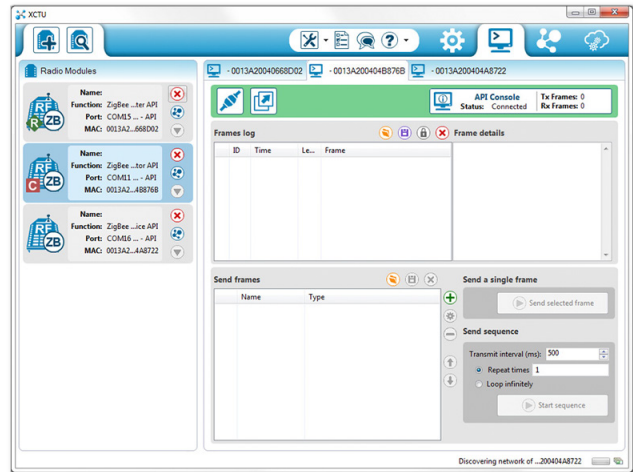
- Digi XCTU is a **free, multi-platform** application compatible with Windows, MacOS and Linux.
- It provides a **Graphical Network View** for simple wireless network configuration and architecture.
- The **API Frame Builder** is a simple development tool for quickly building Digi XBee API frames.
- The **Firmware Release Notes Viewer** allows users to explore and read firmware release notes.

Digi XBee Tools

Digi XBee Tools support the complete IoT application lifecycle, from the evaluation, testing and prototyping phase through manufacturing and deployment to long-term network management.

Digi XBee Tools offer total lifecycle management from the moment you launch development of your IoT application, through production of your configured devices, on-site installation and monitoring and management of your deployed Digi XBee network.

Learn more at www.digi.com/xbee.



ADDITIONAL HIGHLIGHTS

- You can manage and configure multiple RF devices, even remotely (over-the-air) connected devices.
- The firmware update process seamlessly restores your module settings, automatically handling mode and baud rate changes.
- Two specific API and AT consoles enable you to communicate with your radio devices.
- You can save your console sessions and load them in a different PC running Digi XCTU.
- Digi XCTU includes a set of embedded tools that can be executed without having any RF module connected:
 - Frames generator: Easily generate any kind of API frame to save its value.
 - Frames interpreter: Decode an API frame and see its specific frame values.
 - Recovery: Recover radio modules that have damaged firmware or are in programming mode.
 - Load console session: Load a console session saved in any PC running Digi XCTU.
 - Range test: Perform a range test between two radio modules of the same network.
 - Firmware explorer: Navigate through XCTU's firmware library.
- An update process allows you to automatically update the application itself and the radio firmware library without needing to download any extra files.
- Digi XCTU contains complete and comprehensive documentation which can be accessed at any time.



DIGI XBEE XR 868

Part Numbers

PART NUMBERS

DIGI XBEE XR 868

DIGI XBEE XR 868 MMT

XB-8XR-DMRM-001	Digi XBee XR 868 MHz MMT with RF Pad antenna connection
XB-8XR-DMUM-001	Digi XBee XR 868 MHz MMT with U.FL antenna connection

PART NUMBERS

DIGI XBEE XR 868 DEVELOPMENT KIT

DIGI XBEE XR 868 DEVELOPMENT KIT

XK-8XR-DMM	Digi XBee XR 868 Development Kit with Digi XBee XR 868 MHz MMT, RF Pad antenna connection and development board
------------	---

Matlog

4 avenue du Vieil Etang Espace Ouest - Hall A 78180 Montigny le Bretonneux France

Phone: +33 1 80 97 92 70

E-mail: contact@matlog.com

www.matlog.fr