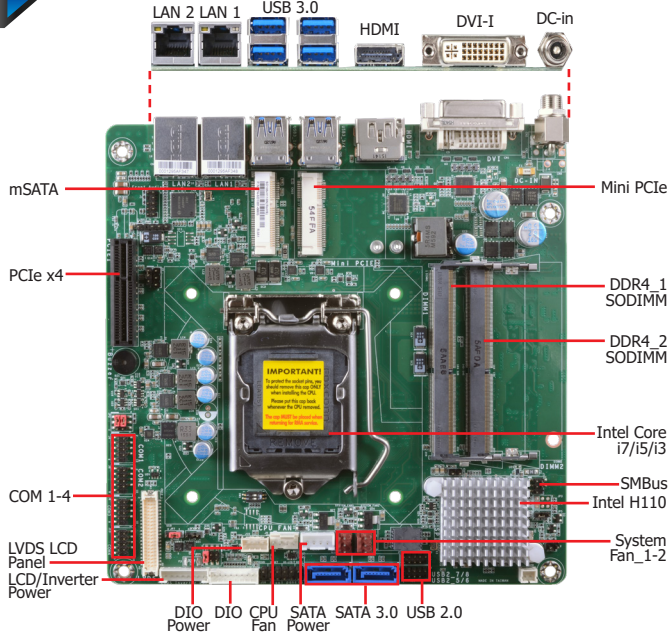
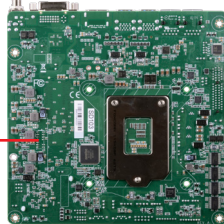


# SD101/SD103-H110

H110



\* The photos above refer to SD103-H110.

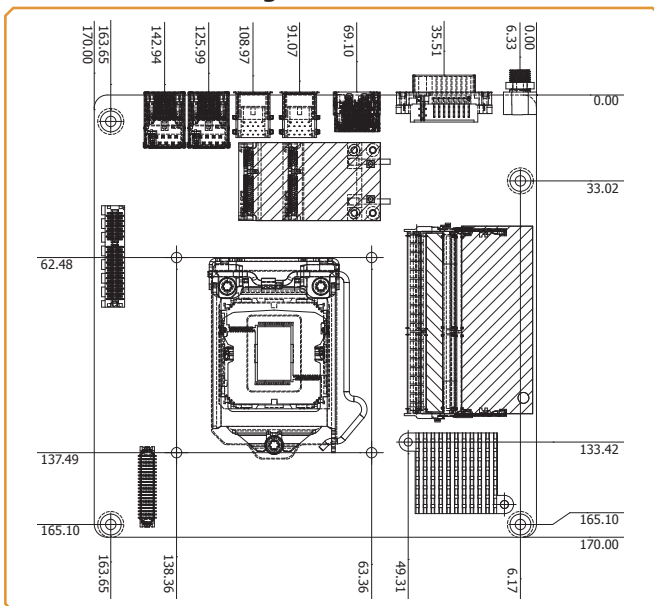


Bottom View

## Ordering Information

Model Name	P/N	Memory	HDMI/DP++	GbE	RS-232/422/485	RS-232	USB 3.0	USB 2.0	Power	Thermal Temp.
SD101-H110	770-SD1011-000G	2 SODIMM	HDMI	2	1	3	4	4	12V DC-in	Active 0 to 60°C
SD103-H110	770-SD1031-000G	2 SODIMM	HDMI	2	1	3	4	4	15~36V DC-in	Active 0 to 60°C

## Mechanical Drawing



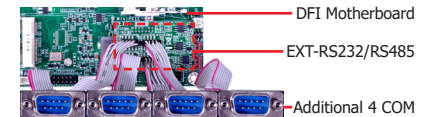
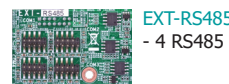
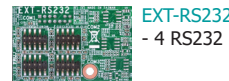
## Features

- 2 DDR4 SODIMM up to 32GB
- Three display ports support two independent displays: LVDS + DVI-I + HDMI\*/DP (DP available upon request)
- DP resolution up to 4096x2304 @ 60Hz  
Dual Channel LVDS resolution up to 1920x1200 @ 60Hz
- Multiple expansion: 1 PCIe x4, 1 Mini PCIe, 1 mSATA
- Rich I/O: 2 Intel GbE, 4 COM, 4 USB 3.0, 4 USB 2.0
- LPC EXT-RS232/485 module extends additional 4 COM ports

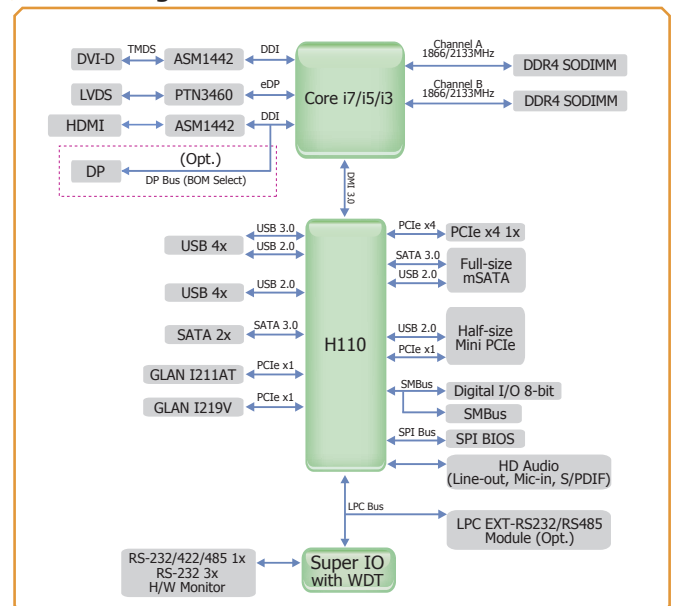
\* Populated by default



## 2 Extension Modules for Additional 4 COM Ports (via the LPC connector)



## Block Diagram



## Specifications

<b>SYSTEM</b>	<b>Processor</b>	7th Generation Intel® Core™ Processors, LGA 1151 Socket Intel® Core™ i7-7700 Processor, Quad Core, 8M Cache, 3.6GHz (4.2GHz), 65W Intel® Core™ i5-7500 Processor, Quad Core, 6M Cache, 3.4GHz (3.8GHz), 65W Intel® Core™ i3-7101E Processor, Dual Core, 3M Cache, 3.9GHz, 65W 6th Generation Intel® Core™ Processors, LGA 1151 Socket Intel® Core™ i7-6700, Quad Core, 8M Cache, 3.4GHz (4.0GHz), 65W Intel® Core™ i7-6700TE, Quad Core, 8M Cache, 2.4GHz (3.4GHz), 35W Intel® Core™ i5-6500, Quad Core, 6M Cache, 3.2GHz (3.6GHz), 65W Intel® Core™ i5-6500TE, Quad Core, 6M Cache, 2.3GHz (3.3GHz), 35W Intel® Core™ i3-6100, Dual Core, 3M Cache, 3.7GHz, 47W Intel® Core™ i3-6100TE, Dual Core, 4M Cache, 2.7GHz, 35W Intel® Pentium® G4400, Dual Core, 3M Cache, 3.3GHz, 47W Intel® Pentium® G4400TE, Dual Core, 3M Cache, 2.4GHz, 35W Intel® Celeron® Processor G3900, Dual Core, 2M Cache, 2.8GHz, 65W Intel® Celeron® Processor G3900TE, Dual Core, 2M Cache, 2.6GHz, 35W	
	<b>Chipset</b>	Intel® H110 Chipset	
	<b>Memory</b>	Two 260-pin SODIMM up to 32GB	Dual Channel DDR4 1866/2133MHz
	<b>BIOS</b>	Insyde SPI 128Mbit	
<b>GRAPHICS</b>	<b>Controller</b>	Intel® HD Gen 9 Graphics	
	<b>Feature</b>	OpenGL 5.0, DirectX 12, OpenCL 2.1 HW Decode: AVC/H.264, MPEG2, VC1/WMV9, JPEG/MJPEG, HEVC/H265, VP8, VP9 HW Encode: MPEG2, AVC/H264, JPEG, HEVC/H265, VP8, VP9	
	<b>Display</b>	1 x LVDS 1 x DVI-I (DVI-D signal) 1 x HDMI/DP (DP available upon request)	LVDS: dual channel, resolution up to 1920x1200 @ 60Hz DVI-I: resolution up to 1920x1200 @ 60Hz HDMI: resolution up to 2560x1600 @ 60Hz or 4096x2160 @ 24Hz DP: resolution up to 4096x2304 @ 60Hz
	<b>Dual Displays</b>	LVDS + DVI-I (DVI-D signal) LVDS + HDMI LVDS + DP (DP available upon request)	DVI-I (DVI-D signal) + HDMI DVI-I (DVI-D signal) + DP (DP available upon request)
<b>EXPANSION</b>	<b>Interface</b>	1 x PCIe x4 (Gen 2) 1 x Full-size mSATA (USB/SATA)	1 x Half-size Mini PCIe (USB/PCIe)
<b>AUDIO</b>	<b>Audio Codec</b>	Realtek ALC888S-VD2-GR	
<b>ETHERNET</b>	<b>Controller</b>	1 x Intel® I211AT PCIe (10/100/1000Mbps)	1 x Intel® I219V PCIe (10/100/1000Mbps)
<b>REAR I/O</b>	<b>Ethernet</b>	2 x GbE (RJ-45)	
	<b>USB</b>	4 x USB 3.0	
	<b>Display</b>	1 x DVI-I (DVI-D signal)	1 x HDMI/DP (DP available upon request)
<b>INTERNAL I/O</b>	<b>Serial</b>	3 x RS-232 (2.00mm pitch)	1 x RS-232/422/485 (RS-232 w/ power) (2.00mm pitch)
	<b>USB</b>	4 x USB 2.0 (2.00mm pitch)	
	<b>Display</b>	1 x LVDS LCD Panel Connector	1 x LCD/Inverter Power
	<b>Audio</b>	1 x Audio (Line-out/Mic-in)	1 x S/PDIF
	<b>SATA</b>	2 x SATA 3.0 (up to 6Gb/s)	
	<b>DIO</b>	1 x 8-bit DIO	
	<b>LPC</b>	1 x LPC (supports LPC EXT-RS232/RS485 module) (available upon request)	
	<b>SMBus</b>	1 x SMBus	
<b>WATCHDOG TIMER</b>	<b>Output &amp; Interval</b>	System Reset, Programmable via Software from 1 to 255 Seconds	
<b>POWER</b>	<b>Type</b>	Single 12V +/-10% DC (SD101)	Wide Range 15~36V (SD103)
	<b>Connector</b>	DC-in Jack	Right Angle Connector (4-pin) (available upon request) Vertical Type Connector (4-pin) (available upon request)
	<b>Consumption</b>	Typical: i5-6500: 12V @ 3.18A (38.16Watt); 19V @ 2.16A (41.04Watt)	
	<b>RTC Battery</b>	Max.: i5-6500:12V @5.51A (66.12Watt); 19V @ 3.68A (69.92Watt)	
<b>OS SUPPORT</b>	<b>Microsoft/Linux</b>	Windows 7 (WES7) 32/64-bit	Debian 8 (with VESA graphic driver)
		Windows 8.1 (64-bit) Windows 10 IoT Enterprise 64-bit Note: 7th Gen Intel Core processors only support Win 10.	CentOS 7 (with VESA graphic driver) Linux
<b>ENVIRONMENT</b>	<b>Temperature</b>	Operating: 0 to 60°C	Storage: -40 to 85°C
	<b>Humidity</b>	Operating: 5 to 90% RH	Storage: 5 to 90% RH
	<b>MTBF</b>	SD101-H110 : 434,189 hrs @ 25°C; 253,023 hrs @ 45°C ; 160,261 hrs @ 60°C SD103-H110 : 422,413 hrs @ 25°C; 245,506 hrs @ 45°C ; 155,547 hrs @ 60°C Calculation model: Telcordia Issue 2, Method I Case 3 Environment: GB, GC – Ground Benign, Controlled	
<b>MECHANICAL</b>	<b>Dimensions</b>	Mini-ITX Form Factor	170mm (6.7") x 170mm (6.7")
	<b>Height</b>	PCB: 1.6mm	Top Side: 20mm, Bottom Side: 7mm
<b>CERTIFICATIONS</b>	CE, FCC Class B, RoHS, UL		

## Packing List

• 1 SD101/SD103-H110 motherboard	
• 1 COM port cable (Length: 250mm, 1 x COM ports)	A81-015011-001G
• 1 Serial ATA data cable (Length: 500mm)	332-553001-005G
• 1 Serial ATA power Y cable (Length: 300mm)	A81-002013-000G

## Optional Items

• USB port cable (Length: 200mm)	A81-001032-016G
• COM port cable (Length: 250mm, 1 x COM ports)	A81-015011-001G
• Audio (Line-out/Mic-in) cable (Length: 160mm)	A81-022007-016G
• Power adapter (100W, 12V, Level 6) (SD101)	671-110002-100G
• Power adapter (120W, 19V, Level 6) (SD103)	671-110003-100G
• Thermal solution (For 35W, Height: 37.3mm)	A71-103004-000G
• Thermal solution (For 65W, Height: 72.8mm)	552-200049-000G
• LPC EXT-RS232 module (4 x RS232 ports)	770-EXTRS1-000G
• LPC EXT-RS485 module (4 x RS485 ports)	770-EXTRS1-100G
• I/O shield	A49-SD1010-000G
• DT122 Chassis	761-DT1220-200G
• Intel 750 Series PCIe SSD (400GB)	635-604002-400G
• Intel 750 Series PCIe SSD (800GB)	635-608002-400G
• Intel 750 Series PCIe SSD (1.2TB)	635-612002-400G