

# SealSO Single Port Inline USB Isolator (UL Recognized)

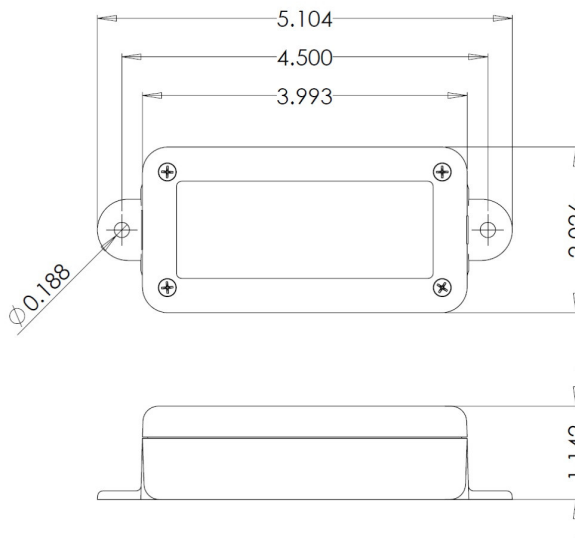
[sealevel.com/product/iso-1-seaiso-single-port-inline-usb-isolator-ul-recognized](https://sealevel.com/product/iso-1-seaiso-single-port-inline-usb-isolator-ul-recognized)





**Part:** ISO-1 **Model:** SealISO USB Isolator

\$149.00



- Protects host and field equipment from damaging surges and transients
- UL Recognized in accordance with EN60601-1 3rd Edition requirements
- Features medical-grade 4 kV isolation, data, and power
- Powered by USB host connection; supports energy transfer with isolation
- Compliant with CE, FCC, RoHS and WEEE directives

Need some help? [Contact us](#)

## Description

The SealISO™ ISO-1 single-port, inline USB isolator offers a simple method of protecting host and field equipment from damaging transients and surges commonly found in commercial, industrial and medical environments. The ISO-1 is UL Recognized, in accordance with EN60601-1 3rd Edition, and protects both the data and power lines with 4 kV of medical-grade isolation between the host control system and connected USB equipment.

The ISO-1 is USB bus powered, eliminating the need for external power. The efficient DC/DC design allows energy transfer over the isolation barrier. The isolator provides up to 300 mA to a downstream USB device when connected to a standard 500 mA USB port. Additionally, the isolator can provide a full 500 mA to a downstream device when connected to a USB port capable of sourcing 1 A, or greater. Convenient high-retention USB connectors prevent accidental cable disconnections.

Supported in Microsoft Windows, Linux, and other USB aware operating systems, the ISO-1 requires no separate drivers and is easy to install. Simply plug the isolator into an available USB port with the included cable, and it is automatically recognized as a generic USB hub device. The ISO-1 is a USB 2.0 compatible device connecting to the host over a high-speed link and features full-speed (12 Mbps) data rates between the downstream USB device.

The ISO-1 is housed in a rugged plastic enclosure with mounting ears that simplify mounting to walls, under counters, or inside panels. Standard operating temperature range is -20°C to 60°C and extended temperature ranges are optional. The USB isolator is shipped with a 1 meter USB A to B device cable and 1.3 meter USB extension cable. If you need a ruggedized USB isolator cable, see the [ISO-1R](#). If you need an OEM USB isolator to integrate into your application, see the [ISO-1-OEM](#).

Category: [SealSO USB Isolators](#)

## Additional information

---

<b>Family</b>	SealSO
<b>Certifications</b>	EN60601-1 3rd Edition, FCC, CE
<b>Communications Chip</b>	USB Hub
<b>Dimensions</b>	Enclosure: 7.6" (L) x 2.0" (W) x 1.1" (H) – 4.0" (L) w/o Mounting Ears
<b>Humidity Range</b>	10 – 90% Relative Humidity, Non-Condensing
<b>Host Interface(s)</b>	USB
<b>Max Data Distance</b>	5 M
<b>Max Data Rate</b>	12 Mbps (Device Connection)
<b>Operating Temperature</b>	-20°C to 60°C (-4°F to 140°F)
<b># of Ports</b>	1
<b>Power Requirement</b>	USB +5V @ 200 mA (Max)

---

<b>RoHS Compliant</b>	Yes
<b>Storage Temperature</b>	-40°C to 85°C (-40°F to 185°F)
<b>Upstream Isolation</b>	4 kV Isolation
<b>USB Specification</b>	2.0 Compatible (Host Connection)

Protects host and field equipment from damaging surges and transients  
 UL Recognized in accordance with EN60601-1 3rd Edition requirements  
 Features medical-grade 4 kV isolation, data, and power  
 Powered by USB host connection; supports energy transfer with isolation  
 Maximum of 1.1 A output current when connected to a high-power USB port  
 Provides 300 mA to downstream USB devices when connected to standard 500 mA USB port  
 Provides 500 mA to downstream USB devices when connected to 1 A USB port  
 High-retention USB connectors prevent accidental disconnection of USB cable  
 USB 2.0 compatible device supports full-speed 12 Mbps operation  
 Supported in Microsoft Windows, Linux, and other USB aware operating systems  
 Includes 1 meter USB type A to type B device cable (Item# CA539)  
 Includes 1.3 meter USB type A male to USB type A high-retention female extension cable (Item# CA536)  
 Compliant with CE, FCC, RoHS and WEEE directives

Copyright 1996 - 2021 - Sealevel Systems, Inc. All rights reserved.