

# Dual-band Wi-Fi 6 plus Bluetooth® Combo SDIO Module

## SX-SDMAX-2530S



Low Power Wireless LAN Module Powered by NXP's IW611

### Overview

The SX-SDMAX is a Wi-Fi 6 (IEEE 802.11a/b/g/n/ac/ax) plus Bluetooth® v5.3 that supports SDIO as its host interface. Powered by NXP's highly integrated IW611 chipset, the Wi-Fi 6 module delivers higher throughput, better network efficiency, lower latency, and improved range over previous-generation Wi-Fi standards. The module supports SDIO as its host interface, which is a popular choice for many battery-operated device applications, as it provides the perfect balance between performance and power consumption. In addition, by supporting a wide temperature range, it is a wireless LAN module that is ideal for wireless compatibility with a wide range of products, from industrial equipment to small devices.

### Efficient, Faster, & Lower Latency with Wi-Fi 6

The latest Wi-Fi 6 technology introduces features such as OFDMA, 1024QAM, and Target Wake Time (TWT) bringing higher throughput, better network efficiency, lower latency, and improved range over previous-generation Wi-Fi standards.

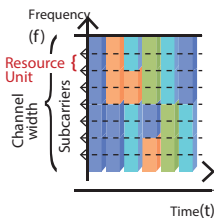
The SX-SDMAX with its SDIO host interface combines all the benefits of Wi-Fi 6 while optimizing power consumption to deliver unmatched Wi-Fi performance with improved battery life, making it an ideal solution for many battery-operated embedded devices.

### Wi-Fi 6 Features

#### 1 Efficiency

MU-MIMO OFDMA

Improved efficiency and stability in dense networks. Wi-Fi 6 delivers data reliably with low latency even in congested radio wave environments.



#### 2 Power Saving

TWT Multiple BSS

Wi-Fi 6 has introduced new features like Target Wake Time which allows devices to negotiate when and how frequently they will wake up to send or receive data. This Wi-Fi 6/6E feature increases device sleep time and greatly improves battery life. It also incorporates a mechanism for avoiding collisions between packets and for efficiently avoiding radio wave interference for efficient communication.



### SX-SDMAX Features

- PHY data rate up to 600Mbps (at 5GHz/80MHz/MSC11)
- Single stream, 1x1
- Powered by NXP's IW611 chipset
- Host interface: Wireless LAN SDIO3.0 compatible, Bluetooth® UART
- 80MHz band mode (5GHz)
- High density modulation mode (1024 QAM)
- Bluetooth® v5.3 Class1 compatible
- RoHS compliant
- Modular certifications(Planned) : Japan, USA, Canada, Europe, UK

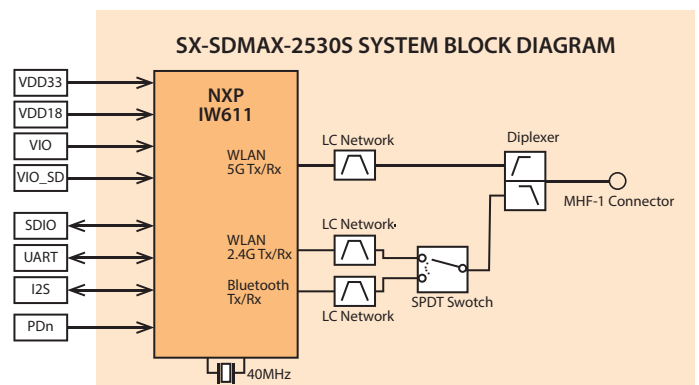
### Applications

Ideal for many battery operated medical devices, mobile printers, Hand held POS and terminals, barcode scanners, IoT Applications etc.

### Specifications

<b>Product Name</b>	SX-SDMAX-2530S				
<b>Chipset</b>	NXP IW611				
<b>Host Interface</b>	WLAN : SDIO3.0 Bluetooth® : UART				
<b>Wi-Fi Standard</b>	IEEE 802.11a/b/g/n/ac/ax (1x1)				
<b>Bluetooth®</b>	Bluetooth® v5.3 (BR/EDR/LE Compliant)				
<b>Antenna Connector</b>	MHF Connector :1				
<b>Operating Voltage</b>	Main Power Supply : 3.3V + 1.8V IO Power Supply : 1.8V or 3.3V				
<b>Current Consumption (Peak Value)</b>	Voltage	VDD18		VDD33	
		Tx	Rx	Tx	Rx
	Wi-Fi:2.4GHz	190mA	130mA	200mA	10mA
	Wi-Fi:5GHz	260mA	150mA	240mA	10mA
Bluetooth®	150mA	80mA	20mA	10mA	
<b>Operating Environment</b>	Temperature : -40 ~ 85°C Humidity : 95% RH or less (Without Condensation)				
<b>Storage Environment</b>	Temperature : -40 ~ 85°C Humidity : 95% RH or less (Without Condensation)				
<b>Size</b>	17.0×18.0×2.65mm				
<b>Weight</b>	1.7g				
<b>Package Type</b>	44-pins Land Grid Array (Direct Solder)				

### Block Diagram



# Dual-band Wi-Fi 6 plus Bluetooth® Combo SDIO Module

## SX-SDMAX-2530S

### Product Lineup



SX-SDMAX-2530S  
(44pins Direct Solder Pads)

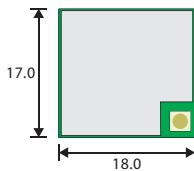


SX-SDCAX-2530  
(Micro SD Card Type)

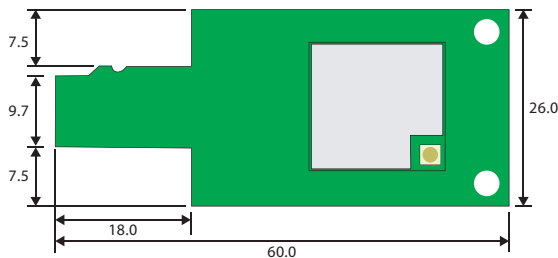
Model	Form Factor	MoQ	Packaging
SX-SDMAX-2530S	Surface Mount	500	Reel
SX-SDMAX-2530S-SP	Surface Mount	1	Reel
SX-SDCAX-2530	Micro SD Card	1	Individual Box ※ Antenna Included

### Mechanical Drawing

#### SX-SDMAX-2530S



#### SX-SDCAX-2530



### Wireless Driver ※1

#### [ WLAN ]

- Linux
  - Station, Access Point Mode
  - WPA™/WPA2™/WPA3™ Authentication
  - IEEE 802.1X(TLS, TTLS, PEAP, LEAP, FAST)
  - WPS2.0 Support※2
  - Wi-Fi Direct® Support※2

#### [ Bluetooth® ]

- In order to support the Bluetooth® v5.3 standard, it is necessary to combine a stack and profile that support the Bluetooth® v5.3 standard.  
Please contact our sales representative for compatible Bluetooth® stacks and profiles.

※1 : Please contact our sales representative for details of compatible drivers.  
※2 : When using, it is necessary to obtain Wi-Fi Alliance certification separately.

### Evaluation

Although the NXP i.MX BSP will already include Wi-Fi drivers for SX-SDMAX to enable plug-n-play evaluation, Silex also provides a separate evaluation Linux OS image which not only includes Silex's optimized driver but also board data files, and other Linux test tools ideal for evaluation.

#### What you will need?

- SX-SDCAX-2530
- NXP i.MX8M Evaluation Kit (MCIMX8M-EVKB)



#### Other useful tools included in Silex image :

- Wireless LAN management command - iw
- Throughput test - iperf
- Station/AP function - hostapd, wpa\_supplicant
- DHCP - udhcpd, udhcpc

#### To get started:

- Purchase SX-SDCAX-2530-SP**  
Includes antenna
- Execute Evaluation License Agreement on website.**
- Download evaluation image via link provided in an email.**
- Procure other equipment necessary for evaluation. It includes NXP i.MX8M Evaluation Kit**
- Begin evaluation.**  
Steps included in Startup Guide.

#### [SX-SDMAX Product Page]

<https://www.silextechnology.com/connectivity-solutions/embedded-wireless/sx-sdmax>

- NXP is a registered trademark or trademark of NXP Semiconductors.
- Other company names and product names are registered trademarks or trademarks of their respective companies.

- Bluetooth is a trademark or registered trademark of Bluetooth SIG, Inc., USA.
- Specifications are subject to change without notice for improvement. The listed specifications are as of March 2023.



### silex global sales & support locations

**US Office**  
silex technology america, Inc.  
+1-657-218-5199  
[www.silextechnology.com](http://www.silextechnology.com)  
[sales@silexamerica.com](mailto:sales@silexamerica.com)

**Europe Office**  
silex technology europe, GmbH  
+49-2154-88967-0  
Germany toll free 0800-7453938  
[www.silextechnology.com](http://www.silextechnology.com)  
[sales@silexeurope.com](mailto:sales@silexeurope.com)

**China**  
silex technology beijing, Inc.  
+86-10-8497-1430  
[www.silex.com.cn](http://www.silex.com.cn)  
[contact@silex.com.cn](mailto:contact@silex.com.cn)

**Corporate Headquarters**  
silex technology, Inc.  
+81-774-98-3781  
[www.silex.jp](http://www.silex.jp)  
[support@silex.jp](mailto:support@silex.jp)