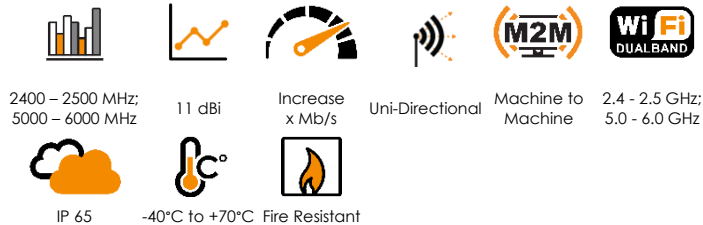


ANTENNAS | WLAN-61 SERIES

UNI-DIRECTIONAL, DUAL-BAND WI-FI ANTENNA

4x4 Wi-Fi (MIMO); 2400 - 2500 MHz, 9 dBi; 5000 - 6000 MHz, 11 dBi



- High performance directional 4X4 MIMO antenna
- Dual-band 2.4 GHz and 5 GHz Wi-Fi antenna
- Wide beamwidth for optimum coverage
- Robust design for vandal and dust resistance (IP 65)
- Easily mountable on pole



Product Overview

The WLAN-61 is a dual-band Wi-Fi MIMO antenna, developed by Poynting Antennas, can connect to any Wi-Fi access point whether it is older Wi-Fi technology or new dual-band Wi-Fi technology. Multiple dual-band antennas can resolve channel saturation and provide the ultimate in Wi-Fi performance and flexibility. This 4x4 MIMO antenna has 4 different antenna orientations in one enclosure. This means the antenna can be used in a 2x2, 3x3 and if necessary, a 4x4 antenna configuration.

The wide beamwidth ensures good coverage in offices, halls and factories etc. The antenna operates in the two Wi-Fi frequency bands 2.4 GHz and 5 GHz, offering excellent utilization of the radio spectrum. The antenna has 9 dBi gain in the 2.4 GHz band and 11 dBi gain in the 5 GHz band, which offers the best performance with a reliable connection. The housing is made of ABS which is a high impact resistant plastic and is also resistant to acids and other chemicals that may occur in industrial plants.

The antenna can be opened on the side where the 4 x SMA female connectors are placed. The cable can be fed through the bypass gland, which eliminates the joint to the antenna extension cables. This eliminates connector losses and the need for taping and waterproofing the connectors for an outdoor installation. This antenna is designed for installations where 4x4 (four independent streams), multiplexing time-space technologies is needed. It can be used indoors or outdoors and is ideal for use in warehouses, production facilities, building sites or any other environment that requires Wi-Fi connectivity, such as computers, mobile phones, tablets, and any other IoT devices.

Features

- Operational in the 2.4 GHz and 5 GHz Wi-Fi bands
- High gain, directional antenna
- MIMO capability for optimum performance
- Robust design for vandal and dust resistance (IP 65)
- Easily mountable on poles

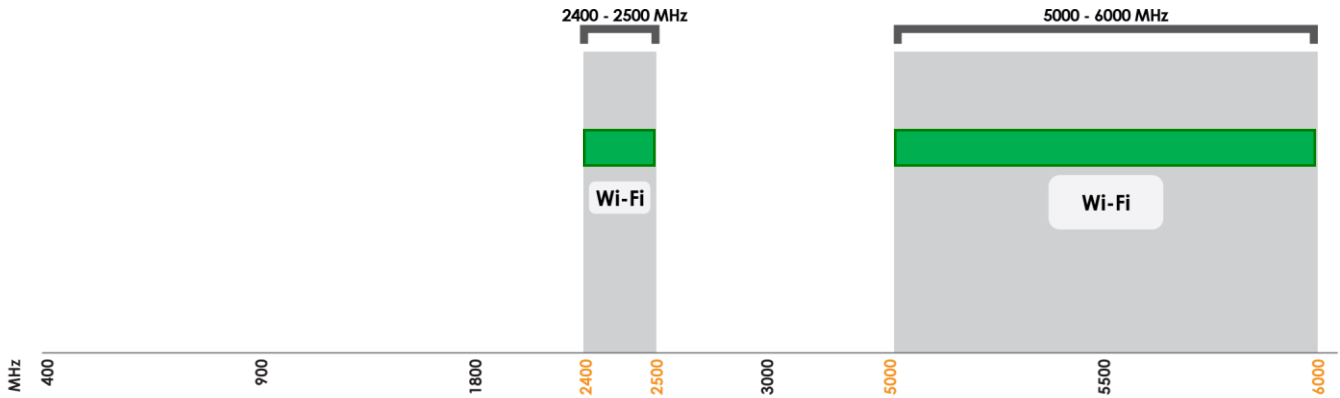
Application Areas

- Offices, warehouses and factories
- Areas with poor data signal reception (indoor or outdoor)
- Open mine areas
- Areas with a lot of radio frequency noise
- M2M and IoT applications



Frequency Bands

The WLAN-61 is a directional antenna that works from 2400 – 2500 MHz | 5000 – 6000 MHz



Indicates the Wi-Fi bands on which WLAN-61 works

Antenna Overview

Ports	4
SISO / MIMO	4x4 MIMO
Frequency Bands	2400 – 2500 MHz 5000 – 6000 MHz
Polarisation	Linear Vertical
Peak Gain	2.4 GHz: 9 dBi 5 GHz: 11 dBi
Coax Cable Type	N/A
Coax Cable Length	N/A
Connector Type	SMA (F)

**The connectors are factory mounted to the antenna*

Electrical Specifications

Frequency bands:	2400 – 2500 MHz 5000 – 6000 MHz
Gain (max):	9 dBi @ 2400-2500 MHz 11 dBi @ 5000-6000 MHz
VSWR:	<2:1
Feed power handling:	10 W
Input impedance:	50 Ohm (nominal)
Polarisation:	Linear Vertical
DC short:	Yes

Product Box Contents

Antenna:	A-WLAN-0061-V1
Mounting bracket:	Cast aluminium swivel bracket

Ordering Information

Commercial name:	WLAN-61
Order product code:	A-WLAN-0061-V1
EAN number:	0707273469670

Mechanical Specifications

Product dimensions	240 mm x 240 mm x 60 mm
Packaged dimensions:	260 mm x 280 mm x 80 mm
Weight:	0.76 kg
Packaged weight:	1.334 kg
Radome material:	ABS (Halogen Free)
Radome colour:	Pantone – Cool Gray (1C) RAL 7047
Mounting Type:	Wall and Pole mount

Environmental Specifications, Certification & Approvals

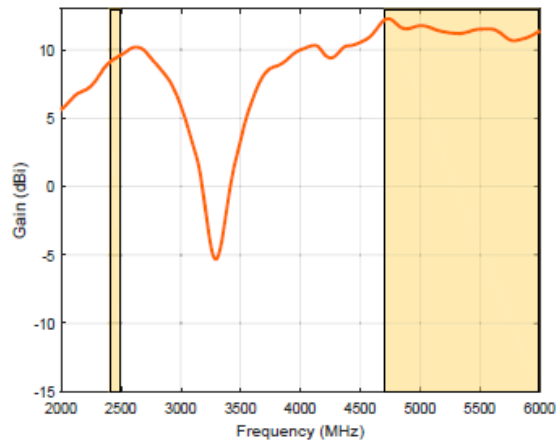
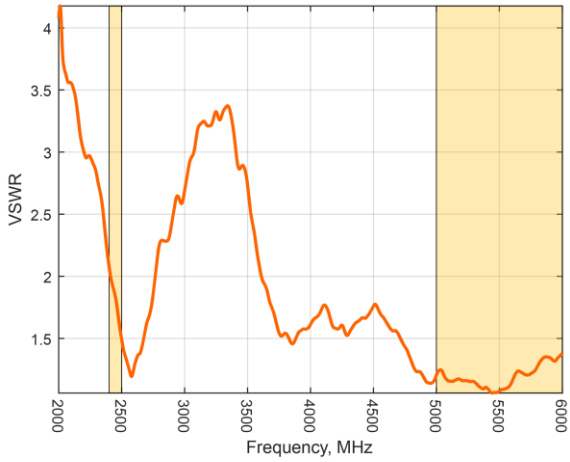
Wind Survival:	160 km/h
Temperature Range (Operating):	-40°C to +70°C
Environmental Conditions:	Outdoor/Indoor
Water ingress protection ratio/standard:	IP 65 (NEMA 4X)
Salt Spray:	MIL-STD 810F/ASTM B117
Operating Relative Humidity:	Up to 98%
Storage Humidity:	5% to 95% - non-condensing
Storage Temperature:	-40°C to +70°C
Enclosure Flammability Rating:	UL 94-HB
Impact resistance:	IK 08
Product Safety & Environmental:	Complies with CE and RoHS standards



Antenna Performance Plots

VSWR

GAIN (EXCLUDING CABLE LOSS)



Voltage Standing Wave Ratio (VSWR)

VSWR is a measure of how efficiently radio-frequency power is transmitted from a power source, through a transmission line, into a load. In an ideal system, 100% of the energy is transmitted which corresponds to a VSWR of 1:1.

The WLAN-61 delivers superior performance across all bands with a VSWR of 2:1 or better.

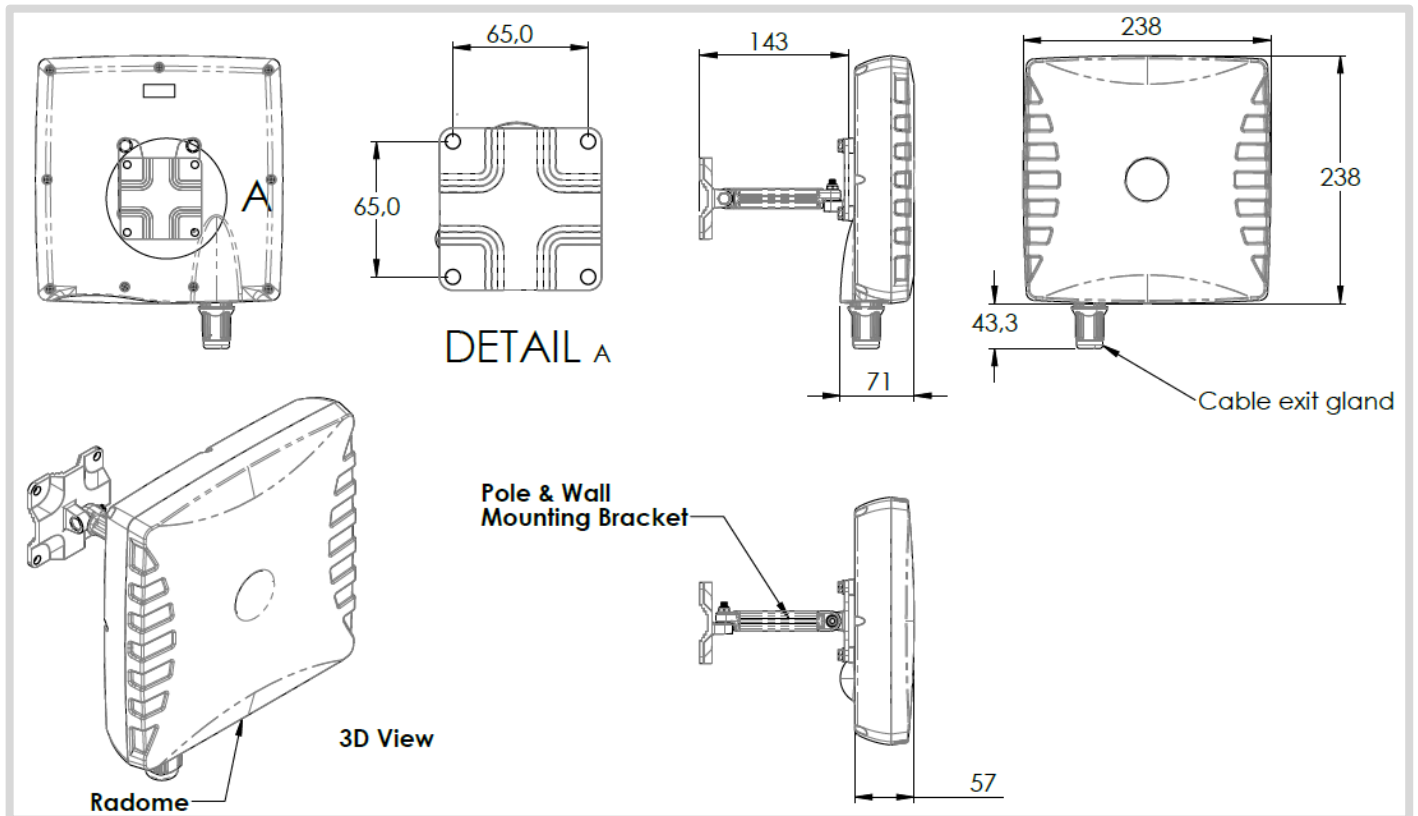
Gain* in dBi

11 dBi is the peak gain across all bands from 2400-2500 MHz and 5000-6000 MHz

Gain @ 2400 – 2500 MHz:	9 dBi
Gain @ 5000 – 6000 MHz:	11 dBi

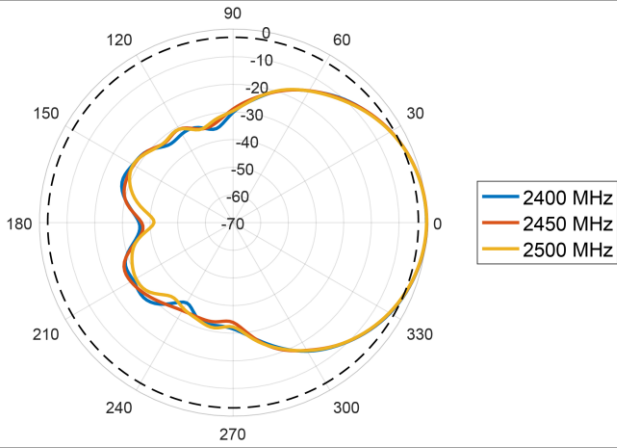
**Antenna gain measured with polarisation aligned standard antenna*

Technical Drawings

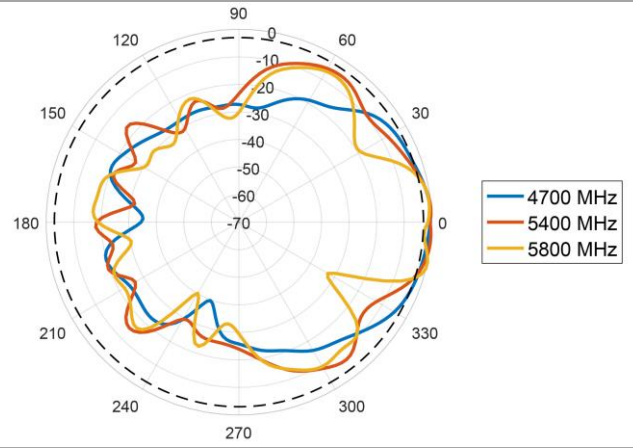


Radiation Patterns

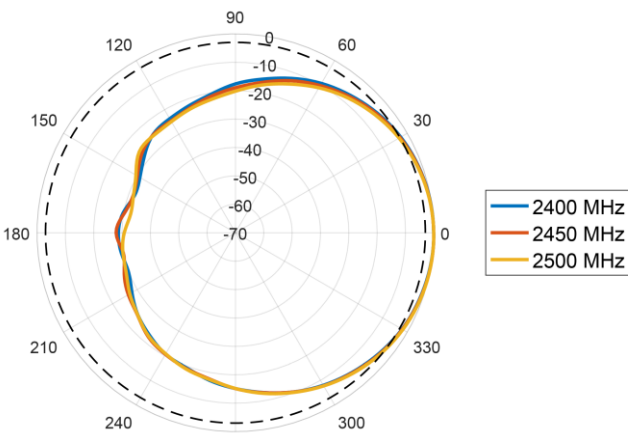
Azimuth: 2400 – 2500 MHz



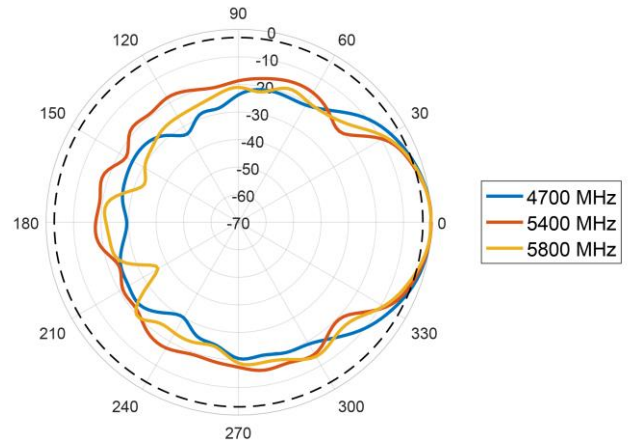
Azimuth: 5000 – 6000 MHz



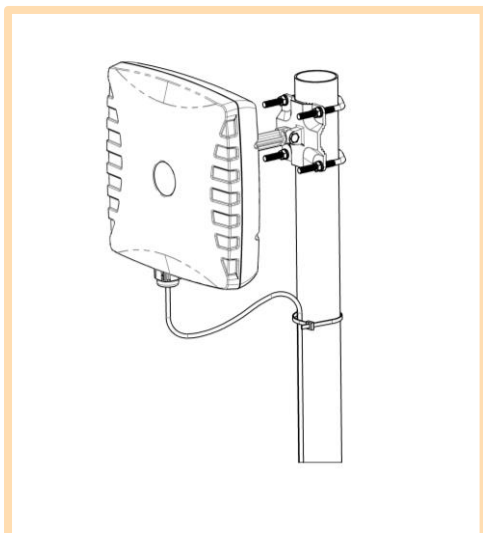
Elevation: 2400 – 6000 MHz



Elevation: 5000 – 6000 MHz

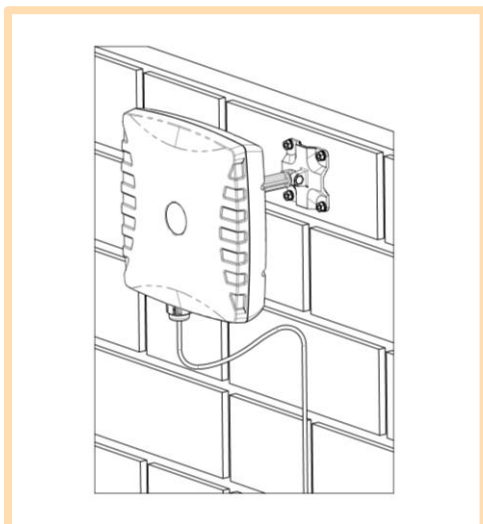


Mounting Options



Pole Mount

Wall/pole mount bracket included



Wall Mount

Wall/pole mount bracket included

Additional Accessories

Extension Cables: Up to 15m HDF 195
Various connectors available
Installation poles and brackets available

See accessories technical specifications on www.poynting.tech

Contact Poynting

Poynting Antennas (Pty) Ltd - Head Office

Unit 4, N1 Industrial Park
Landmarks Avenue,
Samrand, 0157
South Africa

Phone: +27 (0) 12 657 0050

E-mail: sales@poynting.co.za

Poynting Europe

Regus Business Center Neue Messe Riem
Kronstadter Straße 4
81677 München
Germany

Phone: +49 89 208026538

E-mail: sales-europe@poynting.tech