



**MATLOG**  
NEATECH Group.

Informatique Industrielle

**Model: MTL-6405GC**

**Gigabit 5-Port unmanaged Ethernet Switch**



**DIN-Rail Unmanaged  
Industrial Ethernet Switch**

Matlog

4 avenue du Vieil Etang | Espace Ouest - Hall A | 78180 Montigny le Bretonneux

[contact@matlog.com](mailto:contact@matlog.com) | 01 80 97 92 70



- Reliable data transmission and long lifecycle
- Supports full-duplex and half-duplex, auto negotiation
- Auto 10/100/1000Mbps
- Fully automatic recognition of network interface
- Plug and play for easy access
- Operating temperature: -20 ~ 70°C
- Voltage input: 12/24/48VDC (10.8~52.8VDC), support reverse connection protection



## OVERVIEW

MTL-6405GC is a 5-port full Gigabit unmanaged Ethernet switch, providing 5 1000Base-T Ethernet port, which supports -20~70°C operating temperature and good EMC performance, and also supports industrial standard DIN-rail mounting to ensure normal operation in harsh environments, so it is very easy to install and apply on any industrial network.

## SPECIFICATION

### Protocol Standards

IEEE 802.3 10Base-T, IEEE 802.3u 100Base-TX,  
IEEE 802.3ab 1000Base-T, IEEE 802.3x

### Interfaces

Gigabit Ethernet: 5\*Gigabit RJ45, support 10/100/1000Base-T

### Switching Performance

Forwarding rate: 1,488,095pps  
Transmission mode: store and forward  
MAC address size: 2K  
Cache size: 1Mb  
Backplane bandwidth: 10G  
Max. frame length: 16KB

### LED indicator light

PWR power indicator, RJ-45 indicator

### Mechanical Characteristics

IP protection level: IP40  
Installation: DIN-Rail Mounted

### Power Requirement

Voltage input: 12/24/48VDC(10.8~52.8VDC)  
Interface terminal: 1 pluggable 3-pin terminal block  
Overload protection: Support  
Reverse connection protection: Support

### Power consumption

120mA@24Vmax

### Mechanical Dimension

Dimension (W x H x D): 100mm x 80mm x 35mm  
Weight: 560g  
Packaging dimension: 180mm x 140mm x 35mm

### Operating Environment

Operating temperature: -20 ~ 70°C  
Storage temperature: -40 ~ 85°C  
Relative humidity: 0~95% (non-condensing)

### Industrial Standards

EMI:  
FCC Part 15 Subpart B class A, EN55022 class A  
EMS:  
IEC(EN)61000-4-2(ESD)

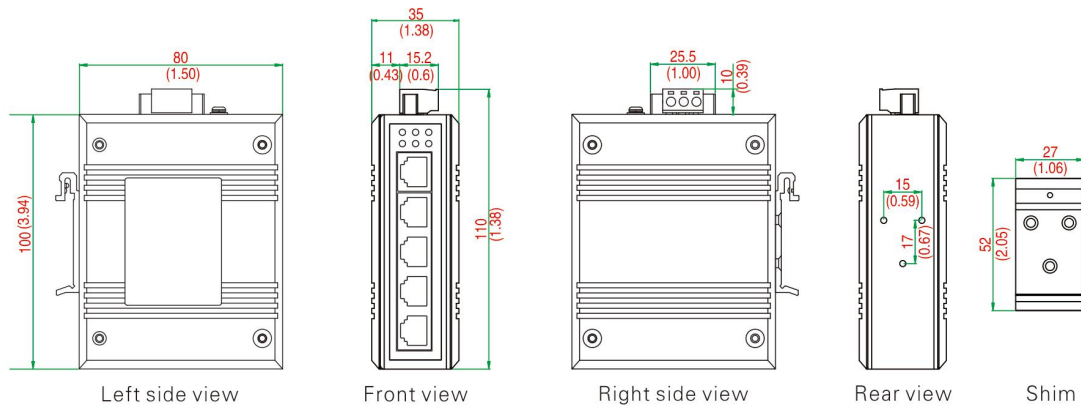


IEC(EN)61000-4-3(RS)  
IEC(EN)61000-4-4(EFT)  
IEC(EN)61000-4-5(Surge)  
IEC(EN)61000-4-6(CS)

IEC(EN)61000-4-8  
IEC 60068-2-27(Shock)  
IEC 60068-2-32(Freefall)  
IEC 60068-2-6(Vibration)

**Dimension**

Unit:  $\frac{\text{mm} \pm 1}{(\text{inch}) \pm 0.04}$



**ORDER INFORMATION**

Model	Interface
	10/100/1000Base-T
MTL-6405GC	5