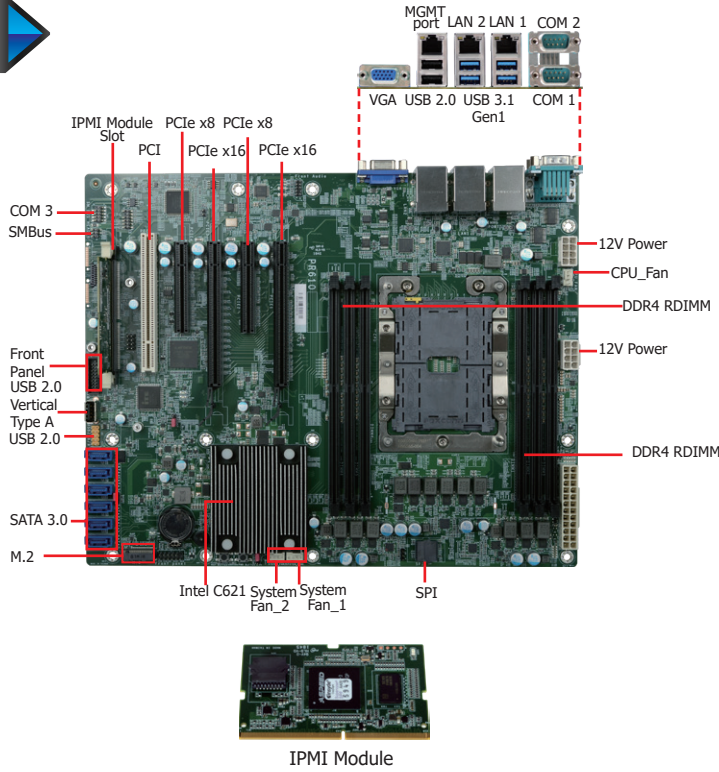


PR610-C621

Server-grade

C621

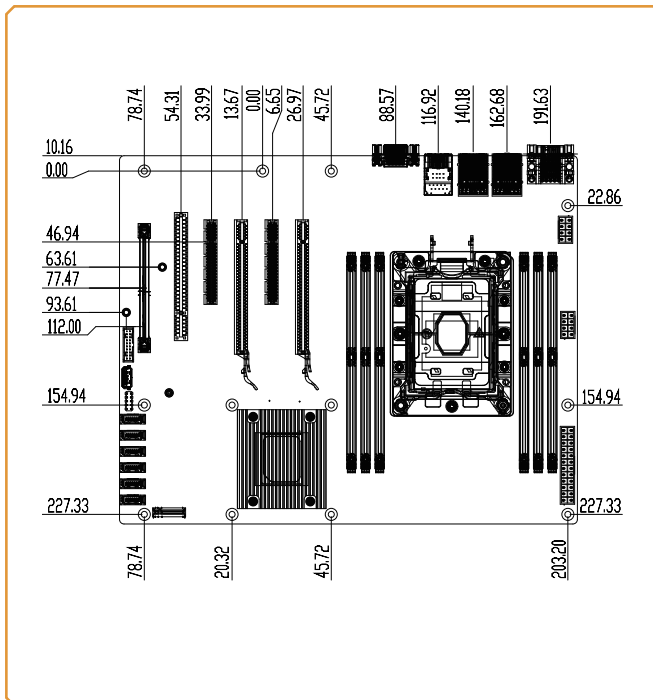


Features

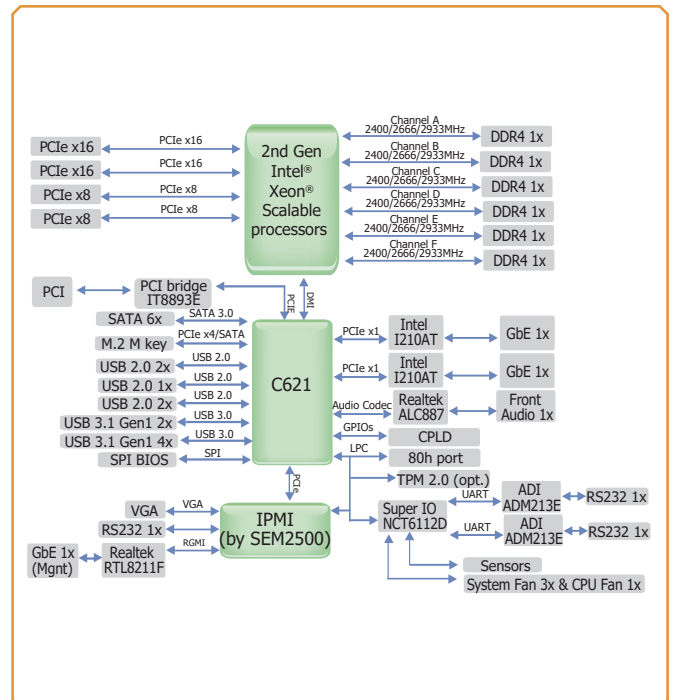
- 6 DDR4 RDIMM up to 192GB
- Multiple expansion: 2 PCIe x16, 2 PCIe x8, 1 PCI, 1 M.2
- Rich I/O: 2 Intel GbE, 1 dedicated IPMI LAN, 2 COM, 6 SATA 3, 5 USB 2.0, 6 USB 3.1 Gen1



Mechanical Drawing



Block Diagram



Specifications

SYSTEM	Processor	1st Generation Intel® Xeon® Scalable Processor Family, LGA 3647 Socket: Intel® Xeon® Platinum 8160T (24 Cores, 27.5M Cache, up to 3.7 GHz); 150W Intel® Xeon® Gold 6138T (20 Cores, 27.5M Cache, up to 3.7 GHz); 125W Intel® Xeon® Gold 6138 (20 Cores, 27.5M Cache, up to 3.7 GHz); 125W Intel® Xeon® Gold 6130T (16 Cores, 22M Cache, up to 3.7 GHz); 125W Intel® Xeon® Gold 6130 (16 Cores, 22M Cache, up to 3.7 GHz); 125W Intel® Xeon® Gold 6126T (12 Cores, 19.25M Cache, up to 3.7 GHz); 125W Intel® Xeon® Gold 6126 (12 Cores, 19.25M Cache, up to 3.7 GHz); 125W Intel® Xeon® Gold 5120T (14 Cores, 19.25M Cache, up to 3.2 GHz); 105W Intel® Xeon® Gold 5119T (14 Cores, 19.25M Cache, up to 3.2 GHz); 85W Intel® Xeon® Gold 5118 (12 Cores, 16.5M Cache, up to 3.2 GHz); 105W Intel® Xeon® Silver 4116T (12 Cores, 16.5M Cache, up to 3.0 GHz); 85W Intel® Xeon® Silver 4116 (12 Cores, 16.5M Cache, up to 3.0 GHz); 85W Intel® Xeon® Silver 4114T (10 Cores, 13.75M Cache, up to 3.0 GHz); 85W Intel® Xeon® Silver 4110 (8 Cores, 11M Cache, up to 3.0 GHz); 85W Intel® Xeon® Silver 4109T (8 Cores, 11M Cache, up to 3.0 GHz); 70W Intel® Xeon® Bronze 3106 (8 Cores, 11M Cache, 1.7 GHz); 85W 2nd Generation Intel® Xeon® Scalable Processor Family, LGA 3647 Socket: Intel® Xeon® Gold 6252N (24 Cores, 35.75M Cache, up to 3.6 GHz); 150W Intel® Xeon® Gold 6238T (22 Cores, 30.25M Cache, up to 3.7 GHz); 125W Intel® Xeon® Gold 6230T (20 Cores, 27.5M Cache, up to 3.9 GHz); 125W Intel® Xeon® Gold 6230N (20 Cores, 27.5M Cache, up to 3.5 GHz); 125W Intel® Xeon® Gold 6230 (20 Cores, 27.5M Cache, up to 3.9 GHz); 125W Intel® Xeon® Gold 6226 (12 Cores, 19.25M Cache, up to 3.7 GHz); 125W Intel® Xeon® Gold 5220T (18 Cores, 24.75M Cache, up to 3.9 GHz); 105W Intel® Xeon® Gold 5218T (16 Cores, 22M Cache, up to 3.8 GHz); 105W Intel® Xeon® Gold 5218N (16 Cores, 22M Cache, up to 3.7 GHz); 110W Intel® Xeon® Gold 5215 (10 Cores, 13.75M Cache, up to 3.4 GHz); 85W Intel® Xeon® Silver 4216 (16 Cores, 22M Cache, up to 3.2 GHz); 100W Intel® Xeon® Silver 4215 (8 Cores, 11M Cache, up to 3.5 GHz); 85W Intel® Xeon® Silver 4214 (12 Cores, 16.5M Cache, up to 3.2 GHz); 85W Intel® Xeon® Silver 4210 (10 Cores, 13.75M Cache, up to 3.2 GHz); 85W Intel® Xeon® Silver 4209 (8 Cores, 11M Cache, up to 3.2 GHz); 70W		
	Chipset	Intel® C621 Chipset		
	Memory	Six 288-pin RDIMM up to 192GB Single Channel DDR4 up to 2933 MHZ	Support Optane DC persistent memory module(DCPMM) in DIMM3 and DIMM6 (2nd Gen Xeon Scalable (62xx/52xx/4215) processors only)	
	BIOS	Insyde SPI 128Mbit		
	GRAPHICS	Display	1 x VGA (only with SEM2500/SEM2510)	
	Single Displays	VGA (only with SEM2500/SEM2510)		
EXPANSION	Interface	2 x PCIe x16 (Gen 3) 2 x PCIe x8 (Gen 3) 1 x PCI	1 x DDR4 SO-DIMM for SEM2500/2510 (opt.) 1 x M.2 M key 2280 (SATA/PCIe Gen3 x4 NVMe)	
AUDIO	Audio Codec	ALC887		
ETHERNET	Controller	2 x Intel® I210AT PCIe (10/100/1000Mbps)	IPMI: 1 x RTL8211F (only with SEM2500)	
REAR I/O	Ethernet	2 x GbE (RJ-45) 1 x dedicated IPMI LAN (only with SEM2500)		
	USB	4x USB 3.1 Gen1	2x USB 2.0 stack	
	Display	1 x VGA (only with SEM2500/SEM2510)		
	Serial	2 x RS-232 (DB-9)		
INTERNAL I/O	USB	2x USB 2.0 header (2x USB 2.0) 1x USB 2.0 vertical Type A	1x USB 3.1 Gen1 header (2x USB 3.1 gen1)	
	SATA	6 x SATA 3.0 (up to 6Gb/s)	RAID 0/1/5/10	
	SMBus	1 x SMBus		
WATCHDOG TIMER	Output & Interval	System Reset, Programmable via Software from 1 to 255 sec/Min		
SECURITY	TPM	TPM 2.0 (opt.)		
POWER	Type	ATX		
	Connector	8-pin ATX 12V power	24-pin ATX power	
	Consumption	Typical: 5120T: 3.3V @ 0.42A (1.386Watt); 5V @ 2.33A (11.65Watt); 12V @ 2.34A (28.08Watt) Max.: 5120T: 3.3V @ 0.43A (1.419Watt); 5V @ 2.4A (12.0Watt); 12V @ 12.51A (150.12Watt)		
	RTC Battery	CR2032 Coin Cell		
OS SUPPORT		Windows 10 IoT Enterprise LTSB RS5(64-bit) Windows Server 2012R2	Windows Server 2016 Linux	
ENVIRONMENT	Temperature	Operating: 0 to 60°C	Storage: -40 to 85°C	
	Humidity	Operating: 5 to 90% RH, Non-condensing	Storage: 5 to 90% RH, Non-condensing	
	MTBF	493,780 hrs @ 25°C; 290,407 hrs @ 45°C ; 187,006 hrs @ 60°C Calculation Model: Telcordia Issue 4 Environment: GB, GC - Ground Benign, Controlled		
MECHANICAL	Dimensions	ATX Form Factor	305mm (12") x 244mm (9.6")	
	Height	PCB: TBD	Top Side: TBD mm Bottom Side: TBD	

Ordering Information

Model Name	P/N	GbE	RS-232	USB 3.1 Gen1	USB 2.0	VGA	IPMI-Mgmt	BMC Module	Temp.
PR610-C621DR	770-PR6101-000G	2	2	6	5	0	0	0	0~60°C
PR610-C621DRV	770-PR6101-100G	2	2	6	5	1	0	SEM2510-VGA	0~60°C
PR610-C621DRI	770-PR6101-200G	2	2	6	5	1	1	SEM2500-VGA/IPMI	0~60°C

Packing List

• 1 PR610-C621 motherboard	
• 1 I/O shield	
• 1 M.2 screw for 2280	A32-112016-041G
• 1 SEM2500/2510 (by ordered P/N)	

Optional Items

• USB 2.0 port cable (Length: 350mm)	A81-001066-016G
• Cooler (Narrow ILM LGA 3647)	A71-101400-000G
• USB 3.1 Gen1 cable (Length: 320mm)	A81-001052-023G
• 1 Serial ATA cable (Length: 500mm)	332-553001-005G