

# CliQ II DIN Rail Power Supply

## 24V 120W 1 Phase / DRP024V120W1B□



### Highlights & Features

- Universal AC input voltage range
- Power will not de-rate for the entire input voltage range
- Power Boost of 150% for 5 seconds
- Full corrosion resistant aluminium casing
- Extreme low temperature cold start at -40°C
- Conformal coating on PCBAs to protect against common dust and chemical pollutants
- Hazardous Locations approval to ATEX and Class I, Div 2 (DRP024V120W1BA)
- Certified according to IEC/EN/UL 62368-1

### Safety Standards



CB Certified for worldwide use

**Model Number:** DRP024V120W1B□  
**Unit Weight:** 0.72 kg (1.59 lb)  
**Dimensions (L x W x D):** 121 x 50 x 123.1 mm  
 (4.76 x 1.97 x 4.85 inch)

### General Description

The CliQ II DIN rail power supply series from one of the world's leading power supply companies, Delta Electronics Group, offers output voltage of 24V. These products are encased in rugged yet lightweight full aluminium body that can withstand shock and vibration according to IEC 60068-2 standard. The series of single phase products can operate over a wide temperature range of -25°C to +80°C. These products also feature universal AC input voltage range from 85Vac to 264Vac and the power will not de-rate throughout the entire range. Another great feature is the conformal coating on the PCBA which allows selected models to be certified to ATEX and Class I, Div 2 for use in hazardous locations. The design conforms to harmonic current emission IEC/EN 61000-3-2, Class A.

### Model Information

CliQ II DIN Rail Power Supply

| Model Number   | Input Voltage Range    | Rated Output Voltage | Rated Output Current |
|----------------|------------------------|----------------------|----------------------|
| DRP024V120W1B□ | 85-264Vac (120-375Vdc) | 24Vdc                | 5.00A                |

### Model Numbering

| DR       | P            | 024V           | 120W         | 1            | B              | □   |
|----------|--------------|----------------|--------------|--------------|----------------|---|
| DIN Rail | Power Supply | Output Voltage | Output Power | Single Phase | CliQ II Series | A - Metal Case, with Class I, Div 2<br>N - Metal Case, without Class I, Div 2 |

# CliQ II DIN Rail Power Supply

## 24V 120W 1 Phase / DRP024V120W1B□

### Specifications

#### Input Ratings / Characteristics

|                                 |  |
|---------------------------------|--|
| Nominal Input Voltage           | 100-240Vac                                   |
| Input Voltage Range             | 85-264Vac                                    |
| Nominal Input Frequency         | 50-60Hz                                      |
| Input Frequency Range           | 47-63Hz                                      |
| DC Input Voltage Range*         | 120-375Vdc                                   |
| Input Current                   | < 2.20A @ 115Vac, < 1.10A @ 230Vac           |
| Efficiency at 100% Load         | > 89.0% @ 115Vac, > 90.0% @ 230Vac           |
| Max Power Dissipation           | 0% load < 0.7W @ 115Vac, < 1.0W @ 230Vac     |
|                                 | 100% load < 15.0W @ 115Vac, < 13.5W @ 230Vac |
| Max Inrush Current (Cold Start) | < 35A @ 115Vac & 230Vac                      |
| Leakage Current                 | < 1mA @ 240Vac                               |

\*Fulfills the test conditions for DC input. DC input safety approval can be obtained upon request.

#### Output Ratings / Characteristics\*\*

|  |  |
|--|--|
| Nominal Output Voltage                                   | 24Vdc  |
| Factory Set Point Tolerance                              | 24Vdc $\pm$ 2%   |
| Output Voltage Adjustment Range                          | 24-28Vdc   |
| Output Current   | 5.00A (continuously operating at 24V)<br>7.50A (Power Boost for 5 seconds at 24V, refer to the details in the Functions section) |
| Output Power   | 120W (continuously operating at 24V)<br>180W (Power Boost for 5 seconds at 24V, refer to the details in the Functions section)   |
| Line Regulation  | < 0.5% (@ 85-264Vac input, 100% load)  |
| Load Regulation  | < 1.0% (@ 85-264Vac input, 0-100% load)  |
| PARD*** (20MHz)  | < 150mVpp  |
| Rise Time  | < 100ms @ nominal input (100% load)  |
| Start-up Time  | < 1,000ms @ nominal input (100% load)  |
| Hold-up Time   | > 20ms @ 115Vac,<br>> 115ms @ 230Vac (100% load)   |
| Dynamic Response<br>(Overshoot & Undershoot O/P Voltage) | $\pm$ 5% @ 85-264Vac input, 0-100% load<br>(Slew Rate: 0.1A/ $\mu$ s, 50% duty cycle @ 5Hz to 1KHz)                              |
| Start-up with Capacitive Loads                           | 10,000 $\mu$ F Max   |

\*\*For power de-rating from 50°C to 80°C, see power de-rating on page 3.

\*\*\*PARD is measured with an AC coupling mode, 5cm wires, and in parallel with 0.1 $\mu$ F ceramic capacitor & 47 $\mu$ F electrolytic capacitor.

# CliQ II DIN Rail Power Supply

## 24V 120W 1 Phase / DRP024V120W1B□

### Mechanical

|                                   |  |                         |
|-----------------------------------|--|-------------------------|
| Case Cover / Chassis              | Aluminium  |                         |
| Dimensions (L x W x D)            | 121 x 50 x 123.1 mm (4.76 x 1.97 x 4.85 inch)      |                         |
| Unit Weight                       | 0.72 kg (1.59 lb)                                  |                         |
| Indicator                         | Green LED  | DC OK                   |
| Cooling System                    | Convection   |                         |
| Terminal                          | Input  | 3 Pins (Rated 300V/15A) |
|                                   | Output   | 4 Pins (Rated 300V/15A) |
| Wire                              | Input / Output                                     | AWG 20-12               |
| Mounting Rail                     | Standard TS35 DIN Rail in accordance with EN 60715 |                         |
| Noise (1 Meter from power supply) | Sound Pressure Level (SPL) < 40dBA                 |                         |

### Environment

|                             |                               |   |
|-----------------------------|-------------------------------|---|
| Surrounding Air Temperature | Operating                     | -25°C to +80°C (Cold Start at -40°C)  |
|                             | Storage                       | -40°C to +85°C  |
| Power De-rating             | Vertical Mounting             | > 50°C de-rate power by 2.5% / °C   |
|                             | Horizontal Mounting           | > 50°C de-rate power by 2.5% / °C   |
| Operating Humidity          | 5 to 95% RH (Non-Condensing)  |   |
| Operating Altitude          | 0 to 2,500 Meters (8,200 ft.) |   |
| Shock Test                  | Non-Operating                 | IEC 60068-2-27, 30G (300m/S <sup>2</sup> ) for a duration of 18ms, 1 time per direction, 2 times in total |
| Vibration                   | Non-Operating                 | IEC 60068-2-6, 10Hz to 500Hz @ 30m/S <sup>2</sup> (3G peak); 60 min per axis for all X, Y, Z direction    |
| Over Voltage Category       | III                           | According to IEC/EN 62477-1 / EN 60204-1 (clearance and creepage distances) and IEC 62103 (safety part)   |
| Pollution Degree            | 2                             |   |

### Protections

|                          |  |
|--------------------------|--|
| Overvoltage              | < 32V, ±10%, SELV Output, Hiccup Mode, Non-Latching (Auto-Recovery)          |
| Overload / Overcurrent   | > 150% of rated load current, Hiccup Mode, Non-Latching (Auto-Recovery)      |
| Over Temperature         | < 80°C Surrounding Air Temperature @ 100% load, Non-Latching (Auto-Recovery) |
| Short Circuit            | Hiccup Mode, Non-Latching (Auto-Recovery when the fault is removed)          |
| Internal Fuse at L pin   | T4AH   |
| Degree of Protection     | IP20   |
| Protection Against Shock | Class I with PE* connection  |

\*PE: Primary Earth

# CliQ II DIN Rail Power Supply

## 24V 120W 1 Phase / DRP024V120W1B□

### Reliability Data

|                        |   |
|------------------------|---|
| MTBF                   | > 800,000 hrs. as per Telcordia SR-332<br>I/P: 115Vac, O/P: 100% load, Ta: 25°C |
| Expected Cap Life Time | 10 years (115Vac & 230Vac, 50% load @ 40°C)                                     |

### Safety Standards / Directives

|  |   |   |
|--|---|---|
| Electrical Equipment of Machines                               | EN 60204-1 (over voltage category III)  |   |
| Electrical Equipment for Use in Electrical Power Installations | IEC/EN 62477-1 / IEC 62103  |   |
| Safety Entry Low Voltage                                       | PELV* (EN 60204-1), SELV (EN 60950-1)   |   |
| Electrical Safety  | SIQ Bauart  | EN 60950-1, EN 62368-1  |
|  | UL/cUL recognized   | UL 60950-1 and CSA C22.2 No. 60950-1 (File No. E191395)<br>UL 62368-1 and CSA C22.2 No. 62368-1 (File No. E191395)                                    |
|  | CB Scheme   | IEC 60950-1, IEC 62368-1  |
| Industrial Control Equipment                                   | UL/cUL listed   | UL 508 and CSA C22.2 No. 107.1-01 (File No. E315355)  |
|  | CSA   | CSA C22.2 No. 107.1-01 (File No. 181564)  |
| Hazardous Location / ATEX<br>(For DRP024V120W1BA)              | cCSAus  | CSA C22.2 No. 213-M1987, ANSI / ISA 12.12.01:2011<br>[Class I, Division 2, Group A, B, C, D T4, Ta = -25°C to +80°C<br>(> +50°C derating)]            |
|  | ATEX  | EN 60079-0:2009, EN 60079-15:2010 [Ex II 3G Ex nA nC IIC<br>T4 Gc, Ta = -25°C to +80°C (> +50°C derating)]<br><br>Certificate No. EPS 12 ATEX 1 491 X |
| CCC  | GB9254, GB17625.1 and GB4943.1<br>仅适用于海拔 2000m 以下地区安全使用   |   |
| CE   | In conformance with EMC Directive 2014/30/EU and<br>Low Voltage Directive 2014/35/EU<br><br>For DRP024V120W1BA:<br>In conformance with Equipment for explosive atmospheres<br>(ATEX) directive 2014/34/EU |   |
| Galvanic Isolation   | Input to Output   | 4.0KVac   |
|  | Input to Ground   | 1.5KVac   |
|  | Output to Ground  | 1.5KVac   |

\*Output must be earthed in the final unit in order to comply with PELV requirements according to standard EN 60204-1.

# CliQ II DIN Rail Power Supply

## 24V 120W 1 Phase / DRP024V120W1B□

### EMC

|  |                |  |
|--|----------------|--|
| Emissions (CE & RE)                    |                | Generic Standards: CISPR 32, EN 55032, CISPR 11, EN 55011, FCC Title 47: Class B                             |
| Component Power Supply for General Use |                | EN 61204-3   |
| Immunity                               |                | Generic Standards: EN 55024, EN 61000-6-1, EN 61000-6-2  |
| Electrostatic Discharge                | IEC 61000-4-2  | Level 4 Criteria A <sup>1)</sup><br>Air Discharge: 15kV<br>Contact Discharge: 8kV                            |
| Radiated Field                         | IEC 61000-4-3  | Level 3 Criteria A <sup>1)</sup><br>80MHz-1GHz, 10V/M, 80% modulation (1kHz)                                 |
| Electrical Fast Transient / Burst      | IEC 61000-4-4  | Level 3 Criteria A <sup>1)</sup><br>2kV  |
| Surge                                  | IEC 61000-4-5  | Level 3 Criteria A <sup>1)</sup><br>Common Mode <sup>2)</sup> : 2kV<br>Differential Mode <sup>3)</sup> : 1kV |
| Conducted                              | IEC 61000-4-6  | Level 3 Criteria A <sup>1)</sup><br>150kHz-80MHz, 10Vrms   |
| Power Frequency Magnetic Fields        | IEC 61000-4-8  | Criteria A <sup>1)</sup><br>30A/Meter  |
| Voltage Dips and Interruptions         | IEC 61000-4-11 | 100% dip; 1 cycle (20ms); Self Recoverable   |
| Low Energy Pulse Test (Ring Wave)      | IEC 61000-4-12 | Level 3 Criteria A <sup>1)</sup><br>Common Mode <sup>2)</sup> : 2kV<br>Differential Mode <sup>3)</sup> : 1kV |
| Harmonic Current Emission              |                | IEC/EN 61000-3-2, Class A  |
| Voltage Fluctuation and Flicker        |                | IEC/EN 61000-3-3   |

1) Criteria A: Normal performance within the specification limits

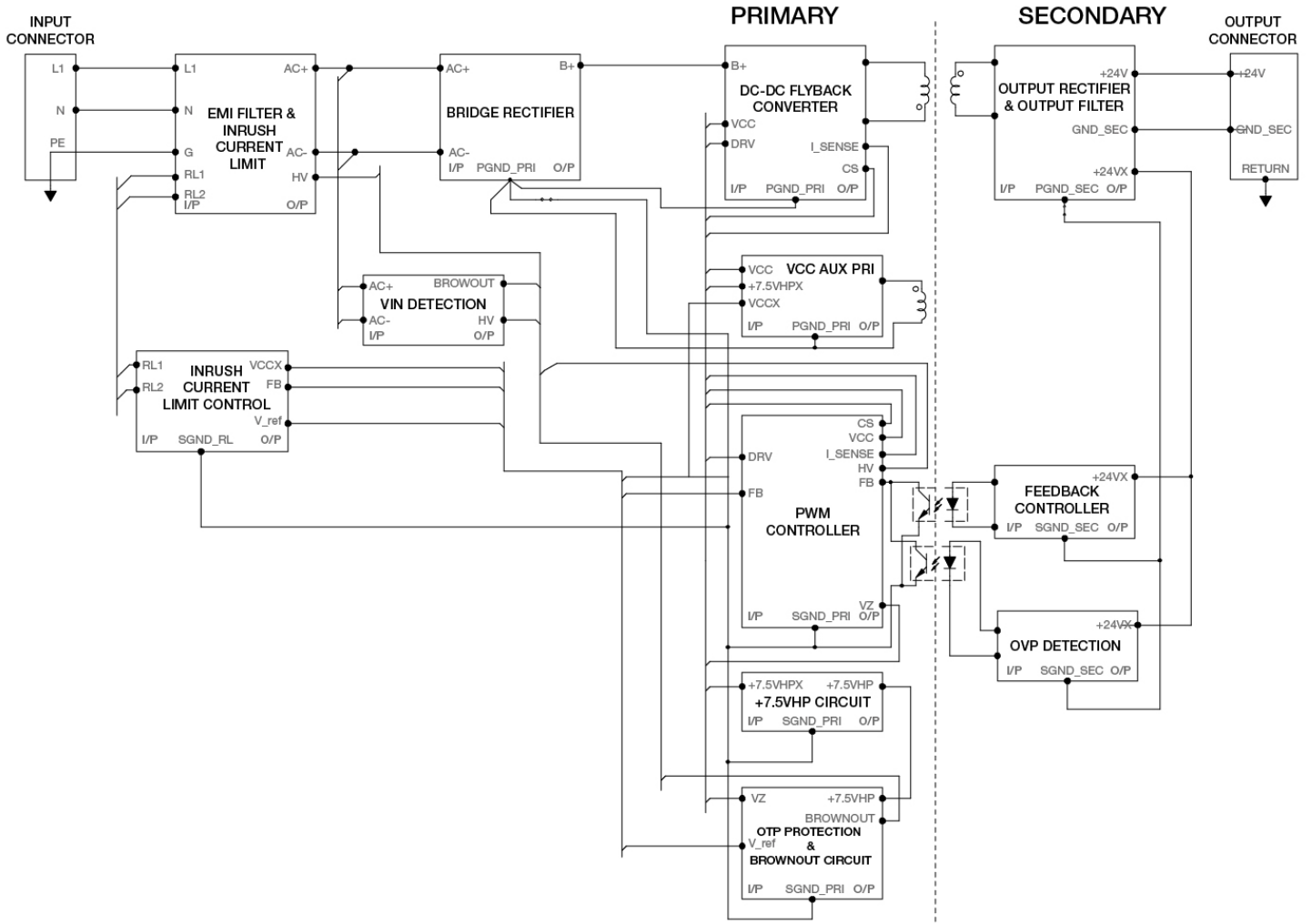
2) Asymmetrical: Common mode (Line to earth)

3) Symmetrical: Differential mode (Line to line)

# CliQ II DIN Rail Power Supply

24V 120W 1 Phase / DRP024V120W1B □

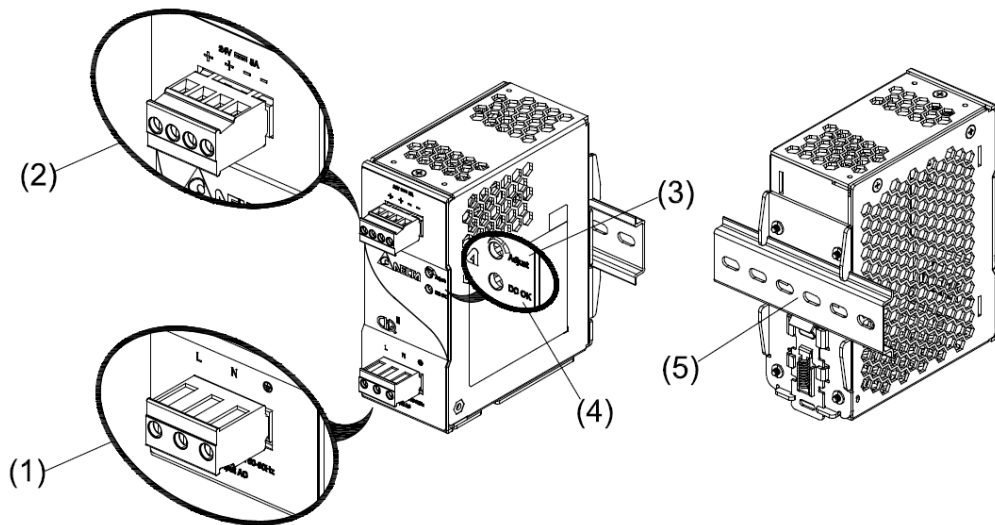
## Block Diagram



# CliQ II DIN Rail Power Supply

24V 120W 1 Phase / DRP024V120W1B□

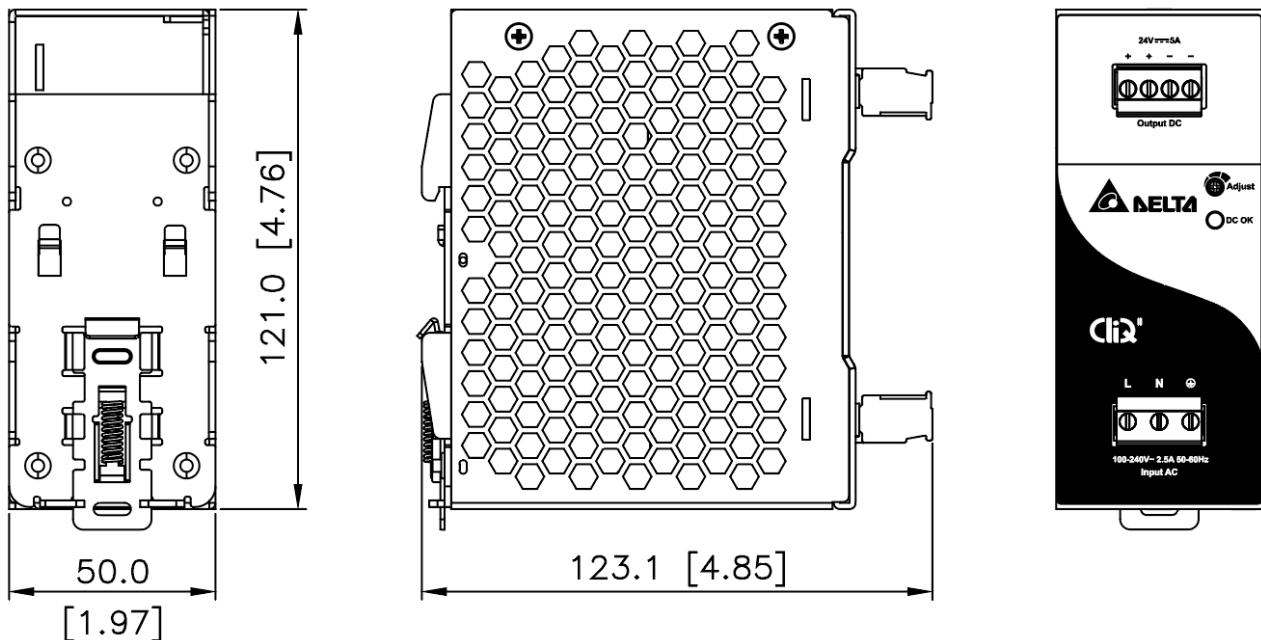
## Device Description



- 1) Input terminal block connector
- 2) Output terminal block connector
- 3) DC Voltage adjustment potentiometer
- 4) DC OK control LED (Green)
- 5) Universal mounting rail system

## Dimensions

L x W x D: 121 x 50 x 123.1 mm (4.76 x 1.97 x 4.85 inch)

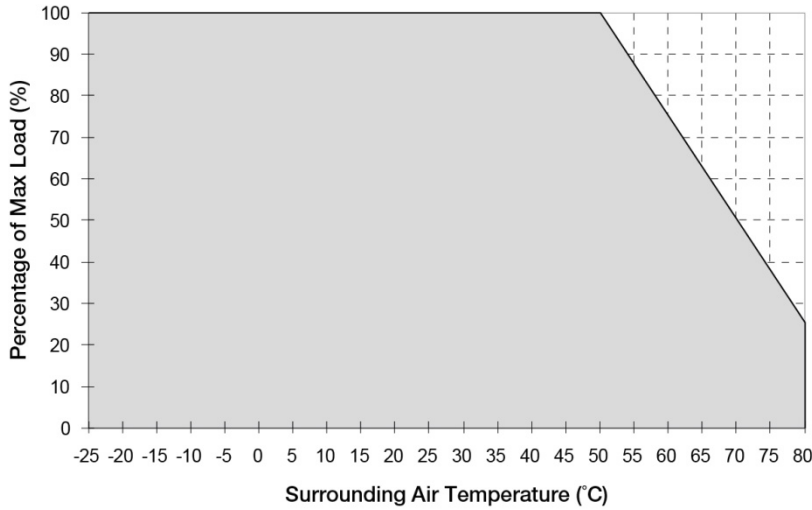


# CliQ II DIN Rail Power Supply

## 24V 120W 1 Phase / DRP024V120W1B □

### Engineering Data

#### Output Load De-rating VS Surrounding Air Temperature

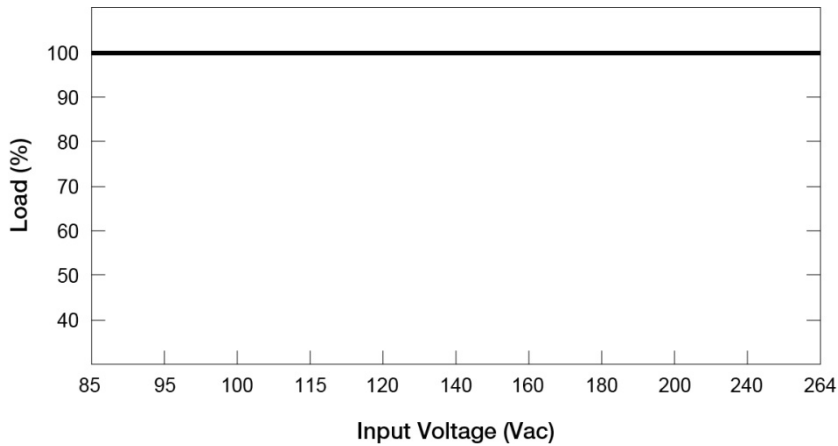


**Fig. 1 De-rating for Vertical and Horizontal Mounting Orientation**  
 > 50°C de-rate power by 2.5% / °C

#### Note

1. Power supply components may degrade, or be damaged, when the power supply is continuously used outside the shaded region, refer to the graph shown in Fig. 1.
2. If the output capacity is not reduced when the surrounding air temperature exceeds its specification as defined on Page 3 under “Environment”, the device may run into Over Temperature Protection. When activated, the output voltage will go into bouncing mode and will recover when the surrounding air temperature is lowered or the load is reduced as far as necessary to keep the device in working condition.
3. In order for the device to function in the manner intended, it is also necessary to keep a safety distance as recommended in the safety instructions while the device is in operation.
4. Depending on the surrounding air temperature and output load delivered by the power supply, the device can be very hot!
5. If the device has to be mounted in any other orientation, please contact [info@deltapsu.com](mailto:info@deltapsu.com) for more details.

#### Output Load De-rating VS Input Voltage



- No output power de-rating across the entire input voltage range



# CliQ II DIN Rail Power Supply

24V 120W 1 Phase / DRP024V120W1B□

## Assembly & Installation

The power supply unit (PSU) can be mounted on 35mm DIN rails in accordance with EN 60715. The device should be installed with input terminal block at the bottom.

Each device is delivered ready to install.

### Mounting

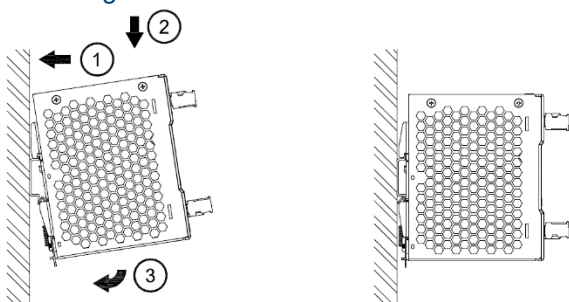


Fig. 2.1 Mounting

Snap on the DIN rail as shown in Fig. 2.1:

1. Tilt the unit upwards and insert it onto the DIN rail.
2. Push downwards until stopped.
3. Press against the bottom front side for locking.
4. Shake the unit slightly to ensure that it is secured.

### Dismounting

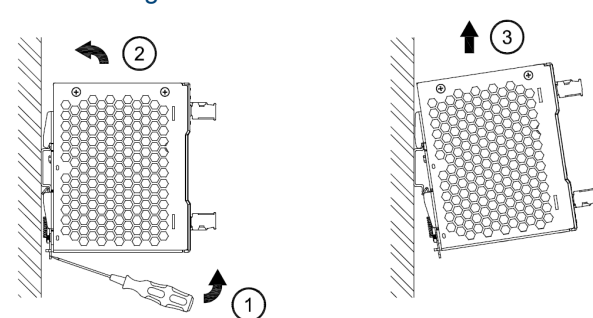


Fig. 2.2 Dismounting

To uninstall, pull or slide down the latch with screw driver as shown in Fig. 2.2. Then slide the power supply unit (PSU) in the opposite direction, release the latch and pull out the power supply unit (PSU) from the rail.

## Connection

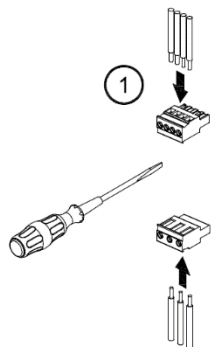


Fig. 3.1

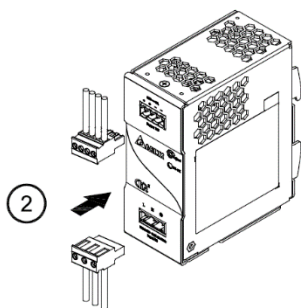


Fig. 3.2

**CAUTION:** Must tighten wire to housing (Fig. 3.1) before plugging into the terminal block connection (Fig. 3.2).

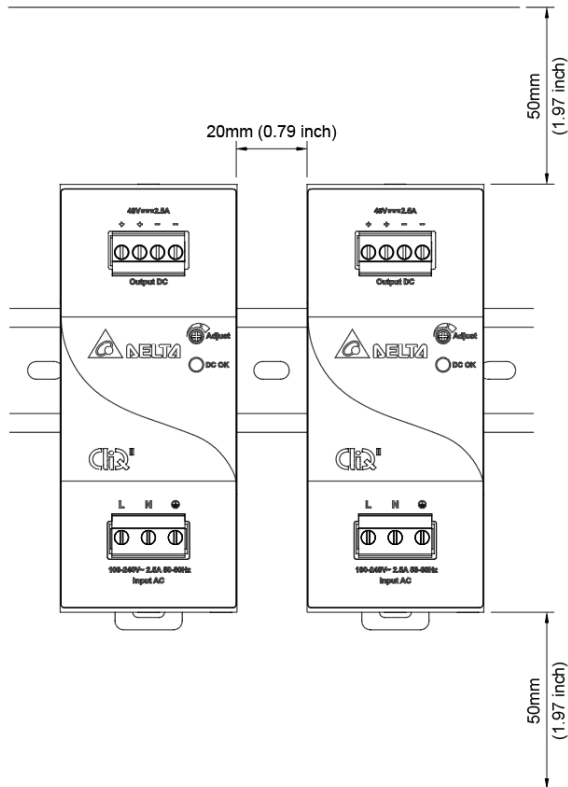
In accordance to EN 60950 / UL 60950 and EN 62368 / UL 62368, flexible cables require ferrules. Use appropriate copper cables designed to sustain operating temperature of 60°C / 75°C or more to fulfill UL requirements.

# CliQ II DIN Rail Power Supply

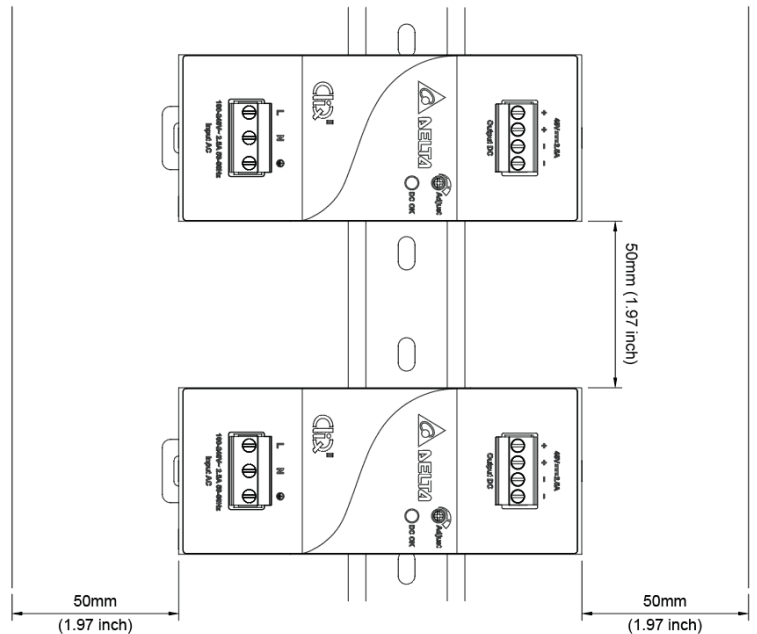
## 24V 120W 1 Phase / DRP024V120W1B□

### Safety Instructions

#### ■ Vertical Mounting



#### ■ Horizontal Mounting



- ALWAYS switch mains of input power OFF before connecting and disconnecting the input voltage to the unit. If mains are not turned OFF, there is risk of explosion / severe damage.
- **To guarantee sufficient convection cooling, please refer the following instructions to ensure sufficient clearance around the device.**  
**Vertical Mounting:** 50mm (1.97 inch) above and below the device as well as a lateral distance of 20mm (0.79 inch) to other units.  
**Horizontal Mounting:** 50mm (1.97 inch) above and below the device as well as a lateral distance of 50mm (1.97 inch) to other units.
- Note that the enclosure of the device can become very hot depending on the surrounding air temperature and load of the power supply. Risk of burns!
- Only plug in and unplug connectors when power is turned off!
- DO NOT insert any objects into the unit.
- Hazardous voltages may be present for up to 5 minutes after the input mains voltage is disconnected. Do not touch the unit during this time.
- The power supplies are built in units and must be installed in a cabinet or room (condensation free environment and indoor location) that is relatively free of conductive contaminants.
- CAUTION: "For use in a controlled environment".

#### For DRP024V120W1BA:

- The power supplies unit must be installed in an IP54 enclosure or cabinet in the final installation. The enclosure or cabinet must comply with EN 60079-0 or EN 60079-15.
- Warning: Explosion Hazard - Substitution of components may impair suitability for Class I, Division 2.
- Warning: Explosion Hazard - Do not disconnect equipment or adjust potentiometer unless the power has been switched off or the area is known to be non-hazardous.

# CliQ II DIN Rail Power Supply

24V 120W 1 Phase / DRP024V120W1B □

## Functions

- Graph illustrating the Start-up Time, Rise Time, and Hold-up Time



## Start-up Time

The time required for the output voltage to reach 90% of its final steady state set value, after the input voltage is applied.

## Rise Time

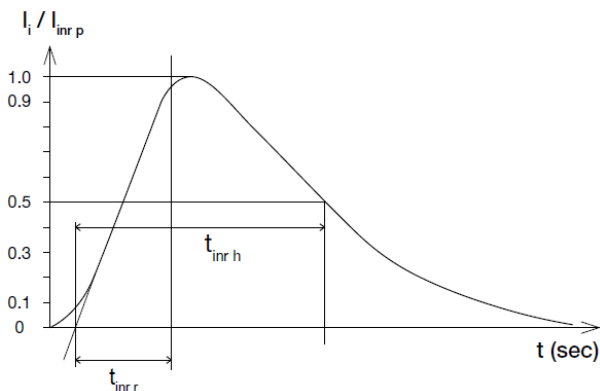
The time required for the output voltage to change from 10% to 90% of its final steady state set value.

## Hold-up Time

Time between the collapse of the AC input voltage, and the output falling to 95% of its steady state set value.

## Inrush Current

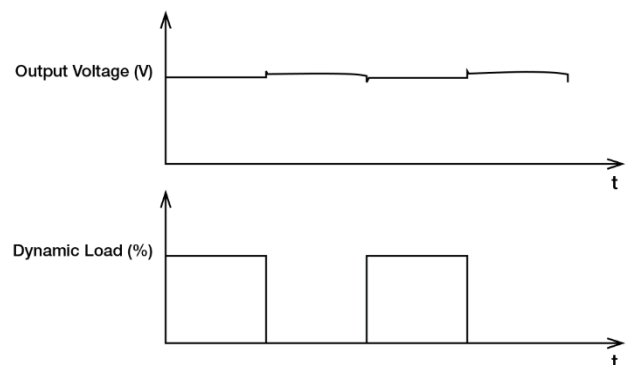
Inrush current is the peak, instantaneous, input current measured and, occurs when the input voltage is first applied. For AC input voltages, the maximum peak value of inrush current will occur during the first half cycle of the applied AC voltage. This peak value decreases exponentially during subsequent cycles of AC voltage.



## Dynamic Response

The power supply output voltage will remain within  $\pm 5\%$  of its steady state value, when subjected to a dynamic load from 0% to 100% of its rated current.

- 50% duty cycle / 5Hz to 1KHz



# CliQ II DIN Rail Power Supply

## 24V 120W 1 Phase / DRP024V120W1B □

### Power Boost

Power Boost is the reserve power available constantly that allows reliable startup to support sudden and short spike of loads with high inrush current typically during turn on to remove the need of more expensive higher rated power supply unit. After the output has reached its steady state set value, the power supply can support surge loads with a higher short-term power demand up to 150% of maximum rated load ( $I_o \text{ Max}$ ), for a maximum duration of 5 seconds. The Power Boost is also available to repeatedly basis with according to the condition of an average (R.M.S) output power shall not exceed continuous operating condition or refer to duty cycle calculation below.



Fig. 4 Duty Cycle Calculation

$$\text{Duty cycle (\%)} = \frac{T_p}{\text{Total Time}}$$

$$\text{Average Output Power (P}_{Avg}\text{)} = \frac{(\text{Power Boost} \times T_p) + (\text{Non-Peak Power} \times T_n)}{\text{Total Time}}$$

OR

$$\text{Non-Peak Power} = \frac{(\text{P}_{Avg} \times \text{Total Time}) - (\text{Power Boost} \times T_p)}{T_n}$$

### ■ An example of Power Boost and Average Output Power

| Power Boost | Peak Power (W <sub>P</sub> ) | Power Boost Duration (T <sub>P</sub> ) | Duty Cycle | Non-Peak Power (W <sub>N</sub> ) | Non-Peak Power Duration (T <sub>N</sub> ) | Total Time (T) |
|-------------|------------------------------|--|------------|----------------------------------|---|----------------|
| 150%        | 180                          | 5 sec                                  | 10%        | 113W                             | 45 sec                                    | 50 sec         |
| 150%        | 180                          | 5 sec                                  | 35%        | 88W                              | 9.3 sec                                   | 14.3 sec       |
| 120%        | 144                          | 10 sec                                 | 20%        | 114W                             | 40 sec                                    | 50 sec         |
| 120%        | 144                          | 10 sec                                 | 35%        | 107W                             | 18.5 sec                                  | 28.5 sec       |

It is not recommended to prolong the duration of Power Boost to be longer than the specified duty cycle calculation, this may cause damage to the PSU.

### External Input Protection Device

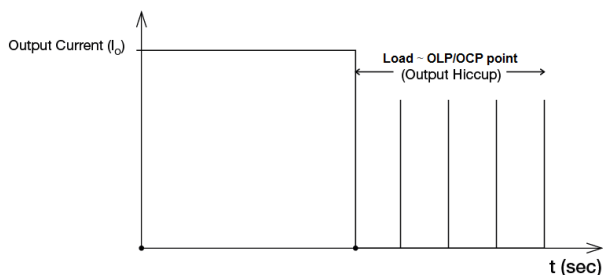
The unit is protected at the L pin, with an internal fuse that cannot be replaced. The power supply has been tested and approved on 20A (UL) and 16A (IEC) branch circuits without additional protection device. An external protection device is only required if the supplying branch has an ampacity greater than above. Thus, if an external protective device is necessary, or, utilized, please refer a minimum value of 10A B- or 6A C- characteristic breaker.

# CliQ II DIN Rail Power Supply

24V 120W 1 Phase / DRP024V120W1B □

## Overload & Overcurrent Protections (Auto-Recovery)

The power supply's Overload (OLP) and Overcurrent (OCP) Protections will be activated when output current ( $I_o$ ) exceeds its specification as defined on Page 3 under "Protections". In such occurrence, the output voltage ( $V_o$ ) will start to droop and once the power supply has reached its maximum power limit, the protection is activated and the power supply will go into "Hiccup mode" (Auto-Recovery). The power supply will recover once the fault condition of the OLP and OCP is removed and  $I_o$  is back within the specifications.



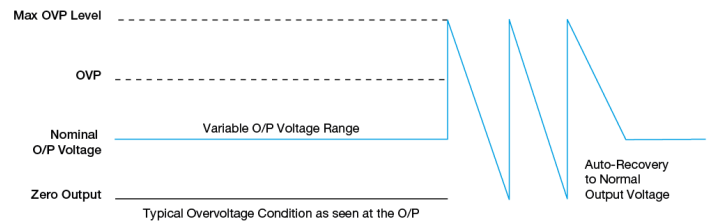
It is not recommended to prolong the duration of  $I_o$  when it is less than OLP/OCP point, but greater than 100%, since it may cause damage to the PSU.

## Short Circuit Protection (Auto-Recovery)

The power supply's output OLP/OCP function also provides protection against short circuits. When a short circuit is applied, the output current will operate in "Hiccup mode", as shown in the illustration in the OLP/OCP section on this page. The power supply will return to normal operation after the short circuit is removed.

## Overvoltage Protection (Auto-Recovery)

The power supply's overvoltage circuit will be activated when its internal feedback circuit fails. The output voltage shall not exceed its specifications defined on Page 3 under "Protections".



## Over Temperature Protection (Auto-Recovery)

As mentioned above, the power supply also has Over Temperature Protection (OTP). In the event of a higher operating temperature at 100% load, the power supply will run into OTP when the operating temperature is beyond what is recommended in the de-rating graph. When activated, the output voltage will go into bouncing mode until the temperature drops to its normal operating temperature as recommended in the de-rating graph.

# CliQ II DIN Rail Power Supply

## 24V 120W 1 Phase / DRP024V120W1B □

### Operating Mode

#### ■ Redundant Operation

In order to ensure proper redundant operation for the power supply unit (PSU), the output voltage difference between the two units must be kept at 0.45~0.50V for 24V supplies. Follow simple steps given below to set them up for the redundant operation:

##### Step 1.

Measure output voltage of PSU 1 and PSU 2. If PSU 1 is the master unit, then  $V_O$  of PSU 1 must be higher than PSU 2. In order to set the output voltage, individually connect the power supply to 50% of rated load at any line voltage from 85-264Vac, and set the PSU 1 and PSU 2 output voltage.

##### Step 2.

Connect the power supply units PSU 1 and PSU 2 to Vin 1 & Vin 2, respectively, of the DRR-20N (or 20A) module shown on the diagram on the right.

##### Step 3.

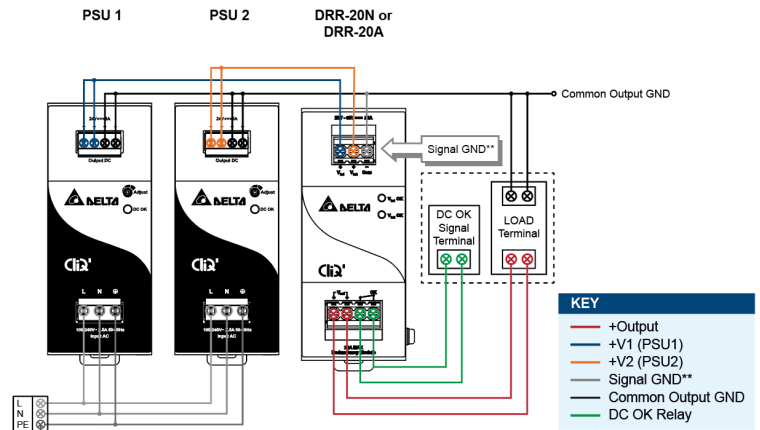
Connect the system load from  $V_{out}$ . Please note that output voltage  $V_{out}$  from DRR module will be  $= V_O$  (output voltage of power supply)  $- V_{drop}^*$  (in DRR module).

\* $V_{drop}$  will vary from 0.60V to 0.90V (Typical 0.65V) depending on the load current and surrounding air temperature.

#### ■ Parallel Operation

The power supply units (PSUs) can also be used for parallel operation in order to increase the output power. The difference in output voltage between the two units must be kept to within 25mV of each other. This difference must be verified with the same output load connected independently to each unit.

Parameters such as EMI, inrush current, leakage current, PARD, start up time will be different from those on the datasheet, when two units are connected in parallel. The user will need to verify that any differences will still allow the two power supplies connected in parallel will work properly in their product/application.



\*\*The Signal GND in the DRR module is for the built-in LED and DC OK signals. The Output GND terminals from the two PSU's do not need to be connected to the Signal GND terminal.

Fig. 5 Redundant Operation Connection Diagram

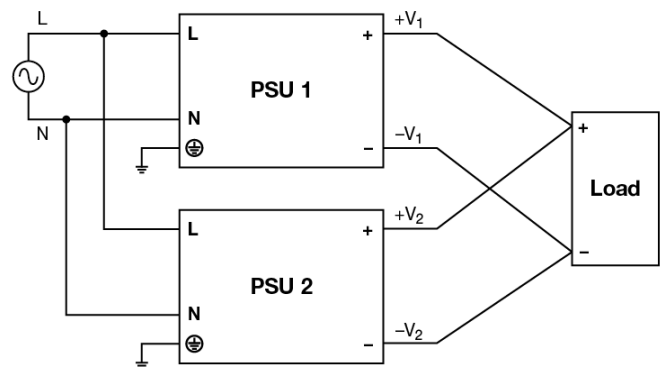


Fig. 6 Parallel Operation Connection Diagram

# CliQ II DIN Rail Power Supply

24V 120W 1 Phase / DRP024V120W1B□

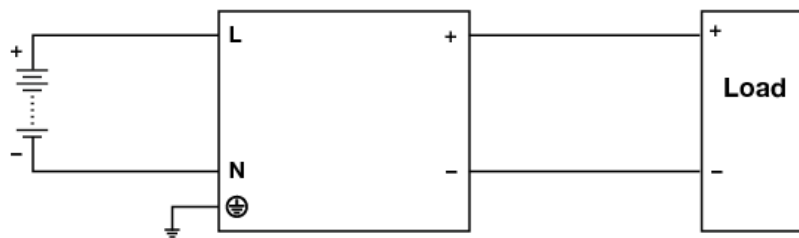


Fig. 7 DC Input Operation Connection Diagram

## ■ DC Input Operation

**Step 1.**  
Use a battery or similar DC source.

**Step 2.**  
Connect +pole to L and -pole to N.

**Step 3.**  
Connect the PE terminal to an earth wire or to the machine ground.

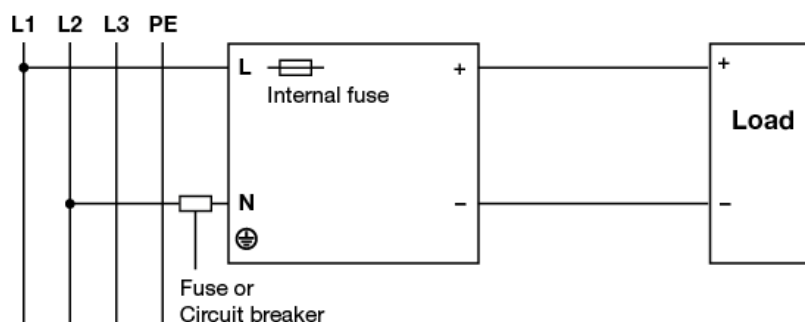


Fig. 8 2 of 3 Phase System Input Operation Connection Diagram

## ■ 2 of 3 Phase System Input Operation

Delta's CliQ II can use on 2 of 3 phase system. Please refer to the following step.

**Step 1.**  
The input voltage applied from Line to Neutral is below the maximum rated input. The input voltage shall be below 240Vac +10%.

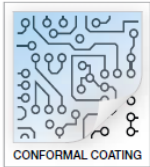
**Step 2.**  
The external protector is needed on N (Neutral) input line to secure a safety. N line does not have internal fuse protection. An appropriate fuse or circuit breaker should be connected in series with N input line connection like the following.

# CliQ II DIN Rail Power Supply

## 24V 120W 1 Phase / DRP024V120W1B□

### Others

#### Conformal Coating

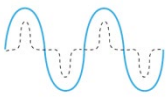


#### The Protective Coating Technology

Delta Electronics Group has designed the perfect dipping technique which penetrates everywhere including under device, and prevents leakage. The conformal coating dipping can be applied to PCBAs or circuit board. The coating preserves the performance of precision electronic primarily by preventing ionizable contaminants such as salt from reaching circuit nodes, where the material slumps around sharp edges. This can be a problem especially in highly conversing atmosphere.

#### PFC – Norm EN 61000-3-2

#### Line Current Harmonic content



Typically, the input current waveform is not sinusoidal due to the periodical peak charging of the input capacitor. In industrial environment, complying with EN 61000-3-2 is only necessary under special conditions. Complying to this standard can have some technical drawbacks, such as lower efficiency as well as some commercial aspects such as higher purchasing costs. Frequently, the user does not profit from fulfilling this standard, therefore, it is important to know whether it is mandatory to meet this standard for a specific application.

#### Attention

Delta provides all information in the datasheets on an “AS IS” basis and does not offer any kind of warranty through the information for using the product. In the event of any discrepancy between the information in the catalog and datasheets, the datasheets shall prevail (please refer to [www.DeltaPSU.com](http://www.DeltaPSU.com) for the latest datasheets information). Delta shall have no liability of indemnification for any claim or action arising from any error for the provided information in the datasheets. Customer shall take its responsibility for evaluation of using the product before placing an order with Delta.

Delta reserves the right to make changes to the information described in the datasheets without notice.



# Mouser Electronics

Authorized Distributor

Click to View Pricing, Inventory, Delivery & Lifecycle Information:

[Delta Electronics:](#)

[DRP024V120W1BN](#) [DRP024V120W1BA](#)