

# Medical/Industrial AC-DC Configurable Power Supply

## Up to 2100 Watt / MEG-A Series

### Highlights & Features

- Up to 21.6 W/inch<sup>3</sup> Power Density for MEG-1K2A
- Up to 26.4 W/inch<sup>3</sup> Power Density for MEG-2K1A6
- Full Power up to 50°C Ambient
- Up to 500 kHrs MTBF
- 2xMOPP Isolation for Medical Application
- Output selectable from 2 V to 60 V
- Current sharing
- Class B Conducted and Radiated EMI
- IEC 60601-1-2 4<sup>th</sup> edition immunity compliance
- Normal and Reversed Option for Global Remote On/Off & Air Flow Direction without power de-rating
- Analog and Digital Voltage Trimming
- PMBus Ver 1.3 Supported
- Intelligent Fan Speed Control
- Optional RS485/RS232/USB Communication Adapters
- PC GUI for easy parameter setting and monitoring

### Safety Certifications

- IEC 60601-1 2<sup>nd</sup> edition
- IEC 60601-1 3<sup>rd</sup> edition + A1
- CB report
- UL 60601-1+CAN/CSA 60601-1 (Ed.3.2005)
- IEC 62368-1 CB report
- UL 62368-1+CAN/CSA 62368-1
- SEMI F47



<b>Dimensions</b>			
MEG-1K2A4	88.9 x 254 x 40.5mm	3.5 x 10 x 1.59 inch	
MEG-2K1A6	127 x 254 x 40.5mm	5 x 10 x 1.59 inch	
<b>Input</b>			
Input Voltage	90 VAC ~ 264 VAC		
Input Frequency	47 Hz ~ 63 Hz		
Input Current	<15 A		
Inrush Current	<40 A		
Power Factor	>0.95 @ rated load		
Efficiency	Up to 93% <sup>1)</sup>		
Patient Leakage Current	<100 uA normal, <500 uA SFC		
Earth Leakage Current	<300 uA normal, <1 mA SFC		
<b>Output Module</b>			
Output Number	Single Output		Dual Output
Consuming Slots	Single Slot	Triple Slot	Single Slot
Output Voltage	2 V ~ 60 V	8 V ~ 60 V	3.3 V ~ 30 V
Output Power	300 W Max	1200 W Max	240 W Max
Ripple & Noise	<1% Vrated pk-pk or 100 mV, which is larger		
Standby Power	5 V / 1 A (No minimum load required)		
<b>Environmental</b>			
MTBF	500 KHrs		
Operation Temperature	-20°C ~ 70°C <sup>2)</sup>		
Operation Altitude	5000 m or 50 kPa		

1) Exclude fan power

2) Power de-rating with temperature above 50°C, refer to power de-rating curve for detail

# Medical/Industrial AC-DC Configurable Power Supply

## Up to 2100 Watt / MEG-A Series

### Model Numbering

<b>MEG</b>	-	<b>2K1</b>		<b>A</b>		<b>6</b>		<b>X</b>		<b>Y-Y-Y-Y</b>		<b>ZZZZZ</b>
<b>ME: Delta Medical Power Supply</b> G: Configurable		<b>Max Wattage in Product Series</b> 2K1: 2,100W 1K2: 1,200W		<b>Family Code</b> A series		<b>Slot Number</b> 4: 4 Slots 6: 6 Slots		<b>Inlet Type</b> T: US Terminal E: EU Terminal C: C14		<b>Output Configurations</b> See below		<b>PSU Configuration</b> See below

### Model Information:

Model Number	Output Slots	Input Voltage	Maximum Power
MEG-1K2A4	4	90-160 Vac	Input Current Limit to 8.5 A
		160-264 Vac	1200 W
MEG-2K1A6	6	90-160 Vac	Input Current Limit to 15 A
		160-264 Vac	2100 W

### Output Configurations:

<b>Y-Y-Y-Y</b>
<b>Output Configurations</b>
See below

For single output **module**, output module code combined with a voltage code and a current code.

For dual output module, output module code is combined with two voltage code.

Please check Table 1 for all available combinations.

#### For example:

J1: 12 V, 25 A, single slot, single output module.

O2: 24 V, 50 A, triple slot, single output module.

OJ: Dual output module, one 24 V/4 A output, one 12 V/5 A output.

Split the modules with a “-”.

If any slot to be left empty, use code “NU”.

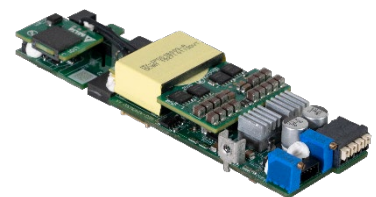
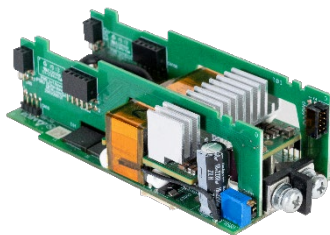
# Medical/Industrial AC-DC Configurable Power Supply

## Up to 2100 Watt / MEG-A Series

Output Modules:

Table 1. Output Modules

Voltage Code		Current Code					
		Single Slot Module		Triple Slot Module		Single Slot Dual Output Module	
		1		2			
Code	Voltage	Current	Power (max)	Current	Power (max)	V1 or V2 Current	V1 or V2 Power (max)
A	2.0 V	45.0 A	90 W	-	-	-	-
B	2.4 V	45.0 A	108 W	-	-	-	-
C	3.0 V	45.0 A	135 W	-	-	-	-
D	3.3 V	45.0 A	149 W	-	-	5.0 A	16.5 W
E	5.0 V	45.0 A	225 W	-	-	5.0 A	25 W
F	5.5 V	45.0 A	248 W	-	-	5.0 A	27.5 W
G	6.0 V	42.0 A	252 W	-	-	5.0 A	30 W
H	8.0 V	25.0 A	200 W	100.0 A	800 W	5.0 A	40 W
I	10.0 V	25.0 A	250 W	100.0 A	1000 W	5.0 A	50 W
J	12.0 V	25.0 A	300 W	100.0 A	1200 W	5.0 A	60 W
K	14.0 V	21.4 A	300 W	85.7 A	1200 W	5.0 A	70 W
L	15.0 V	20.0 A	300 W	73.3 A	1100 W	5.0 A	75 W
M	18.0 V	16.7 A	300 W	61.1 A	1100 W	5.0 A	90 W
N	20.0 V	15.0 A	300 W	53.0 A	1060 W	5.0 A	100 W
O	24.0 V	12.5 A	300 W	50.0 A	1200 W	4.0 A	96 W
P	28.0 V	10.7 A	300 W	42.8 A	1200 W	4.0 A	112 W
Q	30.0 V	10.0 A	300 W	33.3 A	1000 W	4.0 A	120 W
R	32.0 V	9.4 A	300 W	34.4 A	1100 W	-	-
S	36.0 V	8.3 A	300 W	33.3 A	1200 W	-	-
T	42.0 V	7.1 A	300 W	28.6 A	1200 W	-	-
U	48.0 V	6.3 A	300 W	25.0 A	1200 W	-	-
V	54.0 V	5.5 A	300 W	22.2 A	1200 W	-	-
W	60.0 V	5.0 A	300 W	20.0 A	1200 W	-	-

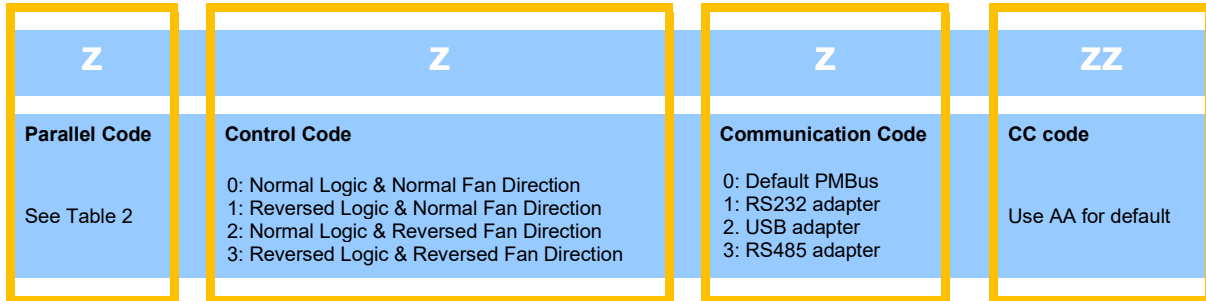


# Medical/Industrial AC-DC Configurable Power Supply

## Up to 2100 Watt / MEG-A Series

### PSU Configurations:

Use following definition for PSU configurations



### Parallel Code:

Parallel feature is available for the same output modules. Select parallel code, Delta will parallel the outputs before shipping to customer. Parallel feature is designed for single slot modules and only two modules can be paralleled. Triple slot modules and dual output module cannot support this option. Please notes that trimming the paralleled output voltage through potentiometer is forbidden on customer side. If customer needs to adjust output voltage after paralleling modules, please consult Delta for support.

Table 2 Parallel Code

Code	1	2	3	4	5	6
0	No Parallel					
A	█					
B		█				
C			█			
D				█		
E					█	
F	█		█			
G	█			█		
H	█				█	
I	█		█		█	
J		█		█		
K		█			█	
L			█		█	

### Examples:

**MEG-1K2A4T J1-J1-O1-C1 A00AA**

4 Slots, US Terminal type input, two 12 V modules in parallel, one 24 V module, one 3 V module

**MEG-2K1A6C J1-J1-J1-O1-O1-KP 011AA**

6 Slots, C14 inlet, three 12 V module, two 24 V module, one dual output module with 14 V and 28 V output, no parallel, reversed logic, with optional RS232 control module

**MEG-1K2A4E O2-KP 000AA**

4 Slots, European Terminal type input, one triple slot 24 V module, one dual output module with 14V and 28 V output

**MEG-2K1A6C J2-O1-O1-NU D00AA**

6 Slots, C14 inlet, one triple slot 12 V module, two 24 V modules in parallel, Slot 6 left empty.

# Medical/Industrial AC-DC Configurable Power Supply

## Up to 2100 Watt / MEG-A Series

### Specifications

#### Input Ratings / Characteristics

Nominal Input Voltage	100-240 Vac
Input Voltage Range	90-264 Vac
Nominal Input Frequency	50-60 Hz
Input Frequency Range	47-63 Hz
Input Current (max)	MEG-1K2A: 8.5 A MEG-2K1A: 15 A
Input Surge Voltage (max)	300 Vac for 100 ms
Full load Efficiency (typ.)	90% @ 115 Vac/60 Hz 93% @ 230 Vac/50 Hz
Inrush Current (max)	40A @ 230 Vac, cold start
Power Factor (min)	>0.95 @ 115 V/50 Hz, 230 V/50 Hz, full load

#### Output Ratings / Characteristics

Total Regulation	±3%
Output Power	Up to 300 W per single slot module, 1200 W per triple slot module
Output Voltage Trimming range	±10% of module rated output voltage
Line Regulation (max)	±0.5%
Load Regulation (max)	±1%
Ripple & Noise (typ.)	1% pk-pk Vrated or 100 mV, which is greater
Start-up Time (max)	3000 ms @ 115 Vac
Hold-up Time (min)	12 ms @ rated load, with nominal input range 20 ms @ 1200 W load, with nominal input range for 6 slot series 20 ms @ 640 W load, with nominal input range for 4 slot series Half rated load @200 Vac/240 Vac for SEMI F47
Dynamic Response (Overshoot & Undershoot O/P Voltage)	±5% @ with 50-100% load change ±6% @ with 50-100% load change for H2/I2/J2
Capacitive load (max)	Single Slot Single Output Module: 1500 uF on each load Triple Slot Single Output Module: 2800 uF on each load Single Slot Dual Output Module: 1000 uF on each load
Rise time (max)	100 ms
Remote Sense	Up to 500 mV compensation for voltage drop across external wire connections to load. Short and reverse connection protected.
Inhibit	Default ON, see detail in description
Power Good	Open collector signal when output is in regulation. See application note for detail

# Medical/Industrial AC-DC Configurable Power Supply

## Up to 2100 Watt / MEG-A Series

### Global Control

AC Fail	Open collector signal. Pulled low when AC input is removed.
Global Inhibit	Default ON, see detail in description
PMBus	PMBus Ver 1.3 through I <sup>2</sup> C

### Standby Ratings / Characteristics

Nominal Output Voltage of standby output	5 V
Nominal Output Current of standby output	1.0 A
Total Regulation of standby output	±3%
Ripple & Noise of standby output	100 mV max (Refer to Fig. 1)

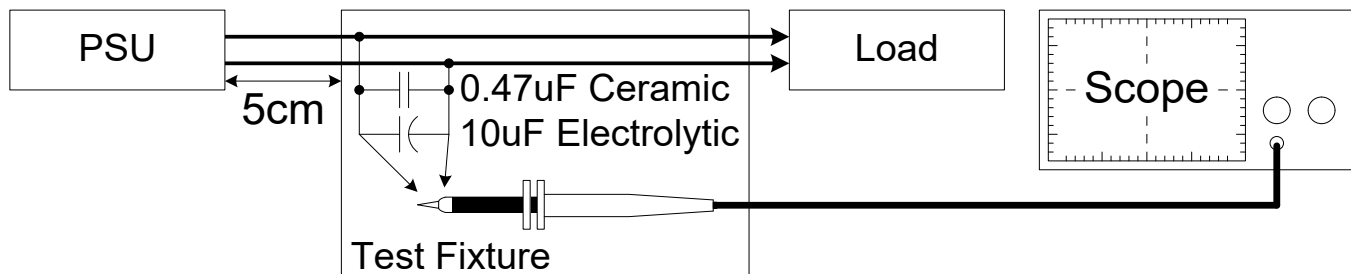


Figure 1. Ripple & Noise Measurement Circuit

### Mechanical

Case Material	SGCC
Dimensions (W x L x H)	88.9 x 254 x 40.5mm 3.5 x 10 x 1.59 inch (MEG-1K2A4) 127 x 254 x 40.5mm 5 x 10 x 1.59inch (MEG-2K1A6)
Unit Weight	<1.3 kg or 2.86 lbs (MEG-1K2A4) <2 kg or 4.41 lbs (MEG-2K1A6)

### Environment

Surrounding Air Temperature	Operating	Absolute Maximum/Minimum Rating. -20°C to +70°C. Refer to detailed linearly power de-rating curves on page 17&18.
	Storage	-40°C to +85°C
Operating Humidity		5-95% RH (Non-Condensing)
Operating Altitude		Up to 5,000 meters (up to 16,400 feet or 106-54 kPa)
Non-Operating Altitude		Up to 5,575 meters (up to 18,290 feet or 106-50 kPa)
Shock Test	Non-Operating	50 G, 11 ms, 3 shocks for each direction
Vibration	Non-Operating	5-500 Hz, 2 Grms, 20 minute for each three axis

# Medical/Industrial AC-DC Configurable Power Supply

## Up to 2100 Watt / MEG-A Series

### Protections

Overvoltage	Latch off. Reset by recycling AC or through I <sup>2</sup> C		
	Min	Nom	Max
	110%	117%	130%
Overload / Overcurrent	Hiccup Mode (Non-Latching, Auto-Recovery)		
	Min	Nom (default)	Max
	110%	115%	130%
The OCP value can be programmed from default 115% down to 0 through I <sup>2</sup> C for single slot modules and dual output modules.			
Over Temperature	Latch off		
Short Circuit	Hiccup Mode (Non-Latching, Auto-Recovery)		

### Reliability Data

MTBF (Minimum) at 160Vac, 35°C (1800W for MEG-2K1A6, 1200W for MEG-1K2A4)	>500 kHrs based on Telecordia SR-332
--	--------------------------------------

### Safety Standards / Directives

Medical Safety	IEC 60601-1 3 <sup>rd</sup> +A1 CB report UL 60601-1+CAN/CSA 60601-1: (Ed.3.2005)	
ITE Safety	IEC 62368-1 CB report UL 62368-1+CAN/CSA 62368-1	
CE	MDD Directive 93/42/EEC	
Galvanic Isolation	Input to Output (2xMOPP)	4000 Vac
	Input to Ground (1xMOPP)	1500 Vac
	Output to Ground	500 Vac (Type B application rated)
	Output to Output	500 Vac

# Medical/Industrial AC-DC Configurable Power Supply

## Up to 2100 Watt / MEG-A Series

### EMC

EMC / Emissions		EN55011/EN55032, FCC Title 47:Class B
Harmonic Current Emissions	IEC61000-3-2	Meet Class A limit
Immunity to		
Voltage Flicker	IEC61000-3-3	
Electrostatic Discharge	IEC61000-4-2	Level 4 Criteria A <sup>1)5)</sup> Air Discharge: 15 kV Contact Discharge: 8 kV
Radiated Field	IEC61000-4-3	Level 3 Criteria A <sup>1)</sup> 80 MHz-1000 MHz, 10 V/m AM modulation
	IEC60601-1-2	Criteria A <sup>1)5)</sup> 80 MHz-2700 MHz, 10 V/m AM modulation 385 MHz-5785 MHz, 28 V/m Pulse mode and other modulation
Electrical Fast Transient / Burst	IEC61000-4-4	Level 3 Criteria A <sup>1)</sup> :2 kV
Surge	IEC61000-4-5	Level 3 Criteria A <sup>1)5)</sup> Common Mode <sup>3)</sup> : 2 kV Differential Mode <sup>4)</sup> : 1 kV
Conducted	IEC61000-4-6	Level 2 Criteria A <sup>1)5)</sup> 150 kHz-80 MHz, 3 Vrms, 6 Vrms at ISM bands and Amateur radio bands
Power Frequency Magnetic Fields	IEC61000-4-8	Criteria A <sup>1)5)</sup> Magnetic field strength 30 A/m
Voltage Dips	IEC61000-4-11	30% 10 ms Criteria A <sup>1)</sup> 60% 100 ms Criteria B <sup>2)</sup> 100% 5000 ms Criteria B <sup>2)</sup>
Voltage Dips <sup>5)</sup>		Criteria A <sup>1)</sup> @ rated full load 0% U <sub>T</sub> , 0.5 cycle(10 ms) (0°,45°,90°,135°,180°,225°,270°,315°,360°) Criteria B <sup>2)</sup> , can meet Criteria A with 1200 W or lower load for 6 slot series and 64 0W or lower load for 4 slot series 0% U <sub>T</sub> ,1 cycle (20 ms), 0° Criteria B <sup>2)</sup> 70% U <sub>T</sub> ,25 cycle (500 ms), 0° Criteria B <sup>2)</sup> 0% U <sub>T</sub> ,250 cycle (5000 ms), 0°

1) Criteria A: Normal performance within the specification limits

2) Criteria B: Output out of regulation, or shuts down during test. Automatically restored to normal operation after test.

3) Asymmetrical: Common mode (Line to earth)

4) Symmetrical: Differential mode (Line to line)

5) Compliant with IEC-60601-1-2 4<sup>th</sup> edition requirements.



# Medical/Industrial AC-DC Configurable Power Supply

## Up to 2100 Watt / MEG-A Series

### MEG Series Mechanical Outlines

#### MEG-2K1A6 (2100 Watts Max.)

Case Size: MEG-2K1A6:10.0" x 5.0" x 1.59" (254.0 mm x 127.0 mm x 40.5 mm)

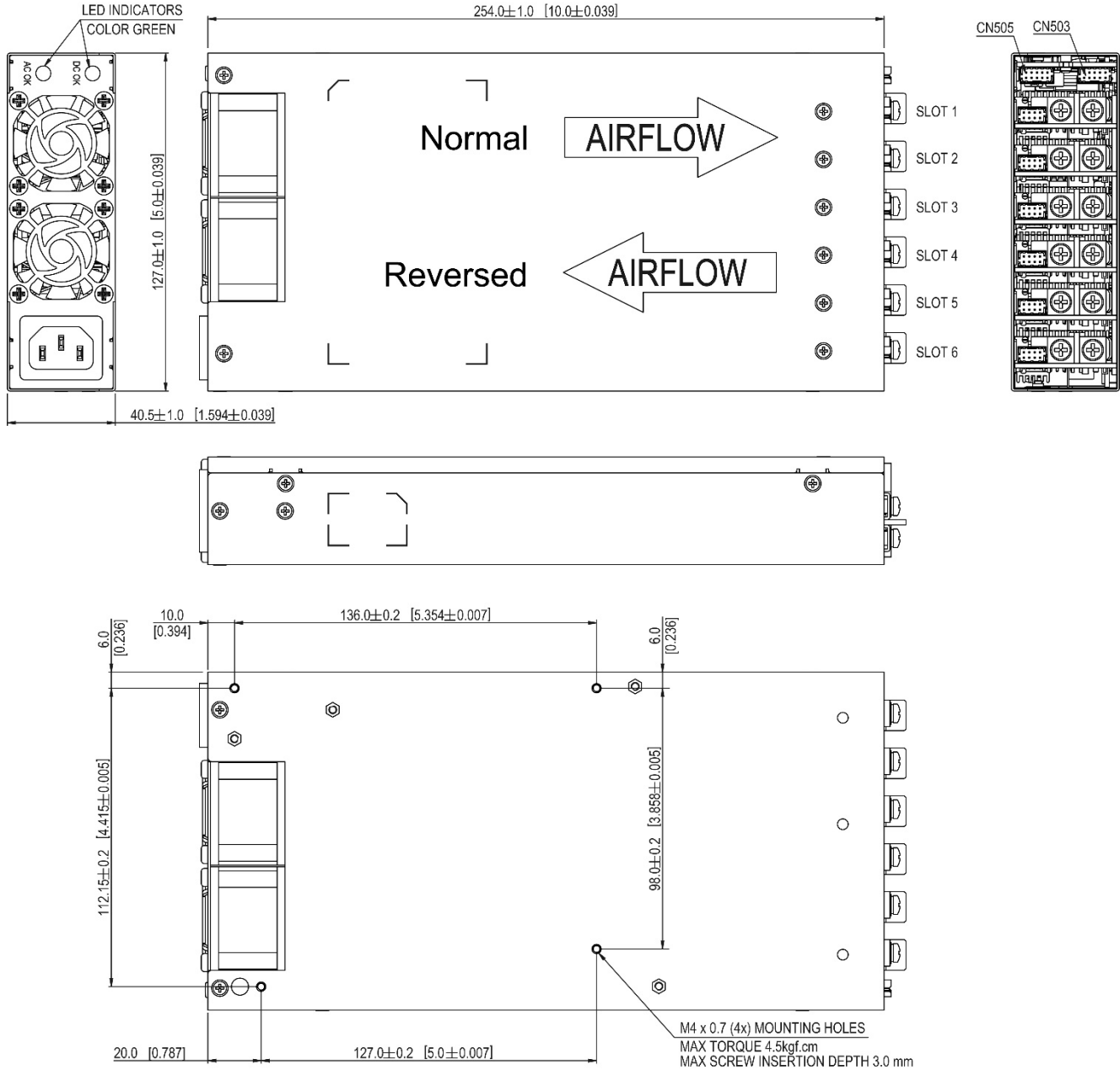


Figure 2. Dimensional drawing MEG-2K1A

**Note:**

1. Output Module Connectors: All single O/P modules are M4 x 8 mm screws, tighten between 7.0 to 10.0 kgf.cm (6.08 to 8.68 lbf.in); Dual O/P module is PUSH IN conductor connector; Wire Strip Length: 0.315" - 0.354" (8.0 - 9.0 mm).
2. Case Material: SGCC (conductive).
3. Customer Mounting: Screw M4-type mounting holes; Max. Penetration is 3.0 mm (0.118"); Max. Torque: 4.5 kgf.cm (3.91 lbf.in)
4. Adjustable VR clockwise is to increase the output voltage.
5. All dimensions are in millimeters and inches.

# Medical/Industrial AC-DC Configurable Power Supply Up to 2100 Watt / MEG-A Series

## MEG-1K2A4 (1200 Watts Max.)

Case Size: MEG-1K2A4:10.0" x 3.5" x 1.59" (254.0 mm x 88.9 mm x 40.5 mm)

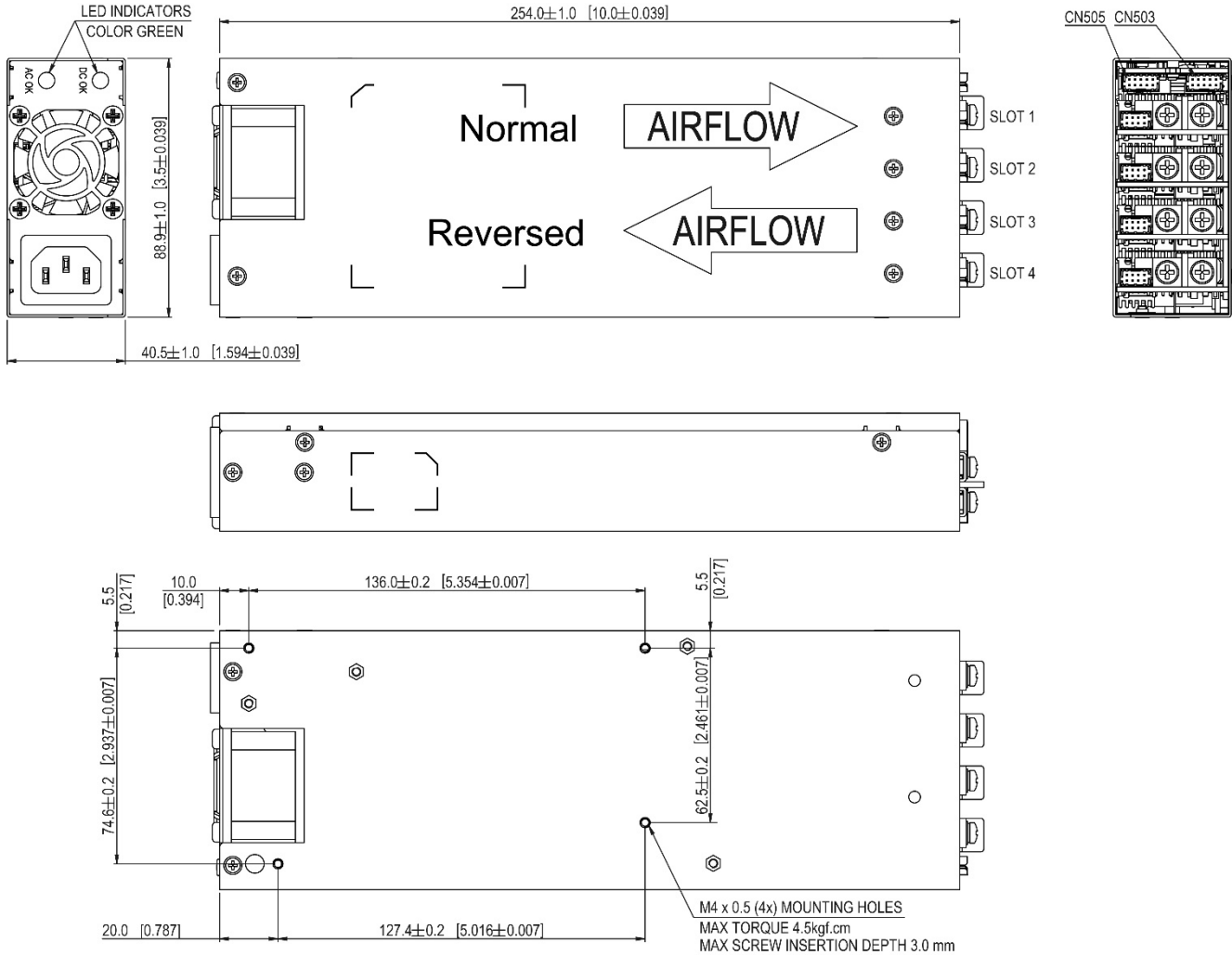


Figure 3. Dimensional drawing MEG-1K2A

**Note:**

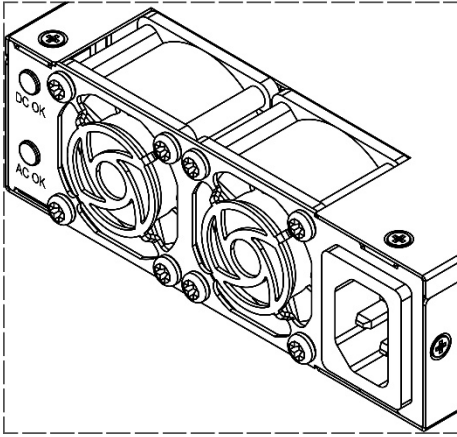
1. Output Module Connectors: All single O/P modules are M4 x 8 mm screws, tighten between 7.0 to 10.0 kgf.cm (6.08 to 8.68 lbf.in); Dual O/P module is PUSH IN conductor connector; Wire Strip Length: 0.315" - 0.354" (8.0 - 9.0 mm).
2. Case Material: SGCC (conductive).
3. Customer Mounting: Screw M4-type mounting holes; Max. Penetration is 3.0 mm (0.118"); Max. Torque: 4.5 kgf.cm (3.91 lbf.in)
4. Adjustable VR clockwise is to increase the output voltage.
5. All dimensions are in millimeters and inches.

# Medical/Industrial AC-DC Configurable Power Supply

## Up to 2100 Watt / MEG-A Series

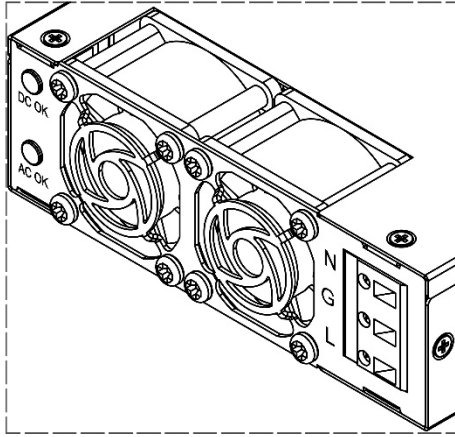
### AC Inlet Type Option

“C”



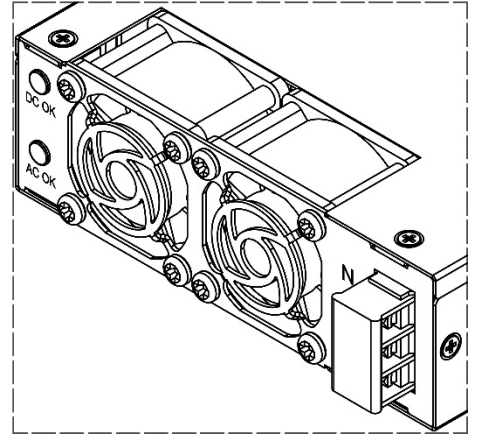
**Figure 4. IEC320-C14**  
CONDUCTOR SIZE: 14 – 18 AWG

“E”



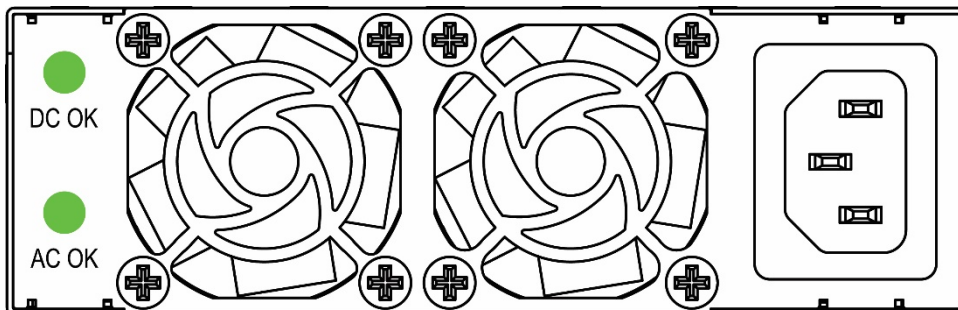
**Figure 5. European Terminal Block**  
CONDUCTOR SIZE: 14 – 18 AWG  
TIGHTENING TORQUE: 2.76 kgf.cm

“T”



**Figure 6. American Barrier Strip**  
CONDUCTOR SIZE: 14 – 18 AWG  
TIGHTENING TORQUE: 8.0 kgf.cm

### LED Indicator



**Figure 7. LED Indicator**

Two (green/off) LEDs are placed on the case fan panel with status conditions below:

#### DC OK LED indicator

DC OK Led indicator will be on when all the modules are working normally, and will be off if one or more modules is shut down

#### AC OK LED indicator

AC OK Led indicator will be on when AC input is above the normal working voltage for the power supply and indicates the AC input status is ready for DC-DC modules to function. This indicator will be off if the AC input falls below normal working voltage for the power supply to maintain performance.

# Medical/Industrial AC-DC Configurable Power Supply

## Up to 2100 Watt / MEG-A Series

### Connector Definitions – Frame

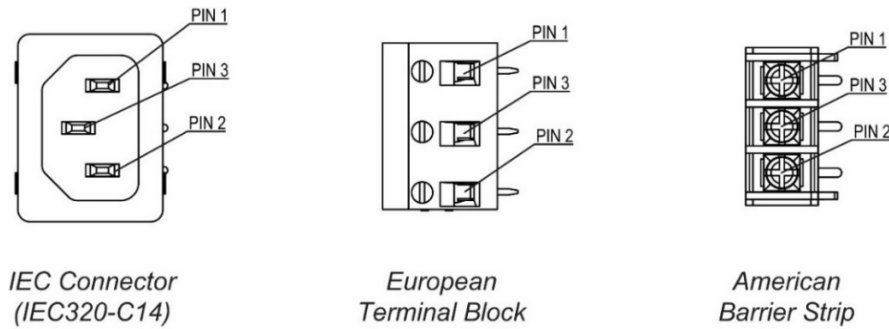


Figure 8. AC Input Connector

Pin	Function
PIN 1	AC Line (Phase)
PIN 2	AC Neutral
PIN 3	Chassis(Earth) Ground

Table 3. AC Input Connector - pin assignment

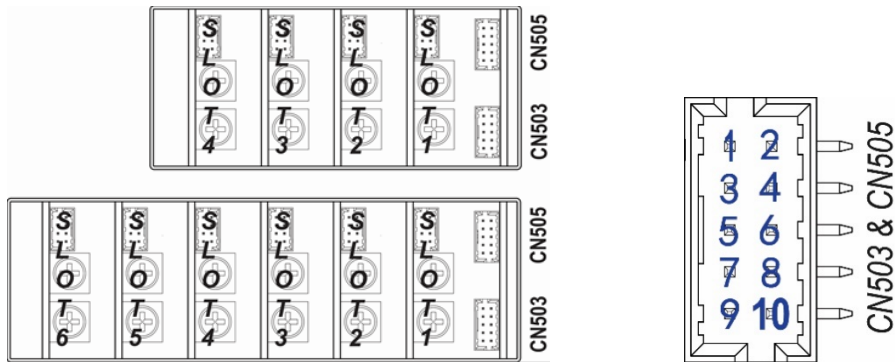


Figure 9. Global Control Signals and Communications Connector

CN503 & CN505 (Molex:87833-1031)			
Mating With Molex:51110-1051 or equivalent Terminal: 0503948052			
Global control signals CN503		Communication signals CN505	
Pin	Function	Pin	Function
1	AC Fail - "Collector"	1	SMBALERT'
2	AC Fail - "Emitter"	2	Address Bit 2 (A2)
3	5V_Standby +	3	Address Bit 1 (A1)
4	5V_Standby +	4	Address Bit 0 (A0)
5	5V_Standby Return	5	Reserve/No Connection
6	5V_Standby Return	6	Reserve/No Connection
7	Global Remote On_Off/Inhibit +	7	PMBus Clock (SCL)
8	Global Remote On_Off/Inhibit -	8	PMBus Data (SDA)
9	Reserve/No Connection	9	5V Communication Bus Return
10	Reserve/No Connection	10	5V Communication Bus +

Table 4. Global Control Signals and Communications Connector (CN503 & CN505) – Pin

# Medical/Industrial AC-DC Configurable Power Supply

## Up to 2100 Watt / MEG-A Series

### Connector Definitions – Single Slot Single Output Module

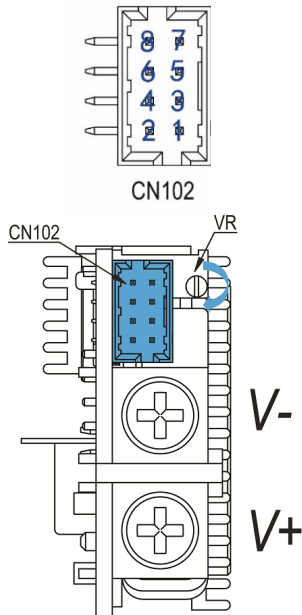


Figure 10. -x1 Module Connector

Pin	Function
V+	Output
V-	Output Return

Wire range: 8-20 AWG  
Screw torque: 7.0 to 10.0 kgf.cm (6.08 to 8.68 lbf.in)  
Screws are suitable for slotted and Phillips head screwdrivers.

Table 5. DC output port - pin assignment

Control Connector CN102 (Molex: 87833-0851) Mating With Molex: 51110-0851 or equivalent , Terminal: 0503948052	
Pin	Function
1	Remote On_Off/Inhibit +
2	Remote On_Off/Inhibit -
3	Remote Sense +
4	Remote Sense -
5	Power Good- "Collector"
6	Power Good- "Emitter"
7	Current Share
8	Reserve/No Connection

Table 6. Control Signals Connector - pin assignment

### Connector Definitions – Triple Slot Single Output Module

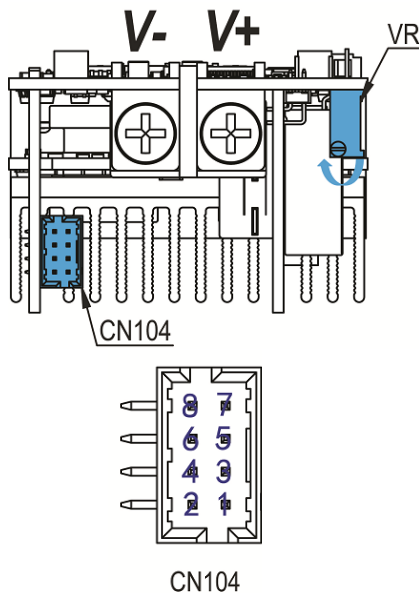


Figure 11. -x2 Module Connector

Pin	Function
V+	Output
V-	Output Return

Wire range: 2-16 AWG  
Screw torque: 15.0 to 20.0 kgf.cm (13.02 to 17.36 lbf.in)  
Screws are suitable for slotted and Phillips head screwdrivers.

Table 7. DC output port - pin assignment

Control Connector CN104 (Molex: 87833-0851) Mating With Molex: 51110-0851 or equivalent Terminal: 0503948052	
Pin	Function
1	Remote On_Off/Inhibit +
2	Remote On_Off/Inhibit -
3	Remote Sense +
4	Remote Sense -
5	Power Good- "Collector"
6	Power Good- "Emitter"
7	Reserve/No Connection
8	Reserve/No Connection

Table 8. Control Signals Connector - pin assignment

# Medical/Industrial AC-DC Configurable Power Supply

## Up to 2100 Watt / MEG-A Series

### Connector Definitions – Single Slot Dual Output Module

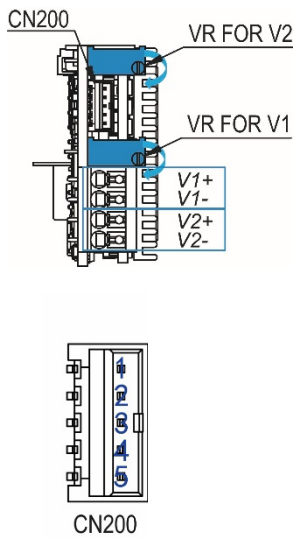


Figure 12. -x3 Module Connector

Pin	Function
V1+	V1 Output
V1-	V1 Output Return
V2+	V2 Output
V2-	V2 Output Return
Wire range: 28-16 AWG	

Table 9. DC output port - pin assignment

Control Connector CN200 (Molex: 87438-0563) Mating With Molex: 87439-0500 Terminal: 874210102	
Pin	Function
1	Remote Inhibit 2 +
2	Remote Inhibit 2 -
3	NC
4	Remote Inhibit 1 +
5	Remote Inhibit 1 -

Table 10. Control Signals Connector - pin assignment

### Functions

#### Start-up Time

The time required for the output voltage to reach 90% of its final steady state value, after the input voltage is applied.

#### Rise Time

The time required for the output voltage to change from 10% to 90% of its final steady state value.

#### Hold-up Time

Time between the collapse of the AC input voltage, and the output falling to 90% of its steady state value.

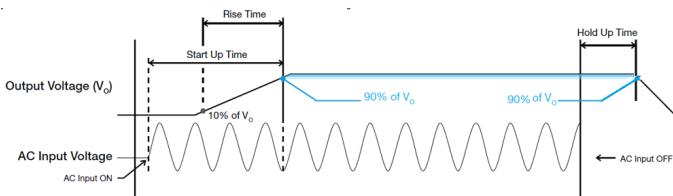


Figure 13. Time Sequence

#### Dynamic Response

The power supply output voltage will remain within  $\pm 5\%$  of its steady state value, when subjected to a dynamic load 50 to 100% of its rated current.

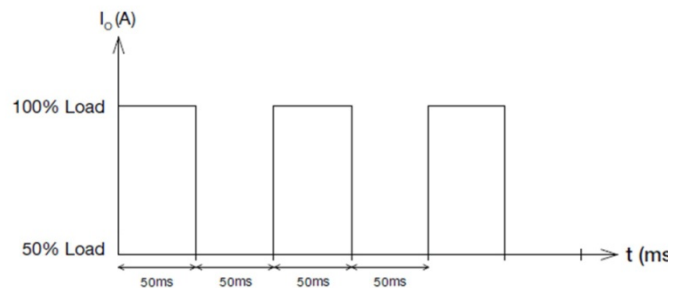


Figure 14. Dynamic from 50% load to 100% Load

# Medical/Industrial AC-DC Configurable Power Supply

## Up to 2100 Watt / MEG-A Series

### Inrush Current

Inrush current is the input current that occurs when the input voltage is first applied. For AC input voltages, the maximum peak value of inrush current will occur during the first half cycle of the applied AC voltage. This peak value decreases exponentially during subsequent cycles of AC voltage.

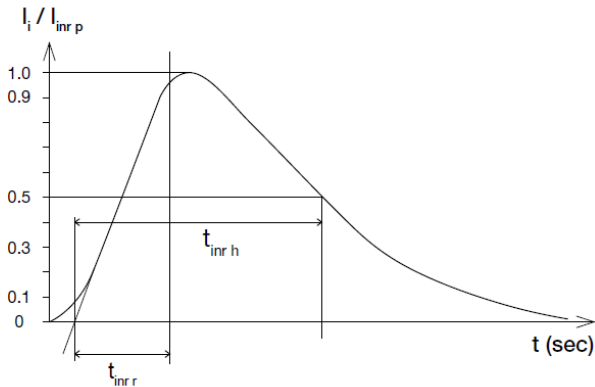


Figure 15. Inrush Current

### Overvoltage Protection

The power supply's overvoltage circuit will be activated when its internal feedback circuit fails. The output voltage shall not exceed its specifications defined on Page 7 under "Protections". Power supply will latch off, and require removal/re-application of input AC voltage in order to restart.

### Overload & Overcurrent Protections

Each output will enter auto-recovery mode when the output current reaches over current protection set point. The set point is default 120% of rated output current. The power supply will recover once the fault condition causing the OLP and OCP is removed and  $I_o$  is back within the specified limit. The time interval between each auto re-start during protection is 4s typical.

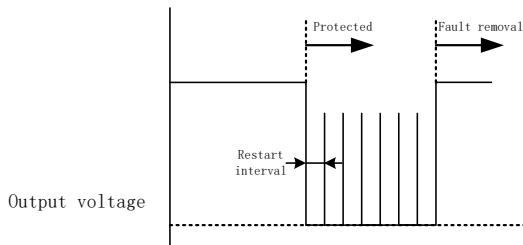


Figure 16. Auto-Recovery

### Short Circuit Protection

The power supply's output OLP/OCP function also provides protection against short circuits. When a short circuit is applied, the output current will operate in "Hiccup mode", as shown in the illustration in the OLP/OCP section on this page. The power supply will return to normal operation after the short circuit is removed.

### Over Temperature Protection

Each output module and PFC module sense each module operation temperature. Any output module temperature is higher than the over temperature protection set point, all the modules will be shut down latched.

An AC recycle is required to reset the power supply to normal operation.

### Remote Sense

Remote sense feature can be used to compensate for the extra voltage drop on output wires that are connected from the main output terminals, to the load. With wires connected from the remote sense pins, at the same locations as the wires from the main output, the remote sense function can compensate up to 500mV voltage drop. If the remote sense pins are shorted, or if a reverse/inverted polarity connection is made, the output module will be turned off.

### Remote On\_Off/Inhibit

The remote control signal can be used to enable or disable only the main output. When the main output is disabled, the +5V Standby output will continue to operate. Every module has its own remote on/off control signal pin, and can work independently from each other. Below is a suggested connection, system can use a switch to conduct through this diode (suggested pull up resistor to 5V standby with 1Kohm resistor) to disable the main out. The signal can be floated (no connection to the signal), in order to enable the main output.

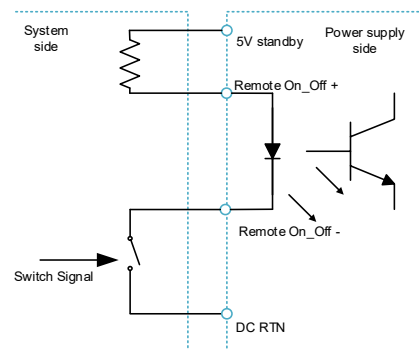


Figure 17. Remote On\_Off connection

# Medical/Industrial AC-DC Configurable Power Supply

## Up to 2100 Watt / MEG-A Series

### Global Remote On\_Off/Inhibit

The global inhibit function will turn on/off all the output modules. The control logic is selectable on demand. In normal logic, the module is default on with the control logic described in Figure 17. The module outputs will be turned off if the diode is conducted and modules will be on if diode is left floated of open.

### Power Good Signal

Power Good+/- pin on every module's control connector is an isolated open collector transistor (80V/50mA rating). A resistor (suggested value 10Kohm, 1/8W) can be added between Power Good- pin and DC RTN, Power Good+ pin can be connected to 5V standby (or, other available pull-up voltage that is no greater than the transistor rating). Value of resistor may have to be adjusted, depending on voltage used, and other end-use conditions of the Power Good+ pin connection to the product. When DC output is presented, Power Good Signal (Shown in below figure) generated will be high. When DC output is off, Power Good Signal generated will be low. There will be a minimum of 5 milliseconds between the time the Power Good Signal goes to low level, and the time when the output reaches 90% of its rated value.

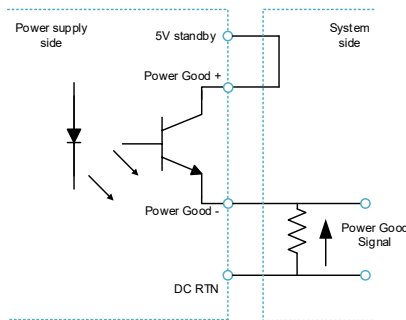


Figure 18. Power good signal connection

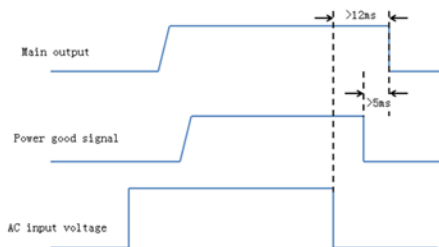


Figure 19. Power good signal sequence

### AC Fail

AC fail indicate the AC input information. AC Failed pin is an open collector type output (80V/50mA rating). AC fail signal connection can refer to power good signal. When AC input is on, AC Fail pin will be high. When AC input is removed, AC Fail pin will be pulled low.

### Global Communication

The power supply can be fully monitored and controlled through PMBus protocol, or any other protocol supported by adapter board, such as RS485 or RS232 Bus. Once an output module is installed in the power supply, the module and slot location will be recognized automatically. The power supply address can be assigned externally, up to 8 power supplies can be configured to the same bus. Use the command defined in "Delta PMBus Communication" document to monitor and control the power supply. Communication adapters available as below part number:

Communication Adapter	
MEP-PMBUSB	I <sup>2</sup> C to USB
MEP-PMB485	I <sup>2</sup> C to RS485
MEP-PMB232	I <sup>2</sup> C to RS232

### PC GUI

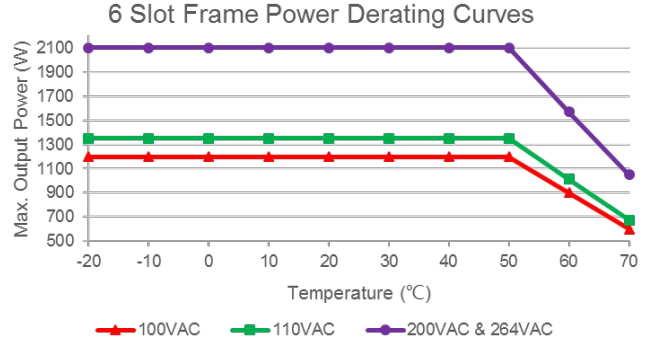
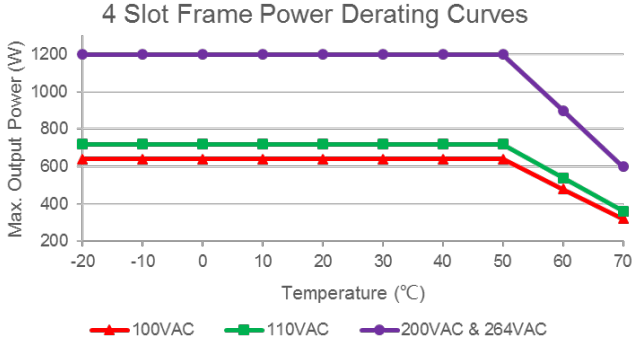
A PC GUI is provided to help the user to easily monitor and control the power supply. Use provided cable to connect the power supply to PC serial port or USB port with Delta PMBus to USB adapter and run GUI in PC. Refer to PC GUI user manual for detailed operation instruction.



# Medical/Industrial AC-DC Configurable Power Supply

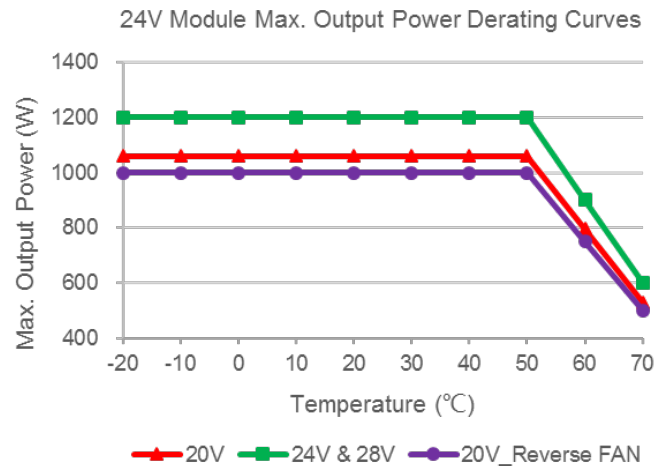
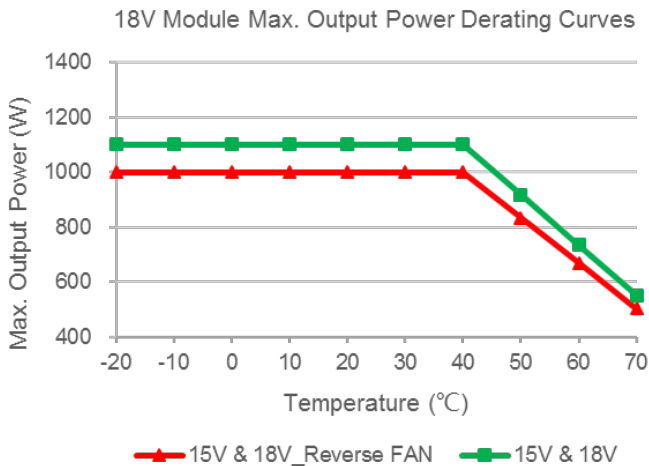
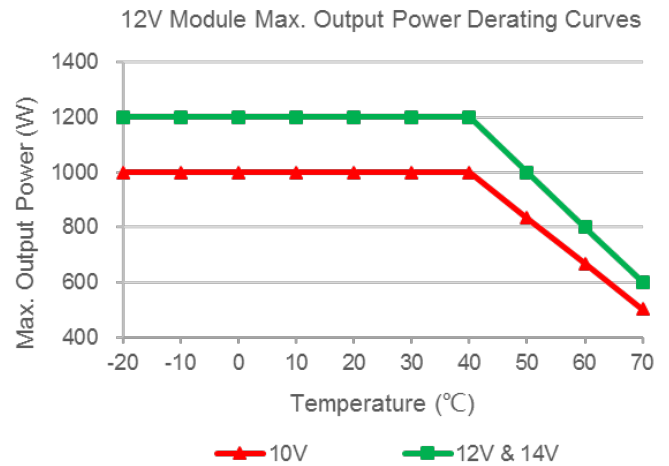
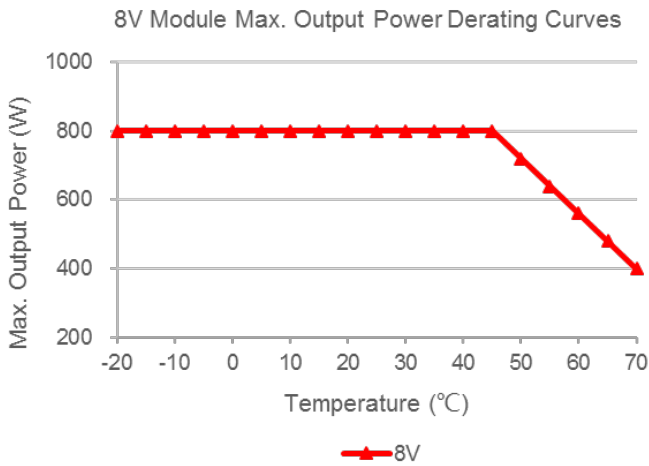
## Up to 2100 Watt / MEG-A Series

### Power Derating – MEG-2K1A Series and MEG-1K2A Series



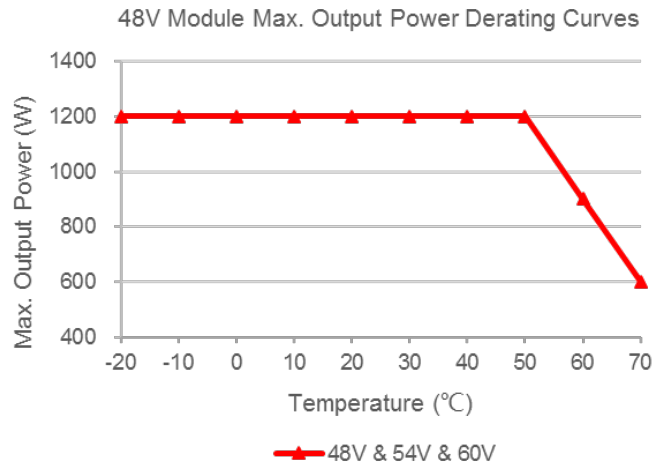
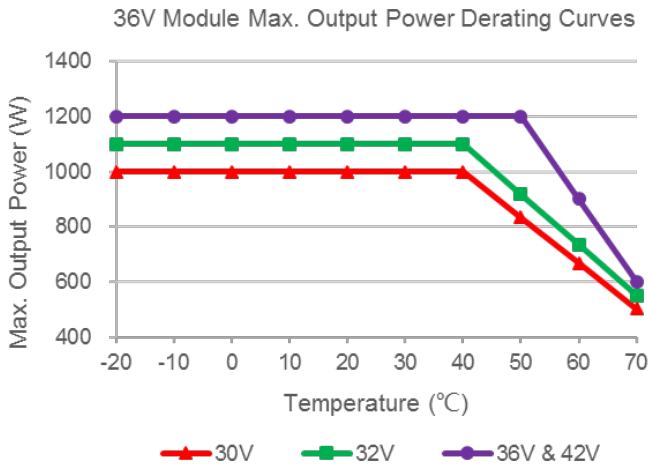
### Power Derating – Triple Slot Modules

No air flow direction power derating unless specifically identified.

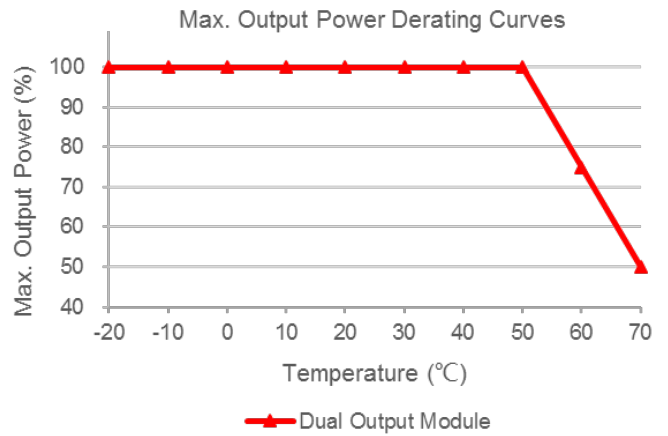
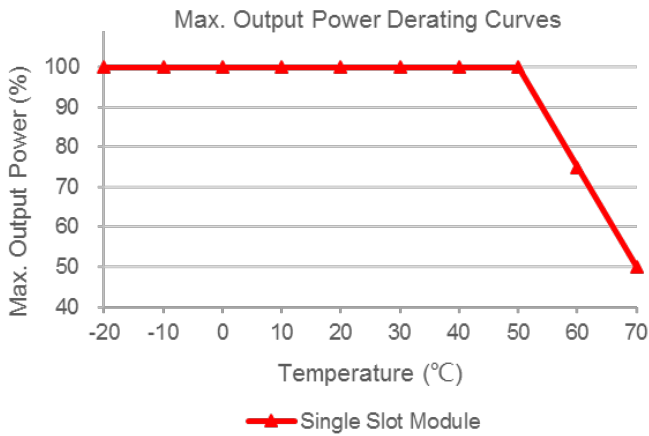


# Medical/Industrial AC-DC Configurable Power Supply

## Up to 2100 Watt / MEG-A Series



### Power Derating – Single Slot Modules & Dual Output Modules



# Medical/Industrial AC-DC Configurable Power Supply

## Up to 2100 Watt / MEG-A Series

### Certificate



Delta has been certified as meeting the requirement of ISO 13485: 2003 and EN ISO 13485:2012 for the design and manufacture of switching power supply and adaptor for medical device.



In addition to a UL Total Certification Program (TCP) approved client laboratory for IEC 62368-1. Delta also has participated UL Client Test Data Program (CDTP) for IEC 60601

### Attention

Delta provides all information in the datasheets on an "AS IS" basis and does not offer any kind of warranty through the information for using the product. In the event of any discrepancy between the information in the catalog and datasheets, the datasheets shall prevail (please refer to [www.DeltaPSU.com](http://www.DeltaPSU.com) for the latest datasheets information). Delta shall have no liability of indemnification for any claim or action arising from any error for the provided information in the datasheets. Customer shall take its responsibility for evaluation of using the product before placing an order with Delta.

Delta reserves the right to make changes to the information described in the datasheets without notice.