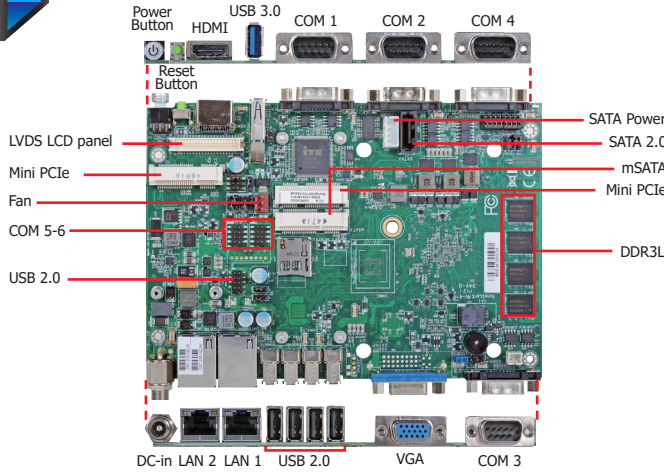
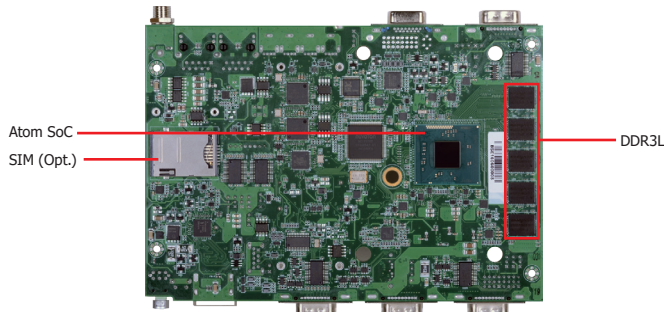


BT253

Atom



Bottom View



Top View

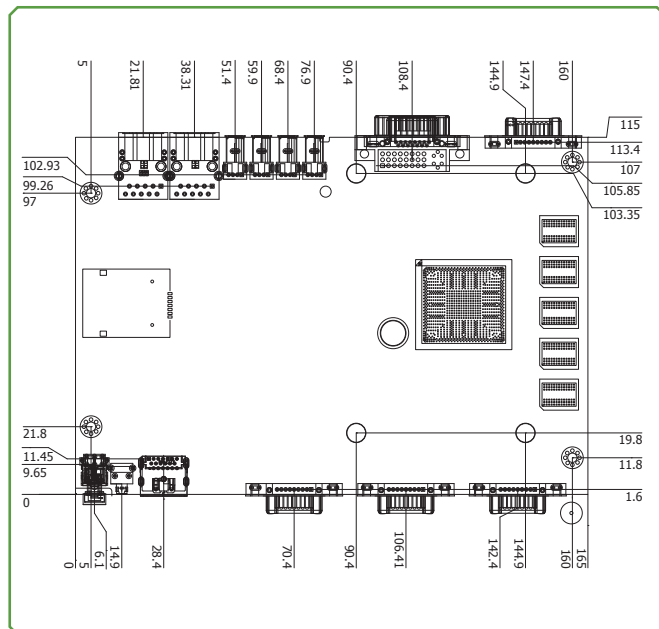


Features

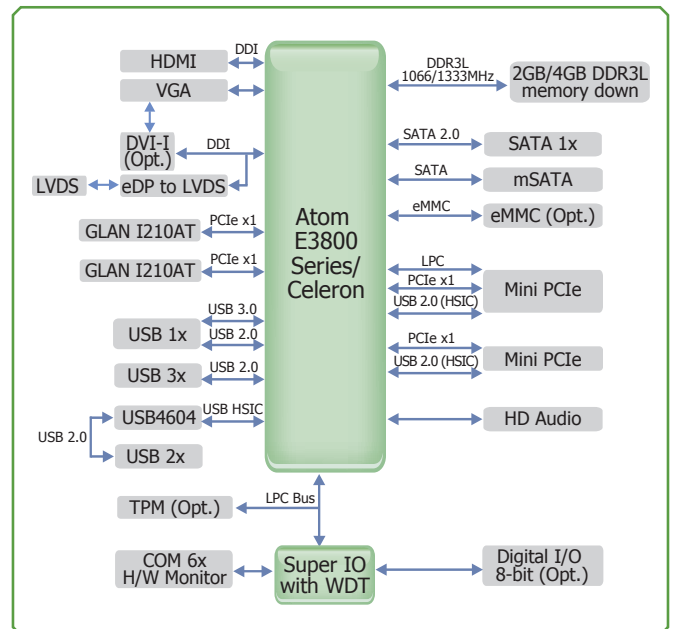
MEMORY	2GB/4GB DDR3L ECC memory down
EXPANSION	3 Mini PCIe
DISPLAY OUTPUTS	1 VGA, 1 LVDS, 1 HDMI
LAN	2 LAN
COM	6 COM
USB	6 USB: 1 USB 3.0, 5 USB 2.0
STORAGE	1 SATA 2.0 eMMC (optional)
DIMENSIONS	165mm x 115mm (6.49" x 4.53")



Mechanical Drawing



Block Diagram





BT253

Specifications * Optional and is not supported in standard model. Please contact your sales representative for more information.

PROCESSOR

- Intel® Atom™/Intel® Celeron® processors
 - BGA 1170 packaging technology
 - 22nm process technology
- Please refer to the Ordering Information below

SYSTEM MEMORY

- 2GB/4GB DDR3L ECC memory down (-E45/-E25)
- 2GB/4GB DDR3L memory down (-J00/-N07)
- Supports DDR3L 1333MHz (-E45/-J00/-N07)
- Supports DDR3L 1066MHz (-E25)
- Supports single channel memory interface

EXPANSION SLOTS

- 3 Mini PCIe slots
 - 1 full size supports USB, PCIe and 3G signals
 - 1 full size supports mSATA
 - 1 half size supports USB, PCIe and LPC signals
- 1 SIM socket (available upon request)
- 1 microSD socket*

ONBOARD GRAPHICS FEATURES

- Intel® HD Graphics
- Display ports: 1 LVDS, 1 HDMI, 1 VGA (default) or 1 DVI-I*
- LVDS: NXP PTN3460, 24-bit, dual channel, resolution up to 1920x1200 @ 60Hz
- HDMI, DVI: resolution up to 1920x1080 @ 60Hz
- VGA: 24-bit, resolution up to 1920x1200 @ 60Hz
- Supports hardware acceleration for DirectX 11, OCL 1.2, OGL 4.0, H.264, MPEG2, MVC, VC-1, WMV9 and VP8 (supported version dependent on OS)

ONBOARD AUDIO FEATURES

- Realtek ALC888 5.1-channel High Definition Audio

ONBOARD LAN FEATURES

- 2 Intel® I210 PCI Express Gigabit Ethernet controllers
- Integrated 10/100/1000 transceiver
- Fully compliant with IEEE 802.3, IEEE 802.3u, IEEE 802.3ab

SERIAL ATA INTERFACE

- 1 SATA 2.0 port with data transfer rate up to 3Gb/s
- Integrated Advanced Host Controller Interface (AHCI) controller

eMMC*

- Supports 4GB, 8GB, 16GB and 32GB eMMC onboard
- Supports Windows 8.1 and Ubuntu 14.04

TRUSTED PLATFORM MODULE (TPM)*

- Provides a Trusted PC for secure transactions
- Provides software license protection, enforcement and password protection

FRONT PANEL I/O PORTS

- 1 power button
- 1 reset button
- 3 DB-9 serial ports
 - supports RS232/422/485
 - One of the ports supports an optional 8-bit DIO
- 1 USB 3.0 port
- 1 HDMI port

REAR PANEL I/O PORTS

- 1 16~24V DC-in jack
- 1 DB-9 serial port
 - supports RS232/422/485
- 1 VGA port; or 1 DVI-I port*
- 2 RJ45 LAN ports
- 4 USB 2.0 ports (default); or 3 USB 2.0 ports and 1 line-out jack*

I/O CONNECTORS

- 1 connector for 1 external USB 2.0 port
- 2 connectors for 2 external RS232 serial ports (2.0mm pitch)
- 1 LVDS LCD panel with power connector
- 1 mic-in connector
- 1 Serial ATA connector
- 1 Serial ATA power connector
- 1 chassis intrusion connector
- 1 fan connector

BIOS

- AMI BIOS
- 64Mbit SPI BIOS

WATCHDOG TIMER

- Watchdog timeout programmable via software from 1 to 255 seconds

ENERGY EFFICIENT DESIGN

- Supports ACPI
- System Power Management
- Wake-On-Events include:
 - Wake-On-USB KB/Mouse*
 - Wake-On-LAN
 - RTC timer to power-on the system
- AC power failure recovery

DAMAGE FREE INTELLIGENCE

- Monitors CPU/system temperature and overheat alarm
- Monitors VCORE/12V/5V/DDR voltages and failure alarm
- Monitors CPU/system fan speed and failure alarm
- Read back capability that displays temperature, voltage and fan speed

POWER CONSUMPTION

- BT253-C4-E45: 18.12W with E3845 at 1.91GHz and 4GB DDR3L ECC memory down

OS SUPPORT

- Windows 10 IoT Enterprise (64-bit)
- Windows 7 Ultimate x86 & SP1 (32-bit)
- Windows 7 Ultimate x64 & SP1 (64-bit)
- Windows 8.1 Enterprise x86 (32-bit)
- Windows 8.1 Enterprise x64 (64-bit)
- Linux

TEMPERATURE

- Operating
 - : 0°C to 60°C - Atom, Celeron (Fanless)
 - : 0°C to 85°C - Celeron (Fanless)
 - : -20°C to 85°C - Atom (Fanless)
- Storage: -40°C to 85°C

HUMIDITY

- 5% to 90%

MTBF

- 321,859 hrs @ 25°C; 186,244 hrs @ 45°C
- Calculation model: Telcordia Issue 2, Method I Case 3
- Environment: GB, GC – Ground Benign, Controlled

DIMENSIONS

- 4" board
- 165mm (6.49") x 115mm (4.53")

CERTIFICATION

- CE, FCC Class B, RoHS

Ordering Information

Model Name	Processor	Memory	eMMC	RS232	RS232/422/485	Power	Thermal	Temperature
BT253-C4-E45	Intel® Atom™ E3845, Quad Core, 2M Cache, 1.91GHz, 10W	4GB ECC Bundle	None	2	4	16~24V DC-in	Fanless	0°C to 60°C
BT253-C2-N07	Intel® Celeron® N2807, Dual Core, 1M Cache, 1.58GHz (2.16GHz), 4.3W	2GB Non-ECC Bundle	None	2	4	16~24V DC-in	Fanless	0°C to 60°C
BT253-C4-J00	Intel® Celeron® J1900, Quad Core, 2M Cache, 2GHz (2.41GHz), 10W	4GB Non-ECC Bundle	None	2	4	16~24V DC-in	Fanless	0°C to 60°C
BT253-C2-E25	Intel® Atom™ E3825, Dual Core, 1M Cache, 1.33GHz, 6W	2GB ECC Bundle	None	2	4	16~24V DC-in	Fanless	0°C to 60°C

Packing List

- 1 BT253 board
- 1 Serial ATA data with power cable: A81-002008-000G
- 1 Heat spreader: A31-030022-200G

Optional Items

- USB port cable: A81-001032-016G
- COM port cable: 332-753040-000G
- Power adapter (120W, 19V): 671-112009-100G