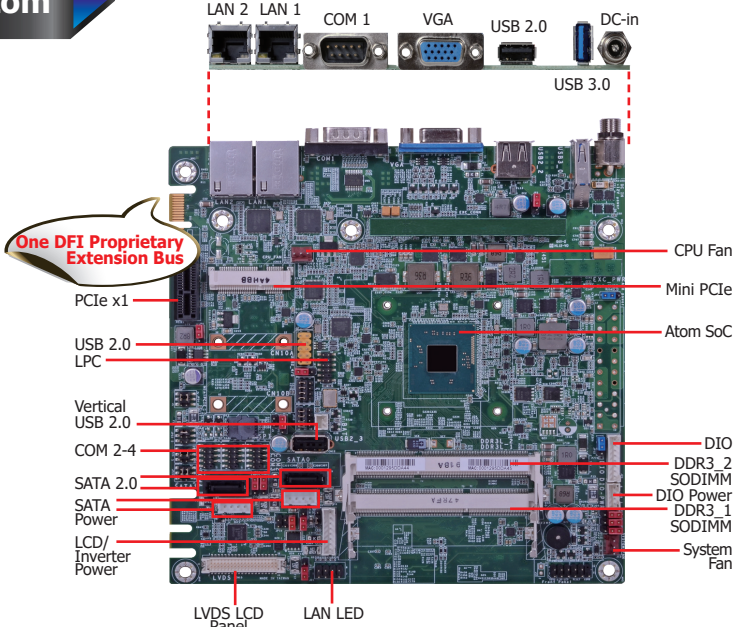


BT161

Atom



Features

MEMORY	2 DDR3L SODIMM up to 8GB (-E45/-E26/-J00)
EXPANSION	1 PCIe x1 1 Mini PCIe 1 DFI Proprietary Extension Bus
DISPLAY OUTPUTS	1 VGA, 1 LVDS
LAN	2 LAN
COM	4 COM
USB	5 USB: 1 USB 3.0, 4 USB 2.0
STORAGE	2 SATA 2.0 or 1 SATA 2.0, 1 mSATA
DIO	8-bit DIO



5 Riser Cards for DFI Proprietary Extension Bus

H Series:



- 3 PCI



- 1 PCIe x16 (x1 signal)

T Series:



- 3 PCI



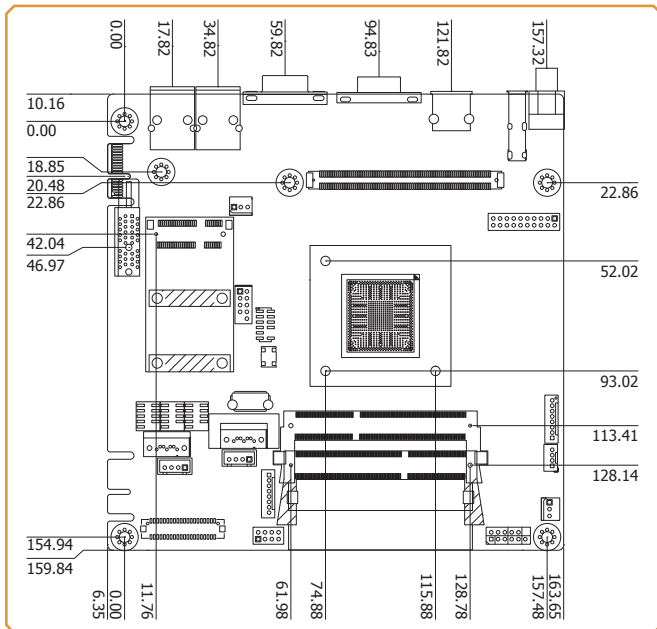
- 1 PCIe x16 (x1 signal)



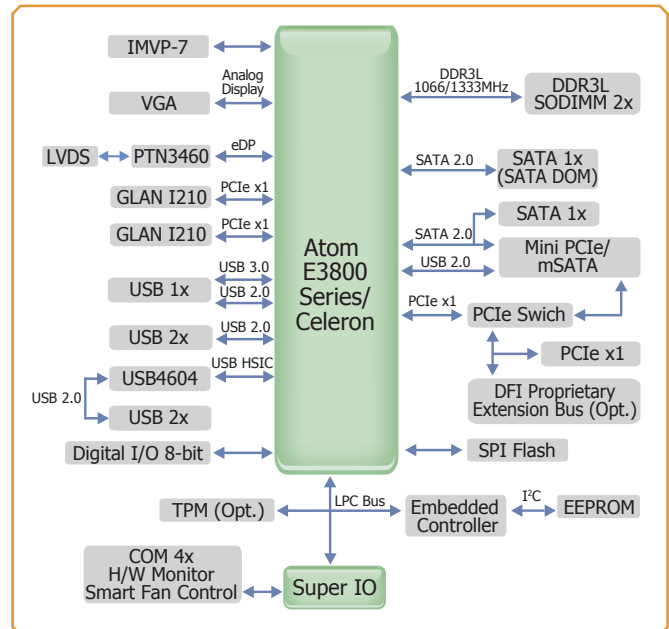
- 1 PCIe x8 (x1 signal)



Mechanical Drawing



Block Diagram



BT161

Specifications * Optional and is not supported in standard model. Please contact your sales representative for more information.

PROCESSOR

- Intel® Atom™/Intel® Celeron® processors
- BGA 1170 packaging technology
- 22nm process technology
- Please refer to the Ordering Information below

SYSTEM MEMORY

- Two 204-pin DDR3L SODIMM sockets (-E45/-E26/-J00)
 - up to 8GB system memory
 - dual channel memory interface
- Supports DDR3L 1333MHz (-E45/-J00)
- Supports DDR3L 1066MHz (-E26)
- DRAM device technologies: 1Gb, 2Gb and 4Gb DDR3L DRAM technologies are supported for x8 and x16 devices, unbuffered, non-ECC

EXPANSION SLOTS

- 1 PCIe x1 slot
- 1 Mini PCIe slot
 - Supports USB and PCIe signals
 - Supports mSATA
 - Supports full size Mini PCIe card
- 1 DFI Proprietary Extension Bus for PCIe/PCI expansion

ONBOARD GRAPHICS FEATURES

- Intel® HD Graphics
- Display ports: 1 VGA, 1 LVDS
- VGA: resolution up to 1920x1200 @ 60Hz
- LVDS: NXP PTN3460, 24-bit, dual channel, resolution up to 1920x1200 @ 60Hz
- Supports hardware acceleration for DirectX 11, OCL 1.2, OGL 4.0, H.264, MPEG2, MVC, VC-1, WMV9 and VP8 (supported version dependent on OS)

ONBOARD LAN FEATURES

- 2 Intel® I210 PCI Express Gigabit Ethernet controllers
- Integrated 10/100/1000 transceiver
- Fully compliant with IEEE 802.3, IEEE 802.3u, IEEE 802.3ab

SERIAL ATA INTERFACE

- 2 SATA 2.0 ports with data transfer rate up to 3Gb/s
 - SATA port 0 provides adequate space for SATA DOM
 - SATA port 1 multiplexed with mSATA (Mini PCIe)
- Integrated Advanced Host Controller Interface (AHCI) controller

TRUSTED PLATFORM MODULE (TPM)*

- Provides a Trusted PC for secure transactions
- Provides software license protection, enforcement and password protection

WATCHDOG TIMER

- Watchdog timeout programmable via software from 1 to 255 seconds

REAR PANEL I/O PORTS

- 1 12V DC-in jack (default) or 4-pin power connector*
- 1 DB-9 RS232 serial port
- 1 DB-15 VGA port
- 2 RJ45 LAN ports
- 1 USB 2.0 port
- 1 USB 3.0 port

I/O CONNECTORS

- 1 connector for 2 external USB 2.0 ports
- 1 vertical USB 2.0/1.1 port
- 3 connectors for 3 external serial ports (2.0mm pitch)
 - 1 RS232/422/485 (RS232 and/or power)
 - 2 RS232
- 1 LVDS LCD panel connector
- 1 LCD/inverter power connector
- 1 8-bit Digital I/O connector
- 1 Digital I/O power connector
- 1 LAN LED connector
- 1 LPC connector
- 2 Serial ATA connectors
- 2 Serial ATA power connectors
- 1 front panel connector
- 1 chassis intrusion connector
- 2 fan connectors

BIOS

- AMI BIOS
- 64Mbit SPI BIOS

ENERGY EFFICIENT DESIGN

- Supports ErP Lot6 power saving*
- Supports ACPI
- System Power Management
- Wake-On-Events include:
 - Wake-On-USB KB/Mouse*
 - Wake-On-LAN
 - Wake-On-PS2 KB/MS*
 - RTC timer to power-on the system
- AC power failure recovery

DAMAGE FREE INTELLIGENCE

- Monitors CPU/system temperature and overheat alarm
- Monitors VCORE/12V/5V/DDR voltages and failure alarm
- Monitors CPU/system fan speed and failure alarm
- Read back capability that displays temperature, voltage and fan speed

POWER CONSUMPTION

- BT161-BN-E45: 16.32W with E3845 at 1.91GHz and 2x 4GB DDR3L SODIMM

OS SUPPORT

- Windows 7 Ultimate x86 & SP1 (32-bit)
- Windows 7 Ultimate x64 & SP1 (64-bit)
- Windows 8 Enterprise x86 (32-bit)
- Windows 8 Enterprise x64 (64-bit)
- Windows 8.1 Enterprise x86 (32-bit)
- Windows 8.1 Enterprise x64 (64-bit)
- Windows 8.1 Embedded Pro x86 (32-bit)
- Windows 8.1 Embedded Pro x64 (64-bit)

TEMPERATURE

- Operating: 0°C to 60°C
- Storage: -40°C to 85°C

HUMIDITY

- 5% to 90%

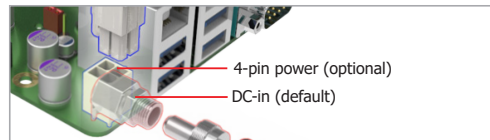
DIMENSIONS

- Mini-ITX form factor
- 170mm (6.7") x 170mm (6.7")

CERTIFICATION

- CE, FCC Class B, RoHS

Power Connector



Ordering Information

Model Name	P/N	Processor	Memory	RS232	RS232/422/485	Power	Thermal	Temperature
BT161-BN-E26	770-BT1611-200G	Intel® Atom™ E3826, Dual Core, 1M Cache, 1.46GHz, 7W	2 SODIMM	3	1	12V DC-in	Fanless	0°C to 60°C
BT161-BN-E45	770-BT1611-000G	Intel® Atom™ E3845, Quad Core, 2M Cache, 1.91GHz, 10W	2 SODIMM	3	1	12V DC-in	Fanless	0°C to 60°C
BT161-BN-J00	770-BT1611-500G	Intel® Celeron® J1900, Quad Core, 2M Cache, 2GHz (2.42GHz), 10W	2 SODIMM	3	1	12V DC-in	Fanless	0°C to 60°C

The following specifications will be available upon request. Please contact your sales representative for more information.

Model Name	Temperature	Processors
BT161	- B	N
	B: 0°C to 60°C	E45: Intel® Atom™ E3845, Quad Core, 2M Cache, 1.91GHz, 10W E26: Intel® Atom™ E3826, Dual Core, 1M Cache, 1.46GHz, 7W J00: Intel® Celeron® J1900, Quad Core, 2M Cache, 2GHz (2.42GHz), 10W

Packing List

- 1 BT161 motherboard
- 1 Serial ATA data with power cable A81-002013-000G
- 1 Heat sink A71-010026-000G

Optional Items

- USB port cable 332-253010-026G
- COM port cable A81-015001-001G
- Serial ATA data with power cable A81-002013-000G
- I/O shield A49-BT1600-000G