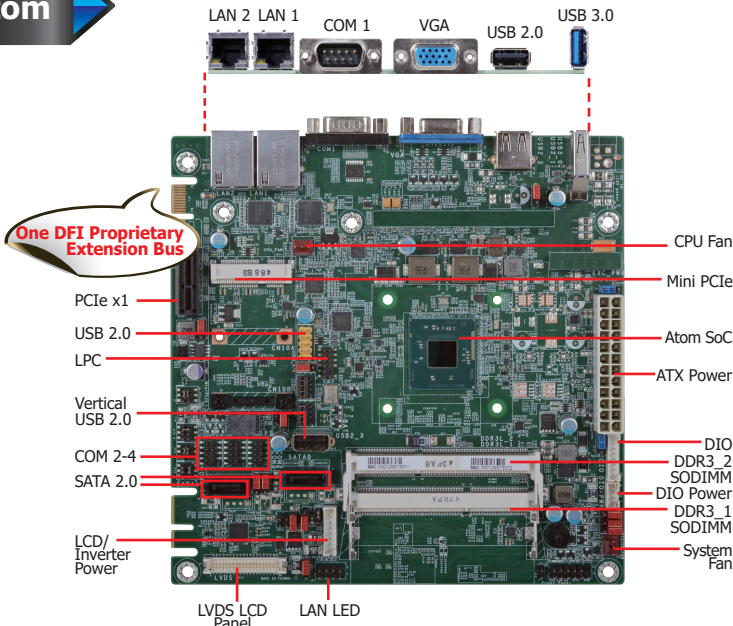




BT160

Atom



Features

| | |
|-----------------|---|
| MEMORY | 2 DDR3L SODIMM up to 8GB (-E45/-E26/-J00) |
| EXPANSION | 1 PCIe x1 1 Mini PCIe 1 DFI Proprietary Extension Bus |
| DISPLAY OUTPUTS | 1 VGA, 1 LVDS |
| LAN | 2 LAN |
| COM | 4 COM |
| USB | 5 USB: 1 USB 3.0, 4 USB 2.0 |
| STORAGE | 2 SATA 2.0 or 1 SATA 2.0, 1 mSATA |
| DIO | 8-bit DIO |

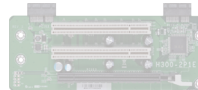


5 Riser Cards for DFI Proprietary Extension Bus

H Series:



- 3 PCI



- 1 PCIe x16 (x1 signal)

T Series:



- 3 PCI



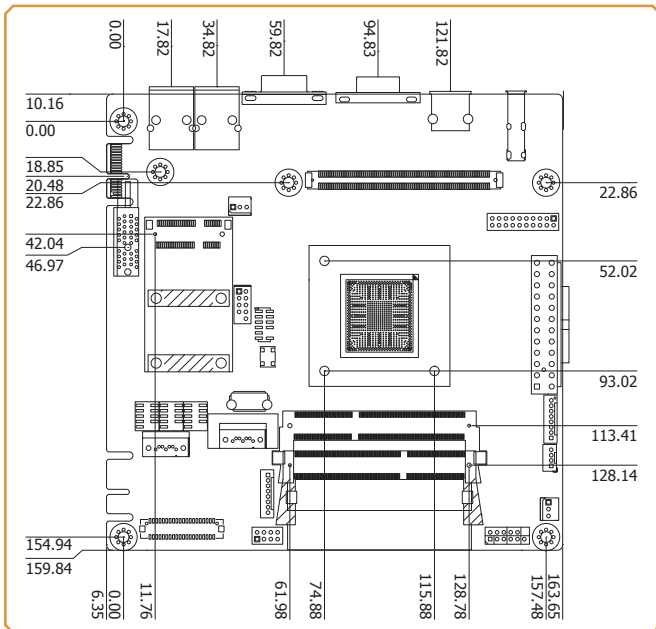
- 1 PCIe x16 (x1 signal)



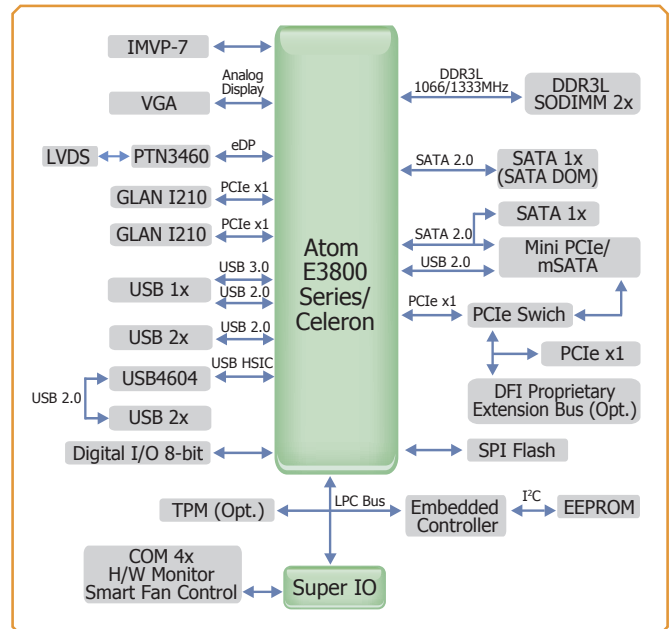
- 1 PCIe x8 (x1 signal)



Mechanical Drawing



Block Diagram



BT160

► Specifications * Optional and is not supported in standard model. Please contact your sales representative for more information.

PROCESSOR

- Intel® Atom™/Intel® Celeron® processors
 - BGA 1170 packaging technology
 - 22nm process technology
- Please refer to the Ordering Information below*

SYSTEM MEMORY

- Two 204-pin DDR3L SODIMM sockets (-E45/-E26/-J00)
 - up to 8GB system memory
 - dual channel memory interface
- Supports DDR3L 1333MHz (-E45/-J00)
- Supports DDR3L 1066MHz (-E26)
- DRAM device technologies: 1Gb, 2Gb and 4Gb DDR3L DRAM technologies are supported for x8 and x16 devices, unbuffered, non-ECC

EXPANSION SLOTS

- 1 PCIe x1 slot
- 1 Mini PCIe slot
 - Supports USB and PCIe signals
 - Supports mSATA
 - Supports full size Mini PCIe card
- 1 DFI Proprietary Extension Bus for PCIe/PCI expansion

ONBOARD GRAPHICS FEATURES

- Intel® HD Graphics
- Display ports: 1 VGA, 1 LVDS
- VGA: resolution up to 1920x1200 @ 60Hz
- LVDS: NXP PTN3460, 24-bit, dual channel, resolution up to 1920x1200 @ 60Hz
- Supports hardware acceleration for DirectX 11, OCL 1.2, OGL 4.0, H.264, MPEG2, MVC, VC-1, WMV9 and VP8 (supported version dependent on OS)

ONBOARD LAN FEATURES

- 2 Intel® I210 PCI Express Gigabit Ethernet controllers
- Integrated 10/100/1000 transceiver
- Fully compliant with IEEE 802.3, IEEE 802.3u, IEEE 802.3ab

SERIAL ATA INTERFACE

- 2 SATA 2.0 ports with data transfer rate up to 3Gb/s
 - SATA port 0 provides adequate space for SATA DOM
 - SATA port 1 multiplexed with mSATA (Mini PCIe)
- Integrated Advanced Host Controller Interface (AHCI) controller

TRUSTED PLATFORM MODULE (TPM)*

- Provides a Trusted PC for secure transactions
- Provides software license protection, enforcement and password protection

WATCHDOG TIMER

- Watchdog timeout programmable via software from 1 to 255 seconds

REAR PANEL I/O PORTS

- 1 DB-9 RS232 serial port
- 1 DB-15 VGA port
- 2 RJ45 LAN ports
- 1 USB 2.0 port
- 1 USB 3.0 port

I/O CONNECTORS

- 1 connector for 2 external USB 2.0 ports
- 1 vertical USB 2.0/1.1 port
- 3 connectors for 3 external serial ports (2.0mm pitch)
 - 1 RS232/422/485 (RS232 and/or power)
 - 2 RS232
- 1 LVDS LCD panel connector
- 1 LCD/inverter power connector
- 1 8-bit Digital I/O connector
- 1 Digital I/O power connector
- 1 LAN LED connector
- 1 LPC connector
- 2 Serial ATA connectors
- 1 24-pin ATX power connector
- 1 front panel connector
- 1 chassis intrusion connector
- 2 fan connectors

BIOS

- AMI BIOS
- 64Mbit SPI BIOS

ENERGY EFFICIENT DESIGN

- Supports ErP Lot6 power saving*
- Supports ACPI
- System Power Management
- Wake-On-Events include:
 - Wake-On-USB KB/Mouse*
 - Wake-On-LAN
 - Wake-On-PS2 KB/MS*
 - RTC timer to power-on the system
- AC power failure recovery

DAMAGE FREE INTELLIGENCE

- Monitors CPU/system temperature and overheat alarm
- Monitors VCORE/12V/5V/DDR voltages and failure alarm
- Monitors CPU/system fan speed and failure alarm
- Read back capability that displays temperature, voltage and fan speed

POWER CONSUMPTION

- BT160-BN-E45: 10.75W with E3845 at 1.91GHz and 2x 2GB DDR3L SODIMM

OS SUPPORT

- Windows 7 Ultimate x86 & SP1 (32-bit)
- Windows 7 Ultimate x64 & SP1 (64-bit)
- Windows 8 Enterprise x86 (32-bit)
- Windows 8 Enterprise x64 (64-bit)
- Windows 8.1 Enterprise x86 (32-bit)
- Windows 8.1 Enterprise x64 (64-bit)
- Windows 8.1 Embedded Pro x86 (32-bit)
- Windows 8.1 Embedded Pro x64 (64-bit)

Note: Windows 10 will be available upon request. Please contact DFI for more information.

TEMPERATURE

- Operating: 0°C to 60°C
- Storage: -40°C to 85°C

HUMIDITY

- 5% to 90%

DIMENSIONS

- Mini-ITX form factor
- 170mm (6.7") x 170mm (6.7")

CERTIFICATION

- CE, FCC Class B, RoHS

► Ordering Information

| Model Name | Processor | Memory | RS232 | RS232/422/485 | Power | Thermal | Temperature |
|--------------|---|----------|-------|---------------|------------|---------|-------------|
| BT160-BN-E26 | Intel® Atom™ E3826, Dual Core, 1M Cache, 1.46GHz, 7W | 2 SODIMM | 3 | 1 | 24-pin ATX | Fanless | 0°C to 60°C |
| BT160-BN-E45 | Intel® Atom™ E3845, Quad Core, 2M Cache, 1.91GHz, 10W | 2 SODIMM | 3 | 1 | 24-pin ATX | Fanless | 0°C to 60°C |
| BT160-BN-J00 | Intel® Celeron® J1900, Quad Core, 2M Cache, 2GHz (2.42GHz), 10W | 2 SODIMM | 3 | 1 | 24-pin ATX | Fanless | 0°C to 60°C |

The following specifications will be available upon request. Please contact your sales representative for more information.

| Model Name | Temperature | Processors |
|------------|----------------|---|
| BT160 | - B | - E45 |
| | B: 0°C to 60°C | E45: Intel® Atom™ E3845, Quad Core, 2M Cache, 1.91GHz, 10W E26: Intel® Atom™ E3826, Dual Core, 1M Cache, 1.46GHz, 7W J00: Intel® Celeron® J1900, Quad Core, 2M Cache, 2GHz (2.42GHz), 10W |

► Packing List

| | |
|---------------------------|-----------------|
| • 1 BT160 motherboard | |
| • 1 Serial ATA data cable | 332-553001-005G |
| • 1 Heat sink | A71-010026-000G |

► Optional Items

| | |
|-------------------------|-----------------|
| • USB port cable | 332-253010-026G |
| • COM port cable | A81-015001-001G |
| • Serial ATA data cable | 332-553001-005G |
| • I/O shield | A49-BT1600-000G |