

Bläde  
by aquabocci



ALL NEW DESIGN  
A SHOWER DRAIN THAT  
IS SPECTACULAR OUTSIDE  
AND BRILLIANT INSIDE



Watch the video @:  
[aquabocci.com.au](http://aquabocci.com.au)



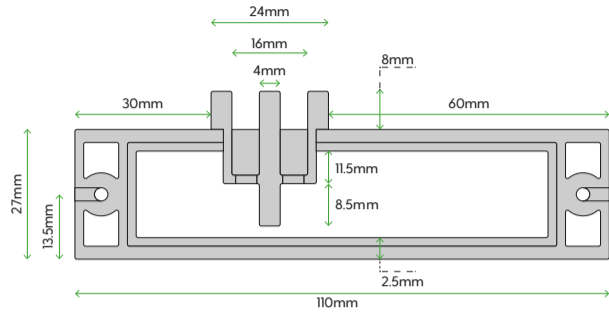
THE WORLD'S MOST VERSATILE DRAINAGE SYSTEMS



# Blade Shower Kit

Drains are not just about draining water. Sleek, shallow and stylish. The Blade drain is the ultimate bathroom design accessory. Specially designed fittings and attachments allow it to be installed in almost any application. The PVC channel and Blade grate can be cut to any length for a precise installation. The unique Aquabocci spacer system allows you to adjust the height of the Blade grate to match any tile or stone thickness. The smooth metal surface is available in 4 custom colours giving you the freedom to match or contrast your design.

## Profile



## Performance and finish

LOCATIONS	Wet Rooms, Shower areas
FLOW RATES	Up to 29 litres per minute with 2 spigot outlets
SLIP RATING	Optional Aquabocci WunderGrip (CSIRO R-13). Non Slip finish available on all Aquabocci products
ANTI CORROSION	Guaranteed not to rust, corrode or tea stain around salt water or chlorine
HEELGUARD SAFE?	Yes
FUNCTION	Can be cut to any length
AQUABOCCI CUSTOM	4 colours available

## 1200mm Shower Kit Includes:

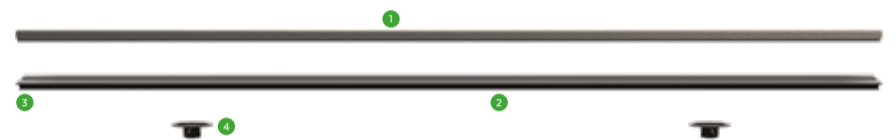


- 1 Grate
- 2 PVC channel
- 3 End cap with EPDM seal and screws
- 4 Spigot can be fixed in any location along channel

## COLOUR

- GT SILVER
- TITANIUM
- BLACK
- CHAMPAGNE

## 2400mm Shower Kit Includes:



- 1 Grate
- 2 PVC channel
- 3 End cap with EPDM seal and screws
- 4 Spigot can be fixed in any location along channel

## COLOUR

- GT SILVER
- TITANIUM
- BLACK
- CHAMPAGNE



## A WALK IN WET ROOM WITHOUT A SHOWER SCREEN

The Double Blade Drainage solution was first suggested to us by a Miami architect who was looking to develop completely open plan wet rooms for a high rise development on Miami Beach USA.

The client loved the minimal look of our Blade Drain so together we have developed a double drainage solution with a flow rate of 50 litres per minute. This innovative technique allows for the use of power showers and removes the need for an obtrusive shower screen.

If you would like to achieve this look and function then you will need to install the first blade drain across the shower threshold which acts as a water barrier, the floor finish is then sloped towards a second blade drain along the back wall which operates as the main drainage unit.

Blade  
by aquabocci