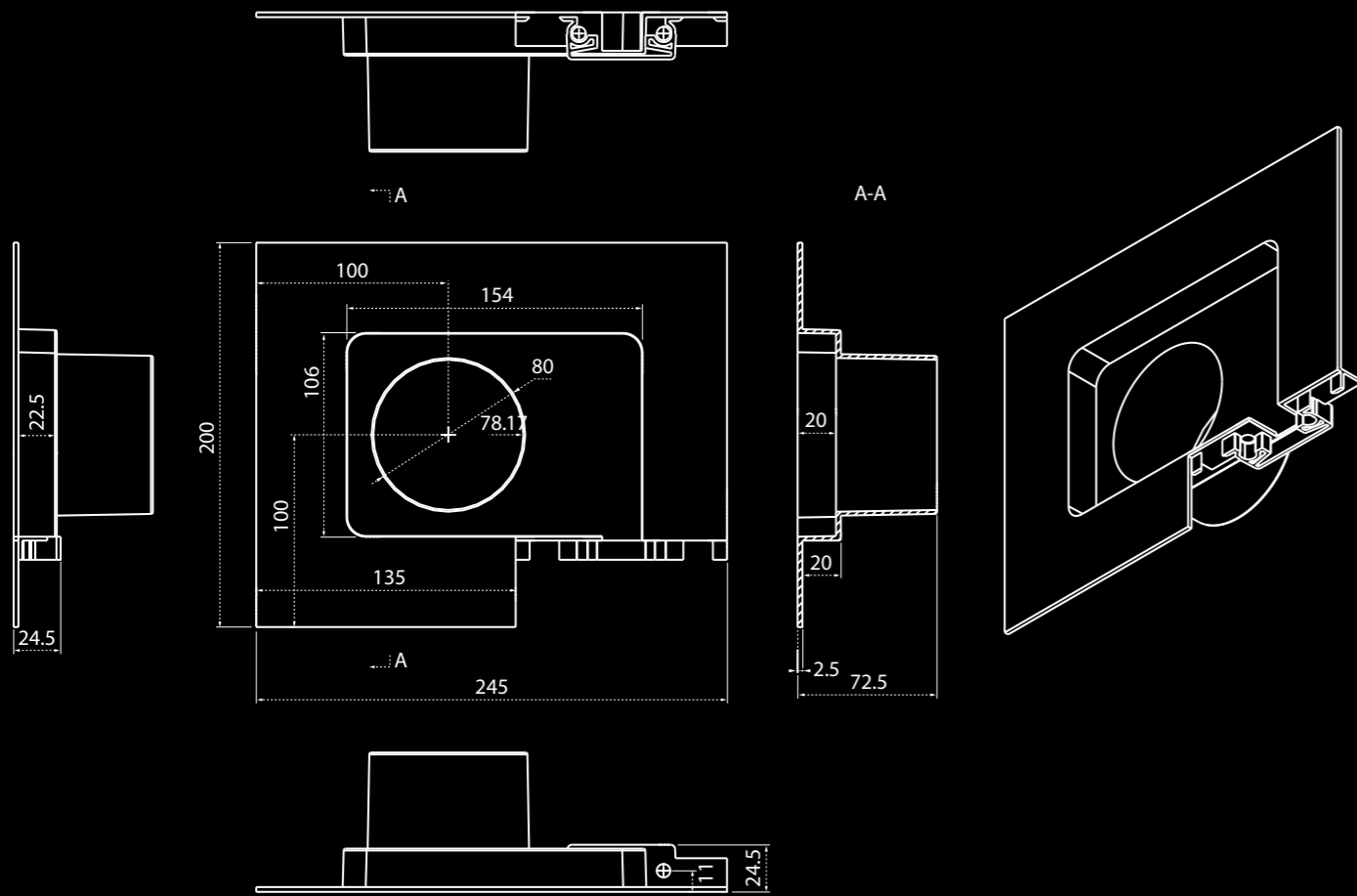


BLADE-A

THE ONLY SHOWER SLOT DRAIN WITH AN 80MM/3.15" ACCESS PANEL. NOW YOU CAN HAVE THE SLEEK LOOK OF A BLADE SLOT DRAIN WITH THE EASY MAINTENANCE OF A LARGER DRAIN.



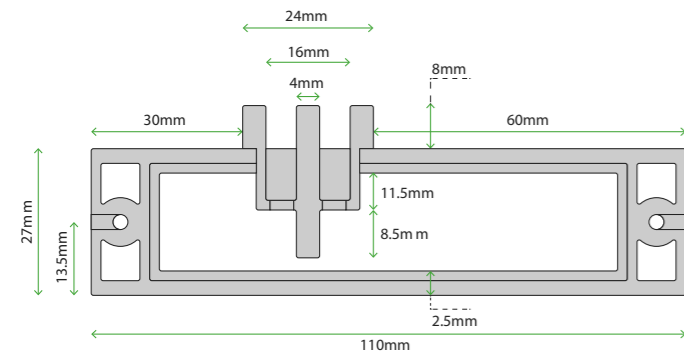
Blade-A Shower Systems

The Blade-A Drain has been specifically developed for shower applications in the Australian market. The challenge was to add an 80mm/3.15" hand access panel to our existing Blade shower drain, without compromising the sleek Blade design.

The solution was to design a new fitting that connects to our Blade drain to create an invisible 80mm/3.15" hand access panel.

The result has allowed us to maintain the exact look and feel of our Blade drain, using a totally new technique to discharge the water.

Profile



NEW
DEVELOPED
FOR AUS
MARKET



Colours



GT Silver



Titanium

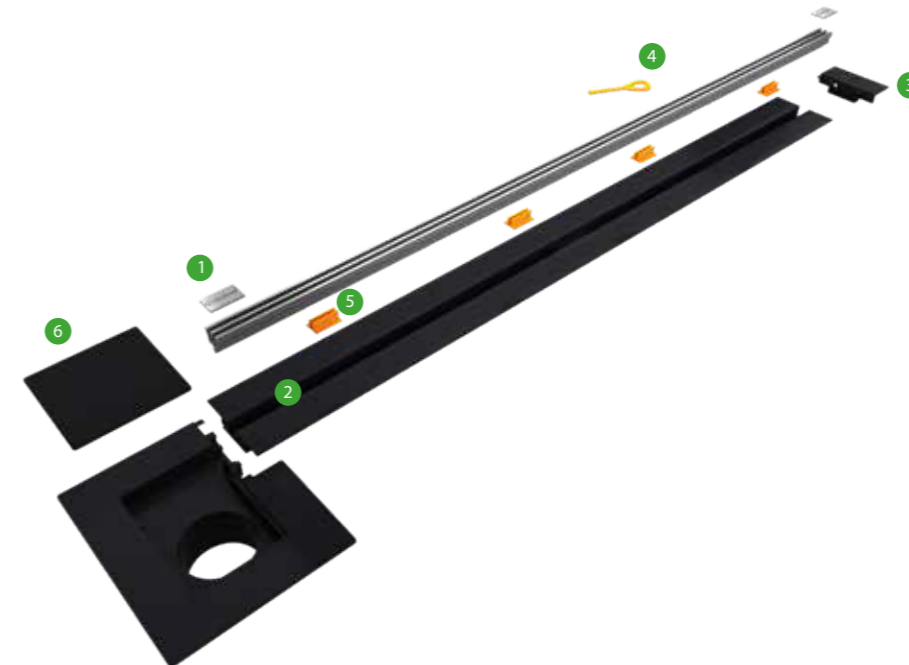


Black



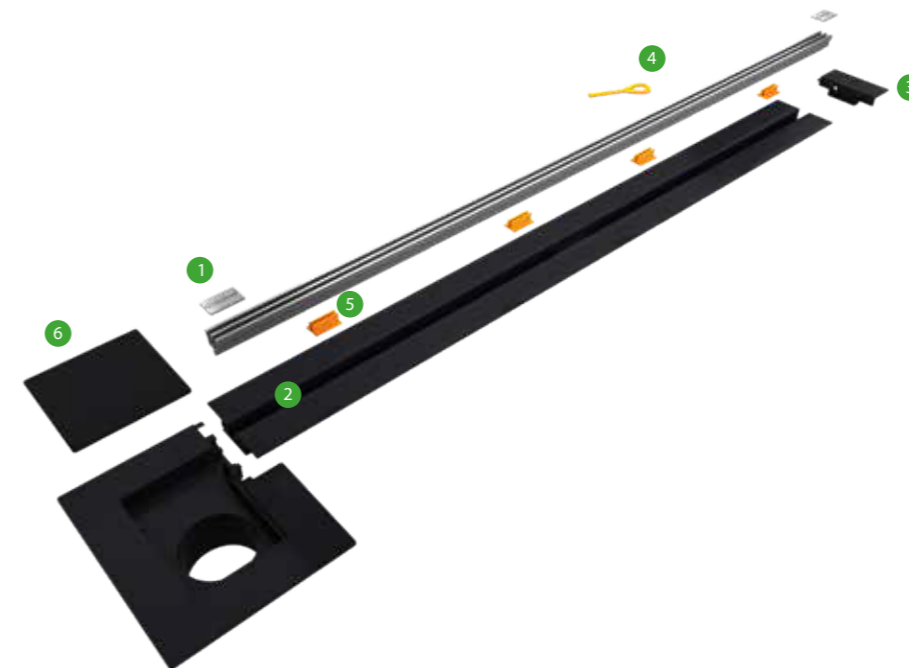
Champagne

1200mm/47.25" Shower Kit Includes:



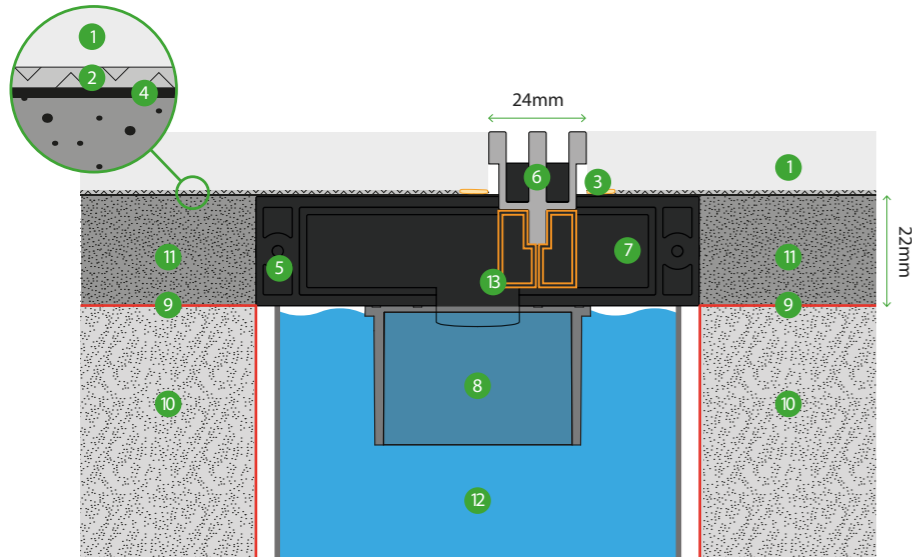
- 1 Marine grade 25 micron lid
- 2 Plastic channel
- 3 End cap with EPDM rubber seal and screws
- 4 Lifting tool
- 5 Height adjustable spacers (for varying tile thickness)
- 6 80mm/3.14" Hand access panel

2400mm/94.49" Shower Kit Includes:



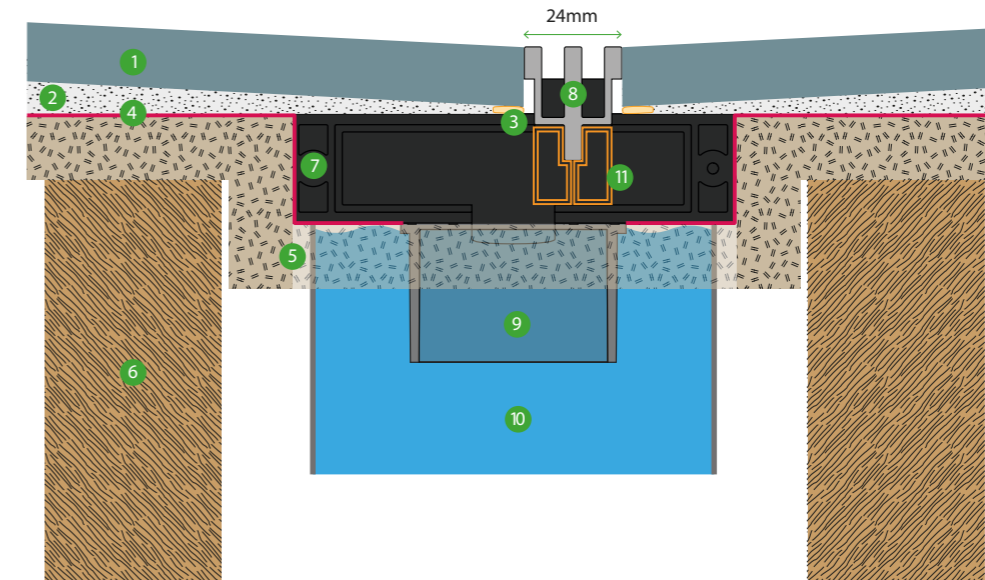
- 1 Marine grade 25 micron lid
- 2 Plastic channel
- 3 End cap with EPDM rubber seal and screws
- 4 Lifting tool
- 5 Height adjustable spacers (for varying tile thickness)
- 6 80mm Hand access panel

Slab Installation



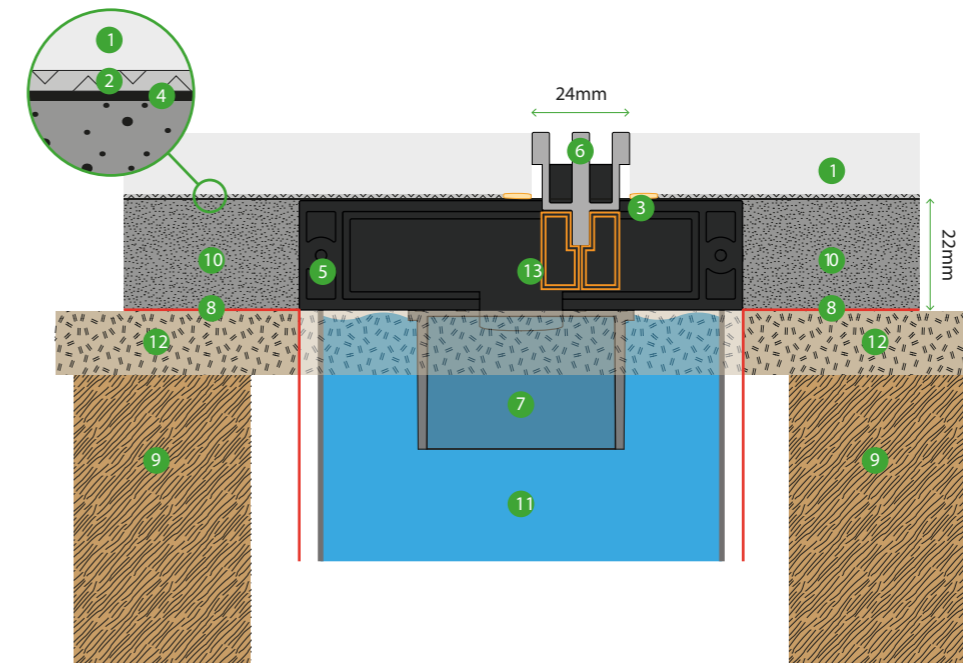
- 1 Tile
- 2 Tile adhesive
- 3 Silicon joint
- 4 Waterproof tape (Optional)
- 5 BLADE extrusion channel
- 6 BLADE removable top
- 7 Height adjustable tile spacer
- 8 Spigots available to fit 50mm, 75mm, 90mm and 100mm
- 9 Waterproof membrane
- 10 Concrete slab
- 11 Screed
- 12 Pipe 50 mm, 80 mm or 100 mm
- 13 Height adjustable tile spacer

Timber Installation without Mortar Screed



- 1 Tile
- 2 C2 Tile adhesive
- 3 Silicon joint
- 4 Waterproof membrane
- 5 Plywood supports plastic channel
- 6 Timber joist
- 7 BLADE extrusion channel
- 8 BLADE removable top
- 9 Spigots available to fit 50 mm, 75mm, 90mm and 100 mm
- 10 Pipe 50mm, 80mm or 100mm
- 11 Height adjustable tile spacer

Timber Installation with Mortar Screed



- 1 Tile
- 2 Tile adhesive
- 3 Silicon joint
- 4 Waterproof tape (Optional)
- 5 BLADE extrusion channel
- 6 BLADE removable top
- 7 Spigots available to fit 50 mm, 75mm, 90mm and 100 mm
- 8 Waterproof membrane
- 9 Timber joist
- 10 Screed
- 11 Pipe 50 mm, 80 mm or 100 mm
- 12 Plywood supports plastic channel
- 13 Height adjustable tile spacer