

# VOYAGER



## SPACE SHOES

USER MANUAL

HOVER-S1010

# INTRODUCTION

Thank you for purchasing the Voyager Space Shoes and welcome to the Voyager family. We hope that you'll do plenty of exploring with your new Space Shoes. The Space Shoes are like motorized roller-blades. The shoes operate like a hoverboard split into two pieces and they move in the direction you lean in. Please enjoy your new Space Shoes responsibly and be sure to read the entire instruction manual before your first use. Have a blast, be safe and **Get Moving!**

# SPECIFICATIONS

- Motor Power: 320 W
- Battery: 10 Cell (36V/2Ah)
- Max Speed: ~6.2 Miles
- Max Rider Capacity: 200 lbs
- Max Climbing Ability: 10°
- Solid Tire Size: 6.5 IN
- Operating Temperature: 14-104°F (-10-40°C)
- Charge Time: ~3 Hours
- Ride Time: ~40 Minutes

# IN THE BOX

- Space Shoes
- Charging Cable
- User Manual & Warranty Information

# CAUTION

As with any hoverboard, whenever you ride your Space Shoes you may risk death or serious injury from loss of control, collision or falls. All riders should read, understand and take heed of the instructions in the user guide when riding.

## SAFETY PRECAUTIONS

When using your Voyager Space Shoes, basic safety precautions should always be followed, including the following:

### BEFORE RIDING

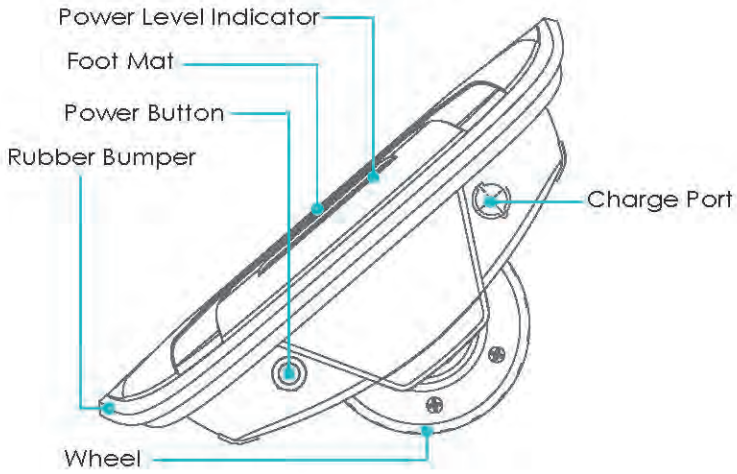
1. READ ALL INSTRUCTIONS BEFORE USING YOUR SPACE SHOES.
2. Rider weight should not exceed 200lbs.
3. Do not ride bike in temperatures below 14°F.
4. Do not let children use your Space Shoes.
5. Do not ride if you are pregnant. Ask a doctor before riding if you have any health conditions.
6. Never immerse the shoes in water.
7. Always wear a safety helmet, elbow and knee pads to avoid injury.
8. Do not let anyone ride your Space Shoes on his/her own unless he/she has carefully read this manual. Assist new riders until they are comfortable with the basic operation of the Space Shoes and ensure that new riders wear a safety helmet and other protective gear.
9. Wear proper footwear when riding. Never go barefoot when riding.
10. Never use the Space Shoes with more than one rider.
11. Riders under the age of 16 years old should ride with adult supervision.
12. When charging the battery, only use the supplied charging cable included with your device.
13. Do not disassemble parts.
14. Do not ride if you notice any defects or irregularities. Contact the manufacturer or a certified technician immediately for support.

### WHILE RIDING

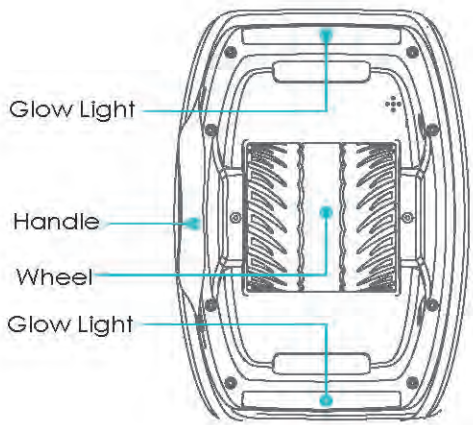
1. When riding your Space Shoes, obey local traffic laws.
2. Do not ride your Space Shoes while under the influence of any medication, alcohol, or drugs which can cause impairment.
3. Do not attempt to do any tricks while riding. Furthermore, do not ride over rough terrain, icy roads, or uneven surfaces.
4. Respect pedestrians by always yielding the right of way. When approaching a pedestrian from the front, stay to the right and slow down. Avoid startling pedestrians. When approaching from behind, announce yourself and slow down to walking speed when passing. Pass on the left whenever possible.
5. Do not ride in the snow, in the rain, or on roads which are wet, muddy, icy, or slippery for any reason. Do not ride over obstacles including, but not limited to sand, loose gravel, or sticks.
6. Do not use your Space Shoes at night or in areas of low visibility.
7. Always power off your Space Shoes when it is not in use.
8. Do not ride Space Shoes near stairs or bodies of water.

# A CLOSER LOOK

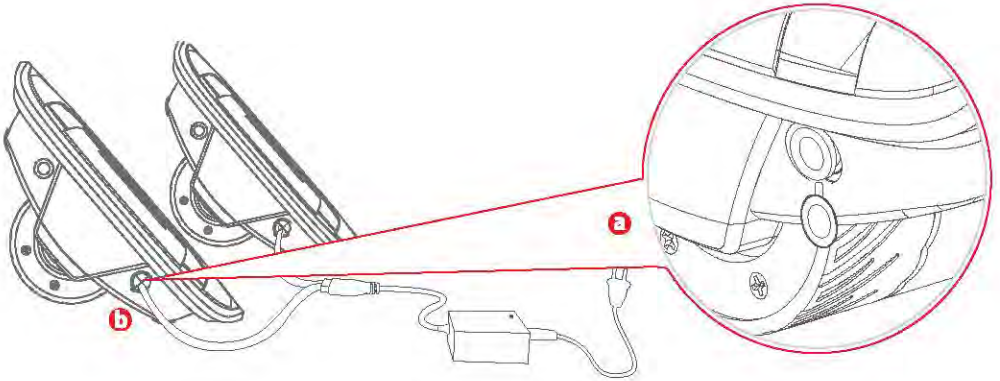
## Side View



## Bottom View



# CHARGING



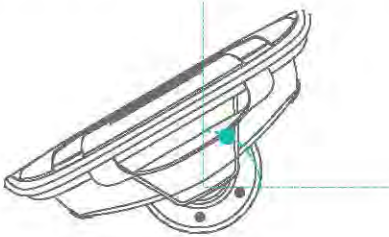
1. Remove the rubber cap from each shoe.
2. The charger splits into two wires to charge each shoe. Plug into the charge port.
3. When the LED on the charger changes from red (charging) to green, charging is complete.

# RIDING

Only power the Space Shoes on when they are on the ground. Do not pick them up and power them on.

Riders must weigh between 20-200 lbs (10-90 kg)

Riders must always wear protective gear before stepping on to the Space Shoes.



1. When powered on, the Space Shoes will enter Standby Mode.

Before stepping on, you want to set them on Balance Mode. Gently touch the tilted end to enter standby mode.

If a rider is not detected within 3 minutes after entering Balance Mode, the Space Shoes will power off automatically.

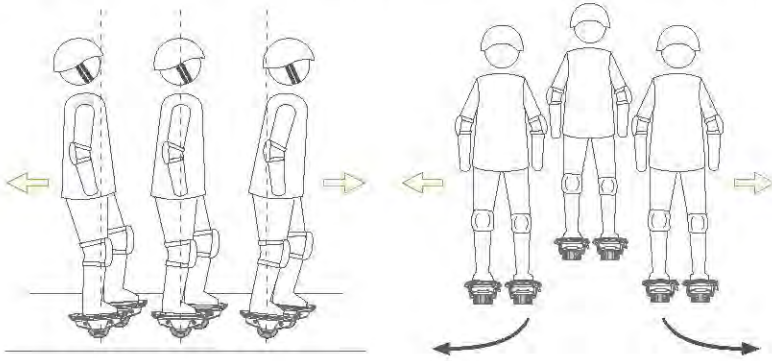


2. Ask a friend to assist you on your first ride. Go to a large open area. Place the pair of Space Shoes shoulder width apart.

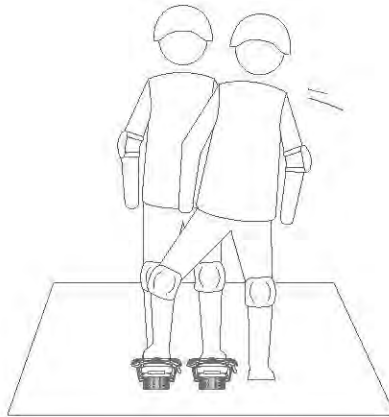


3. With your friend's assistance, put one foot on the middle of the foot mat. When comfortable, stand straight and look straight ahead while stepping up with your other foot. Try to avoid rocking back and forth.

## RIDING (CONTINUED)



4. With your friend nearby, slowly lean forward and feel the Space Shoes move forward. Slowly lean backward and feel it move backwards. Turn your whole body left or right gently to turn the Space Shoes.



5. To step off, gently slow down to a controlled stop. Slowly shift your weight to one foot and place your opposite foot on the ground.

# MAINTENANCE

## Calibration

When in Balance Mode, if the Space Shoes move forward or backward on its own on flat ground, it needs to be calibrated.

Power off the Space Shoes and place upside down on flat ground. Press and hold the power button for 5 seconds until you hear it beep 3 times. This will complete the calibration.

## Alarms

### A. Overheating

Riding for an extended period of time could increase the internal temperature of your Space Shoes in excess of 122°F(50°C). If this happens, the glow lights will flash red, an alarm will sound and your Space Shoes will not be able to charge. Simply step off the Space Shoes, power them off and give them time to cool back down to a normal operating temperature.

To avoid injury, do not touch or ride the Space Shoes while the alarm sounds and the lights glow flash red.

### B. Other Alarms

For any other alarms, try restarting your Space Shoes.

## Cleaning & Storing

Use a soft, wet cloth to wipe the mainframe clean. Stubborn dirt can be scrubbed with a toothbrush and toothpaste and then cleaned with a soft, wet cloth.



# FCC COMPLIANCE

Changes or modifications not expressly approved by the party responsible for compliance could void the user's authority to operate the equipment.

This device complies with Part 15 of the FCC Rules. Operation is subject to the following two conditions: (1) this device may not cause harmful interference, and (2) this device must accept any interference received, including interference that may cause undesired operation.

This equipment has been tested and found to comply with the limits for a Class B digital device, pursuant to Part 15 of the FCC Rules. These limits are designed to provide reasonable protection against harmful interference in a residential installation. This equipment generates, uses and can radiate radio frequency energy and, if not installed and used in accordance with the instructions may cause harmful interference to radio communications. However, there is no guarantee that interference will not occur in a particular installation.

If this equipment does cause harmful interference to radio or television reception, which can be determined by turning the equipment off and on, the user is encouraged to try to correct the interference by one or more of the following measures:

- Reorient or relocate the receiving antenna.
- Increase the separation between the equipment and receiver.
- Connect the equipment into an outlet on a circuit different from that to which the receiver is connected.

# WARRANTY

This warranty covers the original consumer purchaser only and is not transferable.

This warranty covers products that fail to function properly UNDER NORMAL USAGE, due to defects in material or workmanship. Your product will be repaired or replaced at no charge for parts or labor for a period of one year.

## What Is Not Covered by Warranty

Damages or malfunctions not resulting from defects in material or workmanship and damages or malfunctions from other than normal use, including but limited to, repair by unauthorized parties, tampering, modification or accident.

## To Obtain Warranty Service and Troubleshooting Information:

Call (855)-292-4087 in the U.S. or visit our website at [www.ridevoyager.com](http://www.ridevoyager.com).

To receive Warranty service along with the name and address of an authorized product service center, the original consumer purchaser must contact us for problem determination and service procedures. Proof of purchase in the form of a bill of sale or receipted invoice, evidencing that the product is within the applicable Warranty period(s), MUST be presented in order to obtain the requested service. It is your responsibility to properly package and send any defective products along with a dated copy of proof of purchase, a written explanation of the problem, and a valid return address to the authorized service center at your expense. Do not include any other items or accessories with the defective product. Any products received by the authorized service center that are not covered by warranty will be returned unrepai red.

# LOCAL LAWS

Prior to purchasing any motorized vehicle, we highly recommend that you research your local regulations and country-specific laws. Ultimately, you are responsible for complying with all applicable laws and regulations. Voyager waives all liability relating to your use of Voyager products.

# NOTES

---

---

---

---

---

---

---

---

---

---

---

---

---

---

---

**RIDEVOYAGER.COM**