



Job _____ Item No. _____

Star-Max® Gas Charbroiler

Lava Rock 6015CBF 6024CBF 6036CBF 6048CBF

Radiant 6115RCBF 6124RCBF 6136RCBF 6148RCBF



6136RCBF

DESCRIPTION

Star-Max radiant and lava rock charbroilers are designed to provide excellent heating and control when preparing a wide variety of products. The units are designed with durability and flexibility in mind with cast burners and a control knob for each twelve [12] inch (304mm) section. The grates have been designed to hold a high capacity of product for maximum efficiency under demanding cooking situations.

SPECIFICATIONS

The Star-Max® radiant and lava rock gas charbroilers will be constructed in the U.S.A. and feature stainless front panel, bull nose, drip pan, splash guard, and grease trough. The charbroilers will either use lava rocks or heavy-duty radiants to transfer heat to product. Grates will be adjustable per section to be enclined or flat. The units will have cast iron burners which will produce 40,000 BTUs on natural gas or 35,000 BTUs on propane per burner. Each 12-inch (305 mm) burner will have its own individual control. Charbroilers will be supplied with 4-inch (102 mm) tall nickel-plated legs with 1.325-inch (34 mm) of adjustment. The standard gas connection will be 3/4-inch N.P.T. Units will be shipped being set up for natural gas, and will include field conversion kit for LP gas. For lava rock models, a five [5] pound (2.27 kg) bag of lava rocks will be provided for each twelve [12] inches (305 mm) of width.

FEATURES

- High performance 40,000 BTU H-style cast iron burner for each 12-inch (305 mm) of width
- Grates can be adjusted independently in 6-inch sections to be flat or enclined and are reversible with a thin side for searing and a thick side for more delicate menu items [6015 and 6115 models use one additional 2.7-inch wide grate]
- Heavy gauge stainless steel radiants contoured for even heat distribution
- Cool-to-the-touch stainless steel bullnose protects knobs and keeps work area comfortable
- Stainless steel 2.75-inch (70 mm) high tapered splash guard and large capacity water pan for easy cleanup
- Heavy-duty metal knobs look great and are designed to last

OPTIONS & ACCESSORIES

- Equipment stands
- Replacement lava rocks [60xx-series models only, part number LR-SM8]

CERTIFICATIONS



GAS-FIRED



STAR MANUFACTURING INTERNATIONAL INC.

10 Sunnen Drive • Saint Louis, Missouri 63143
Telephone 800 264 7827 • Fax 314 781 5445
www.star-mfg.com

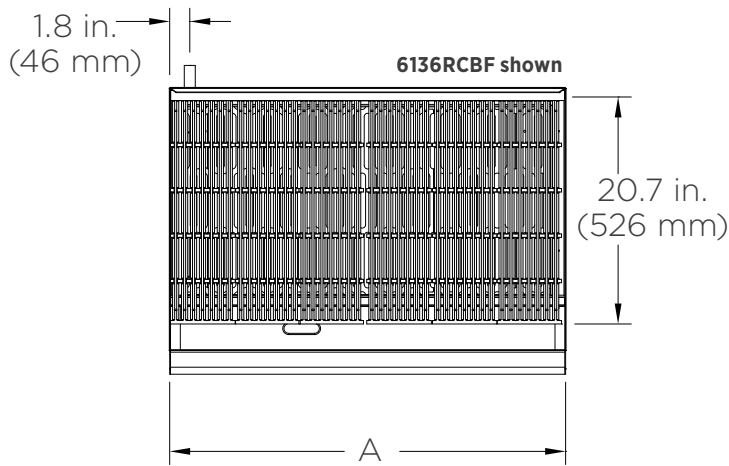
Printed in the U.S.A. • 2M-Z22097 • Rev - • 01.2017
Specifications are subject to change without notice
and are not intended for installation purposes.



Star-Max® Gas Charbroiler

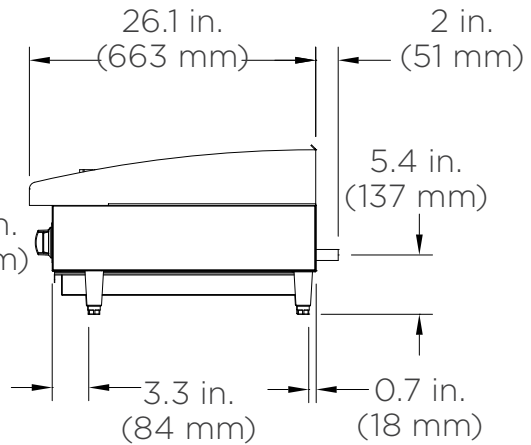
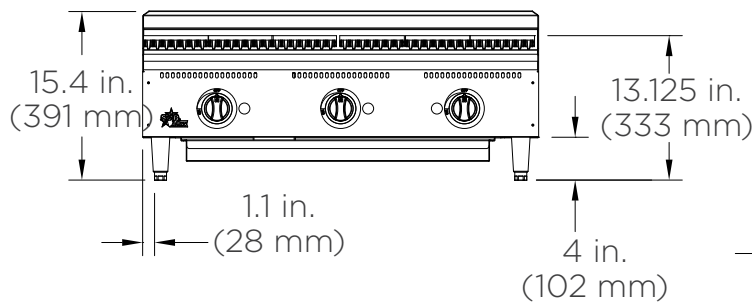
Lava Rock □6015CBF □6024CBF □6036CBF □6048CBF

Radiant □6115RCBF □6124RCBF □6136RCBF □6148RCBF



CLEARANCES

These units can be installed in non-combustible locations using the provided four [4] inch (102 mm) legs. The back and both sides must be at least six [6] inches (152 mm) from any combustible surface.



WEIGHT SHOWN BELOW AS LAVA ROCK/RADIANT

| MODEL | HEIGHT ¹ in. (mm) | WIDTH [A] in. (mm) | DEPTH ² in. (mm) | BTU ³ NATURAL GAS (LP) | GRATE AREA | APPROX. SHIP WEIGHT | APPROX. WEIGHT INSTALLED |
|---------------------|------------------------------------|--------------------------|-----------------------------------|---|-------------------------------------|--|--|
| 6015CBF 6115RCBF | 15.4 (391) | 15 (381) | 28.1 (736.6) | 40,000 (35,000) | 261 square in. (1,684 square cm) | 121 lb./103 lb. (54.9 kg/46.7 kg) | 97 lb./80 lb. (44 kg/36.3 kg) |
| 6024CBF 6124RCBF | 15.4 (391) | 24 (610) | 28.1 (736.6) | 80,000 (70,000) | 496 square in. (3,200 square cm) | 219 lb./166 lb. (99.3 kg/75.3 kg) | 189 lb./140 lb. (85.7 kg/63.5 kg) |
| 6036CBF 6136RCBF | 15.4 (391) | 36 (914) | 28.1 (736.6) | 120,000 (105,000) | 743 square in. (4,794 square cm) | 309 lb./262 lb. (140.2 kg/118.8 kg) | 268 lb./220 lb. (121.6 kg/99.8 kg) |
| 6048CBF 6148RCBF | 15.4 (391) | 48 (1,219) | 28.1 (736.6) | 160,000 (140,000) | 992 square in. (6,400 square cm) | 402 lb./351 lb. (182.3 kg/159.2 kg) | 351 lb./300 lb. (159.2 kg/136.1 kg) |

¹Adjustable up 1.325 in (34 mm)

²Before regulator is attached

³Shipped set up for natural gas, with conversion kit for LP

Due to periodic changes in designs, methods, procedures, policies and regulations, the specifications contained in this sheet are subject to change without notice. While Star Manufacturing exercises good faith efforts to provide information that is accurate, we are not responsible for errors or omissions in information provided or conclusions reached as a result of using the specifications. By using the information provided, the user assumes all risks in connection with such use.



STAR MANUFACTURING INTERNATIONAL INC.

10 Sunnen Drive • Saint Louis, Missouri 63143
Telephone 800 264 7827 • Fax 314 781 5445
www.star-mfg.com

Printed in the U.S.A. • 2M-Z22097 • Rev - • 01.2017
Please refer to the owner's manual for information regarding installation or use.