

Model: PGM7 **Reach-In: 1 full door refrigerator - Propane refrigerant gas**

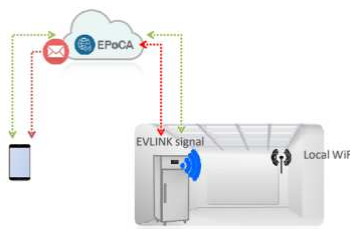


Standard Features:

- **GOLD LINE PROPANE**
Is designed with enduring quality that will improve the efficiency and production of your restaurant. Constructed with stainless steel AISI 304 interior & exterior.
- **FRONTPANEL**
Embossed frontpanel hinged to facilitate the routine maintenance
- **INTERIOR and EXTERIOR**
Durable, s/s AISI 304 stainless steel.
- **REFRIGERANT GAS**
Environmentally friendly R290 (Propane)
- **LEGS**
Adjustable stainless steel legs
- **POWER CORD**
Cord and plug included
- **SHELVING**
Nr. 3 epoxy coated wire shelf standard, installed per full door section.
- **TEMPERATURE CONTROLLER**
Electronic digital controller .
- **INSULATION**
Ciclopentane High density foamed in place environmentally friendly.(75mm) Kyoto Protocol Compliant:
ODP = 0 (Ozone Depletion Potential)
GWP = 5 (Global Warming Potential) polyurethane keeps energy costs low.
- **LIGHT**
Internal LED light as standard
- **KEY LOCK**
Key lock as standard
- **Wi-Fi CONNETIVITY**
Wi-Fi connectivity for the integration with the EPOCA cloud platform for remote assistance



Frontpanell hinged



Epoca Cloud assistance



Magnetic removable gasket without tools



Digital controller



Internal bottom made in S/S with stamped rounded corners to facilitate the cleaning procedures.



Embossed guides

*Specification may change without prior notice

Model	Capacity Lt / ft³	Ambient temp. °C/°F	Cabinet / Packing Dimensions			Voltage	Amps	Shipping Weight
PGM7	700 / 24,72	40° / 104°	mm / inches			230/50/1	1,5	120kg/265Lbs
Temp. °C / °F	Cooling Power W	Absorbed Power W	L	D	H	Plug	Shelves	Gas
-2° , 8° C 28° , 46° F	350	190	68,5 (cm) 26 7/8"	80 (cm) 31 1/2"	209(cm) 82 9/32"	Schuko 16A	3	R290
			74 (cm) 29 1/3"	84 (cm) 33 1/2"	225(cm) 88 19/32"			

Construction specifications:

DESIGN

Desmon reach-in are manufactured in Italy with enduring ergonomic features to protect your long term investment. Designed using the highest technologies, quality materials and components to provide the user with colder product temperatures, lower utility costs, exceptional food safety and the best value in today's food service marketplace.

CABINET CONSTRUCTION

All made in stainless steel AISI 304, unique in the market place. The finest stainless available; latest generation, higher tensile strength for fewer dents and scratches. .
 Higher insulation (75mm) rates thanks to high-tech environmentally friendly CFC free, Cyclopentane foaming keeping insulation properties longer than other foams. 5% of energy consumption savings guarantee if compared to other CFC free foams.
 Interior - attractive stainless steel Aisi304, "rounded corners".

REFRIGERATION SYSTEM

Factory engineered, monoblock system using environmentally friendly (HCFC free) R290 (Propane).
 Evaporator coil & condenser balanced for low power consumption - holding the widest temperature range in its class: Temperature Range, getting the best in food preservation: Coolers adjustable from (-2°C to 8°C / 28.to 46°F).
 Sealed, cast iron, self-lubricating evaporator fan motor(s) and larger fan blades with a more efficient low velocity, high volume airflow design. Ensuring faster temperature recovery and shorter run times in the busiest of food service environments.

DOORS

Stainless steel exterior and interior.
 Guaranteed door handle.
 Magnet Seal
 Gasket of one piece construction, removable without tools for ease of cleaning.

SHELVING

Nr. 3 heavy duty PVC coated wire 530x650 20 55/64"x25 19/32" included per each door

MODEL FEATURES

1 digital display adjustable with alarms.
 Evaporator is epoxy coated to eliminate the potential of corrosion.
 "Rounded Corners"

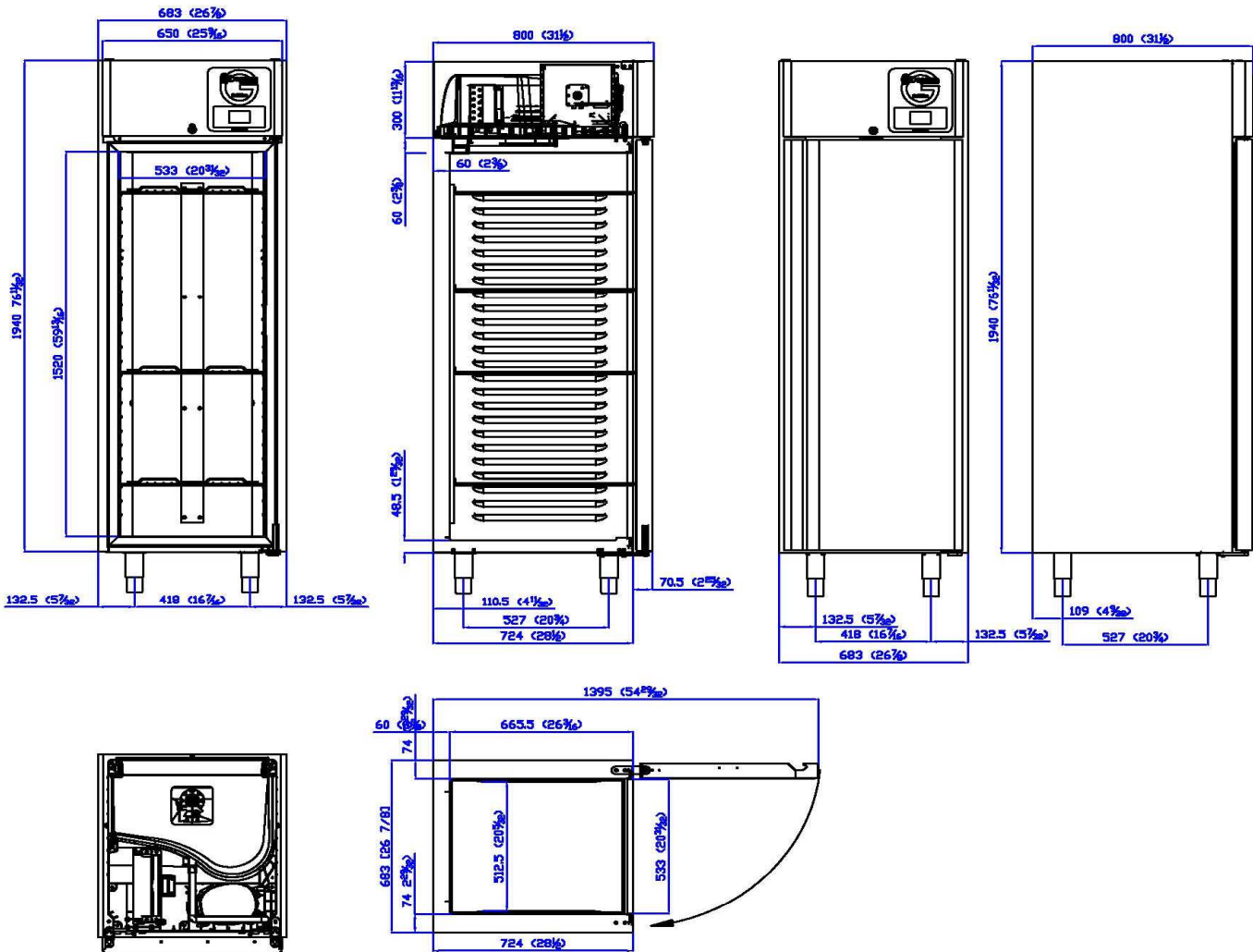
LIGHTING

LED lighting - lights activated by micro-switch mounted above door.

ELECTRICAL

Unit completely pre-wired at factory and ready for final connection to a dedicated outlet.
 Cord and plug set included
 Voltages:
 230V/50Hz/1 phase

Architect Corner



Project Name: _____
Location: _____
Item: _____ Quantity: _____
Date: _____

Options:

The following options are available for this model. The model name will be modified with adding some extensions indicating the installed options:



- **Swivel (lockable) castors** : Name extension "CS" (ex. PGM7CS) *



- **S/S flanged legs**: Name extension "PF" (ex. PGM7PF)

- **Door left hinged (right is standard)**: Name extension "LH" (ex. PGM7LH)

- **Product available with voltage 220V/60Hz/1phase**: Name extension "-O" (ex. PGM7-O)

*NOTE: the height of the castor is 155mm.